



magicolor® 6110 Installation Guide

1800645-001A

Thank You

Thank you for purchasing a magicolor 6110. Your magicolor 6110 is specially designed for optimal performance in Windows, Macintosh, and networking environments.

Trademarks

The following are registered trademarks of MINOLTA-QMS, Inc.: QMS, the MINOLTA-QMS logo, Crown, CrownNet, and magicolor.

Minolta is a trademark of Minolta Co., Ltd. Other product names mentioned in this guide may also be trademarks or registered trademarks of their respective owners.

Proprietary Statement

The digitally encoded software included with your printer is Copyrighted © 2001 by MINOLTA-QMS, Inc. All Rights Reserved. This software may not be reproduced, modified, displayed, transferred, or copied in any form or in any manner or on any media, in whole or in part, without the express written permission of MINOLTA-QMS, Inc.

Copyright Notice

This guide is Copyrighted © 2001 by MINOLTA-QMS, Inc., One Magnum Pass, Mobile, AL 36618. All Rights Reserved. This document may not be copied, in whole or part, nor transferred to any other media or language, without written permission of MINOLTA-QMS, Inc.

Notice

MINOLTA-QMS, Inc. reserves the right to make changes to this guide and to the equipment described herein without notice. Considerable effort has been made to ensure that this guide is free of inaccuracies and omissions. However, MINOLTA-QMS, Inc. makes no warranty of any kind including, but not limited to, any implied warranties of merchantability and fitness for a particular purpose with regard to this guide. MINOLTA-QMS, Inc. assumes no responsibility for, or liability for, errors contained in this guide or for incidental, special, or consequential damages arising out of the furnishing of this guide, or the use of this guide in operating the equipment, or in connection with the performance of the equipment when so operated.

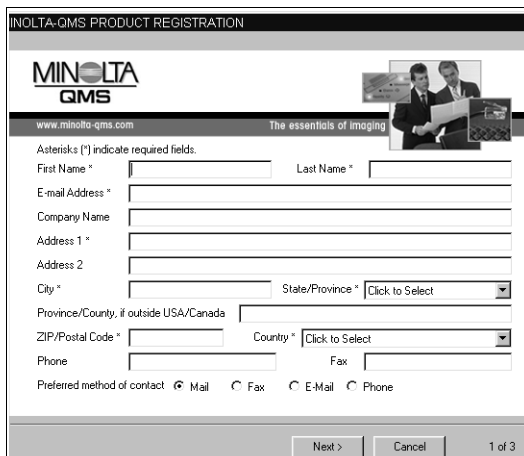
Registering the Printer

Mail—Fill out and send in the registration card enclosed in your shipment or downloaded from www.onlineregister.com/minolta-qms/

Internet—Follow the instructions on www.onlineregister.com/minolta-qms/

or

Software Utilities CD-ROM—Follow the instructions on the CD-ROM.



The image shows a screenshot of a web-based registration form titled "MINOLTA-QMS PRODUCT REGISTRATION". The form includes the MINOLTA-QMS logo and a small image of two people. The registration fields are as follows:

- www.minolta-qms.com | The essentials of Imaging
- Asterisks (*) indicate required fields.
- First Name * [text box] | Last Name * [text box]
- E-mail Address * [text box]
- Company Name [text box]
- Address 1 * [text box]
- Address 2 [text box]
- City * [text box] | State/Province * [Click to Select]
- Province/County, if outside USA/Canada [text box]
- ZIP/Postal Code * [text box] | Country * [Click to Select]
- Phone [text box] | Fax [text box]
- Preferred method of contact: Mail Fax E-Mail Phone
- Navigation: Next > | Cancel | 1 of 3

Contents

Getting Acquainted with Your Printer	5
magicolor 6110 Features	5
Location Requirements	6
Printer Parts	8
Front View	8
Top Internal View	8
Front Internal View	8
Cross Section Side View	9
Rear View	9
Rear Internal View—Transfer Unit	9
Documentation Set	10
Setting up Your Printer	11
Shipment Contents	11
Unpacking the Printer	11
Installing the Toner Cartridges	12
Loading the Media Tray	18
Accessories	19
Plugging in/Turning on the Printer	20
Configuration Menu Overview	21
Menu Chart Conventions	21

Installation* Menu	21
Operator Control Menu	22
Administration Menu	23
Administration/Communications/Resident NIC/ CrownNet Menu	24
Selecting a Message Window Language	24
Printer Control Panel	24
About the Control Panel	26
Message Window	26
Control Panel Indicators	26
Control Panel Keys	27
Menu, Select, Previous, and Next Keys	28
About the Interface Panel	29
Software Utilities CD-ROM	29
Regional Settings	29
Drivers and Utilities	30
Installing Printer Drivers and Software	31
Installing Windows Drivers and Utilities via a Parallel Connection	31
Installing Windows Drivers and Utilities via an Ethernet TCP/IP Interface Configuration	33
Installing Macintosh Drivers and Utilities	35
Installing Drivers and Utilities on UNIX and Others	36
Troubleshooting	37
Solving Problems during Installation	37
Accessories and Consumables	41
Accessories	41
Consumables	43
Regulatory Compliance	44
FCC Compliance Statement	45
EN 55022	45
Canadian Users Notice	46
Laser Safety	46
International Notices	46
Warranty Considerations	47
Manufacturer's Declarations of Conformity	49

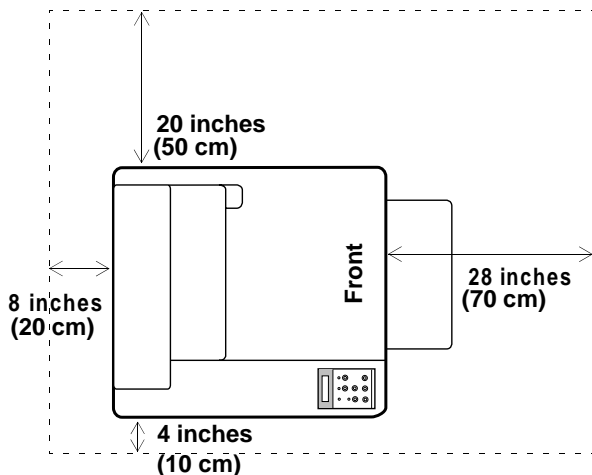
Getting Acquainted with Your Printer

magicolor 6110 Features

Features/Model	GN
Print Speed SPM (Letter/A4)	6/24*
SDRAM	256 MB
Resolution	1200 x 1200 dpi
250-sheet Universal Upper Media Tray	●
250-sheet Letter/A4 Upper Media Tray	○
Standard Interfaces	IEEE-1284 parallel Ethernet Serial RS-232C
Internal IDE Hard Disk	○
Time-of-Day Clock	○
Lower Feeder Unit (each lower feeder unit comes with a 500-sheet media tray)	○
Duplex Unit	○
Cabinet	○
Number of Cartons in Shipment	1
Note	<p>*Sheets per minute (SPM): 6 = color; 24 = monochrome black.</p> <p>The 110 and 220 volt printers ship with an envelope feeder, and the 100 volt printers ship with a postcard feeder.</p> <p>● = Standard ○ = Optional</p>

Location Requirements

Top View



- On a hard, flat, level (1.5° or less slant at any point around the machine) surface capable of supporting the printer, accessories, consumables, and media. Weights are shown below.



A surface can be tested for levelness with a standard round pencil. If the pencil rolls, the surface is not level. Clear the area of any obstruction or items such as cables that might prevent the printer from sitting directly on the flat, level surface.

Component	Weight
Printer	101 lbs (46 kg)
Consumables (such as toner, OPC belt)	11 lbs (5.0 kg) (total)
Media	5.2 lbs (1.9 kg) per ream of 20 lb bond (75 g/m ²) paper
Lower feeder unit (each)	14.8 lbs (6.7 kg)
Duplex unit	5.3 lbs (2.4 kg)

- In an area with an ambient temperature range of 50°–95° F (10°–35° C) and relative humidity range of 20%–80% (noncondensating).
- Away from cooling and heating sources, extreme temperature or humidity changes, direct sunlight, excessive dust, corrosive chemicals

or vapors (such as ammonia), water pipes, refrigerators, and any strong electromagnetic field (such as that created by an air conditioner).

If the printer is located in a cold room that is rapidly heated, or if the printer is moved from a cold place to a warm, humid place, condensation may occur within the printer, degrading print quality. If this occurs, allow the printer to adapt to the environment for about one hour before use.

- Away from open flames or items that can easily burn.
- Away from water.

If using a humidifier or water vaporizer in the room with the printer, use only purified or distilled water. Impurities in the water may be released into the air, where they can accumulate inside the printer and cause degraded printer output.

- Away from items that produce excessive vibration.
- At an altitude of 0–8202' (0–2500 m).
- Near your computer—6.5' (2 m) or less for an IEEE 1284 bidirectional parallel connection; cables for other connections may be longer.
- Close to an easily accessible grounded power supply on an exclusively dedicated power outlet.



Attention

Do not connect the groundwire to gas or water pipes or grounding for telephones.

- Not connected to the same electrical outlet as noise-generating equipment. If the printer is connected to the same circuit used by other high-current machines, such as a copier or air conditioner, or to an electrically noisy machine, low voltage or noise may cause overheating, computing errors resulting in data loss, and improper performance.
- In a well-ventilated area, but away from wind.
- With enough space to allow adequate ventilation and easy servicing.

WARNING!

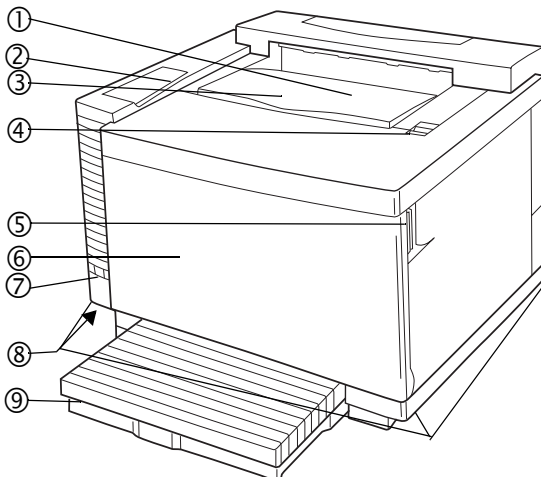
Obstructing the ventilation grilles could present a fire hazard.

Printer Parts

The drawings on these pages illustrate the parts of your printer referred to throughout this guide, so please take some time to become familiar with the printer.

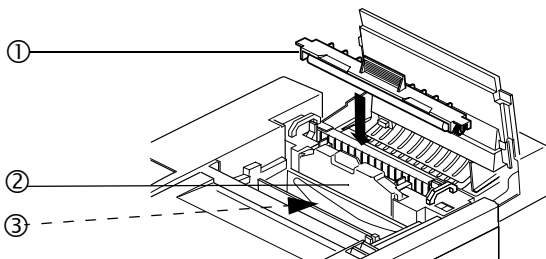
Front View

- 1—Output tray
- 2—Control panel and message window
- 3—Top cover
- 4—Top cover latch
- 5—Front cover latch
- 6—Front cover
- 7—Power switch
- 8—Carrying grips (on all 4 corners)
- 9—Upper universal media tray (tray also known as a cassette)



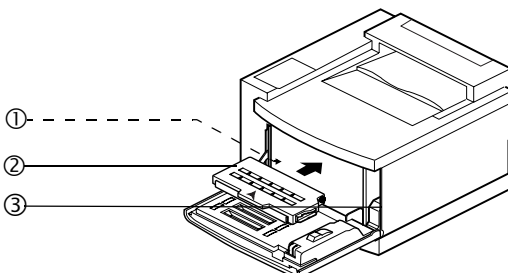
Top Internal View

- 1—Cleaning roller
- 2—Fuser oil bottle
- 3—OPC belt cartridge with corona wire goes here



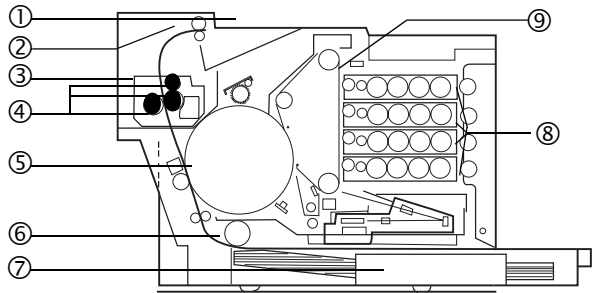
Front Internal View

- 1—Laser lens cover (inside)
- 2—Toner cartridge
- 3—Waste toner bottle



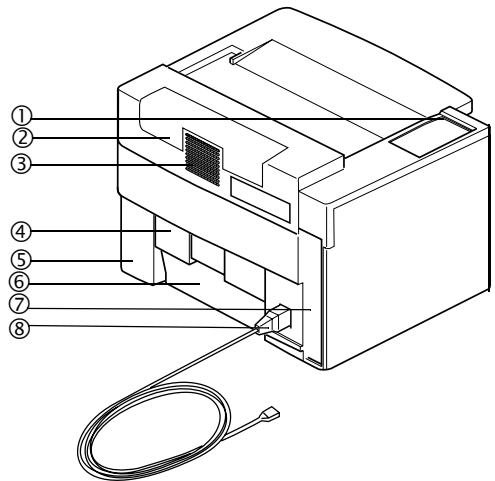
Cross Section Side View

- 1—Output tray
- 2—Paper exit
- 3—Fuser unit
- 4—Transfer drum
- 5—Transfer rollers
- 6—Pickup rollers
- 7—Media tray
- 8—Toner cartridges
- 9—OPC belt



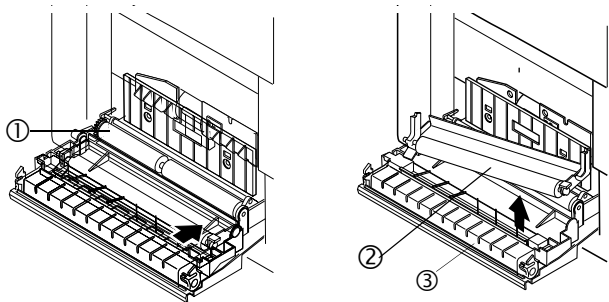
Rear View

- 1—Control panel
- 2—Top cover
- 3—Ventilation grille
- 4—Rear cover
- 5—Ozone filter
- 6—Lower rear cover
- 7—Interface panel
- 8—AC power connector



Rear Internal View—Transfer Unit

- 1—Registration rollers
- 2—Transfer roller
- 3—Paper discharger and wire



Documentation Set

Your magicolor 6110 comes with two CD-ROMs. All the documentation is on the *Documentation* CD-ROM unless otherwise noted below. It is provided in Adobe Acrobat PDF format. Acrobat Reader and QuickTime programs are provided on both CD-ROMs.



You will discover movie camera icons in the manuals. If you're using the Acrobat PDF version of this guide, click the icon to play a QuickTime video clip of the procedure described in the text.

Quick Setup Guide	Use this sheet when unpacking the printer.
Service & Support Guide	This lists global sources of service and support for your printer. Further information about MINOLTA-QMS printers is available through the Internet at www.minolta-qms.com .
Installation Guide	You're looking at this document right now. This assists in setting up the printer, installing accessories, installing a printer driver, and connecting to a network. It also briefly describes the control panel and configuration menu.
User's Guide	This guides you through the day-to-day operation of your printer, including information on printing files, re-filling print media, and replacing toner. It also includes information on additional accessories and options; handling, cleaning, and maintaining your printer; improving print quality; and troubleshooting printer problems.
Maintenance Guide	This guide is a handy item to keep close to the printer for quick reference information regarding operation and care of the printer.
CrownBooks	These manuals provide detailed information about Crown architecture, color printing, menu configuration, and advanced computer/network connection and configuration. They can be found in PDF format on the <i>Software Utilities</i> CD-ROM.
Colorific Monitor Calibration Card, Color Encore Brochure	This card is used to color calibrate your monitor using Colorific. The brochure tells you about additional calibration alternatives for Color Encore.
Colorific User's Manual	This manual contains instructions for using Colorific's monitor calibration software and helpful information about color management, ICC profiles, and color matching.

Setting up Your Printer

WARNING!

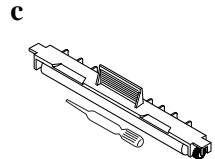
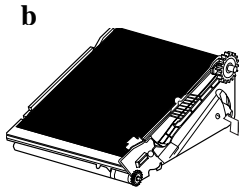
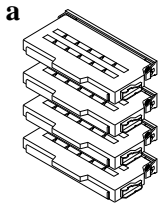
Your printer weighs approximately 101 lbs (46 kg) without consumables. Be sure to have help when lifting and moving it.

Attention

Never lift a printer with the fuser oil bottle installed. When lifting and carrying the printer, use the carrying grips on the bottom sides.

Shipment Contents

- Printer with a 250-sheet universal media tray
The 110 and 220 V printers ship with an envelope feeder; the 100 V printers ship with a postcard feeder.
- Consumables kit (the printer comes with the waste toner bottle installed)
 - a 4 initial starter toner cartridges
 - b OPC belt cartridge
 - c Fuser oil bottle and syringe



- Power cord
- Documentation (see "Documentation Set" on page 10)

Interface cables aren't included in the shipment. If you need cables, contact your local vendor or computer store.

Unpacking the Printer

Attention

When lifting and carrying the printer use the carrying grips on the bottom sides. Never lift a printer with the fuser oil bottle installed.

- 1 Unpack the printer by cutting and removing the straps, and lifting off the outer box.



We **strongly** suggest that you save the packaging materials in case you ever need to move or ship the printer.

- 2 Remove the consumables kit.
- 3 Fold back the plastic protective bag from the printer.
- 4 With another person's help, lift the printer from the pallet, and place it in its intended location.



For best output quality and longest consumables life, place the printer on a hard, flat, level (within 1.5°) surface capable of supporting about 119 lbs (53.9 kg). A surface can be tested for levelness with a standard round pencil. If the pencil rolls, the surface is not level.

- 5 Remove the tape and shipping cardboard from the outside of the printer.



Attention

During installation, do not plug in the printer's power cord until told to do so.

Installing the Toner Cartridges

Your printer uses four toner cartridges: black (K), yellow (Y), magenta (M), and cyan (C).

Color		Rated life @ normal 5% coverage (expressed in planes)
Initial starter toner cartridge	Black	7,000
	Yellow	4,250
	Magenta	4,250
	Cyan	4,250
Replacement toner cartridge	Black	14,000
	Yellow	8,500
	Magenta	8,500
	Cyan	8,500



The toner is nontoxic. If you get toner on your hands, wash them in cool water and mild neutral detergent. If you get toner on your clothes, lightly dust them off as much as possible. If some toner remains on your clothes, use cool, not hot water, to rinse the toner off, provided your clothing is washable.

WARNING!

If you get toner in your eyes, wash it out immediately with cool water and consult a doctor. Material Safety Data Sheets (MSDS) information can be found at www.minolta-qms.com (click on the Answer Base).

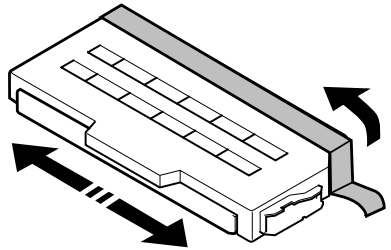
- 1 Remove the toner cartridges from their shipping bags.



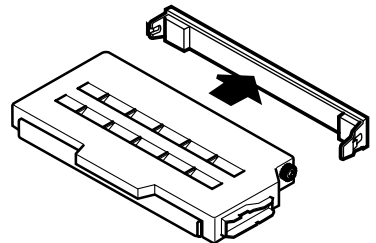
Attention

Do not hold the toner cartridge vertically.

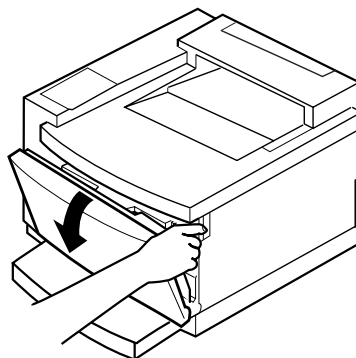
- 2 Holding a cartridge with both hands, gently rock it five or six times horizontally to distribute the toner.
- 3 Pull the tab to remove the tape.



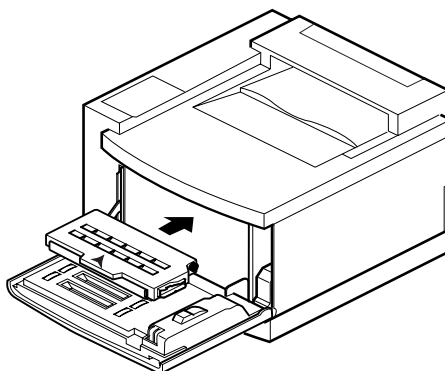
- 4 Remove the orange protective cover from each cartridge.



- 5 Press the front cover latch on the upper-right side of the printer and open the printer's front cover.



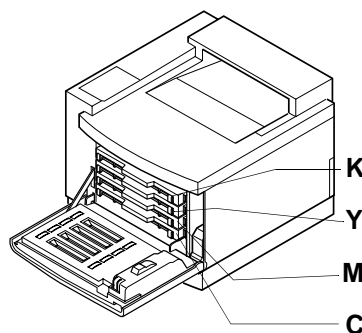
- 6 Align the toner cartridge with the cartridge guides. Gently push the cartridge into the printer.



Attention

Each toner cartridge has a colored label that corresponds to a colored label to the right of the cartridge slots. Always install the toner cartridge in the slot with a label of the same color.

If a toner cartridge doesn't slide in easily, don't force it. While the cartridges may appear not to be fully inserted, gently closing the front cover will guide them to their proper operating position.



- 7 Install the other toner cartridges.

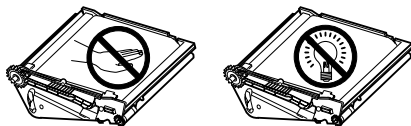
Leave the printer's front cover open while installing the OPC belt cartridge as described in the next section.

Installing the OPC Belt Cartridge


The OPC (Organic Photo Conductor) belt cartridge forms the image that is developed and transferred to the media.

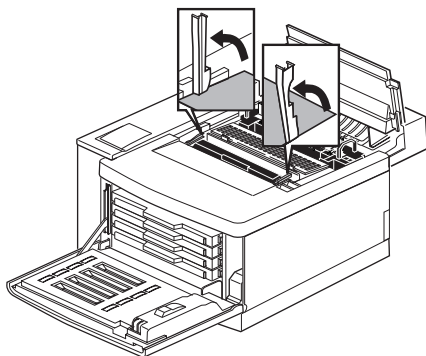
Attention

The OPC belt is extremely sensitive to bright light, direct sunlight, and touch. Always leave it in its protective box until you're ready to install it. Any exposure to light should be limited to less than two minutes, or permanent damage could result.

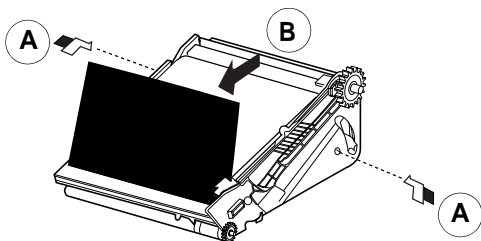



Also, handle the cartridge carefully so you don't touch the surface (the green part) of the belt. The belt is extremely sensitive to hand oils and scratches, both of which reduce print quality. This type of damage is not covered by the product warranty.

- 1 Open the printer's top cover.
 *If you install a duplex unit later, you must always open the duplex unit's top cover first.*
- 2 Rotate up the two lock levers to prepare the opening for the cartridge.
- 3 Remove the OPC belt cartridge from its protective bag.



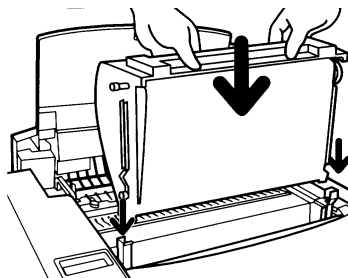
- 4 Pull out the two tension-release pins (A) (one on each side of the cartridge).
- 5 Remove the protective sheet (B) from the cartridge.



 *The white powder lubricant on a new OPC belt is normal; it won't affect quality.*

- 6 Holding the cartridge above the printer, align the guide pins on the cartridge with the guide slots in the lock levers.

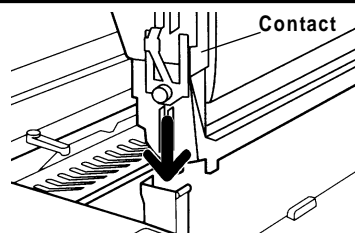
The green surface of the cartridge faces you.



Attention

When lowering the cartridge into the guide slots, the metal contact on the lower-left side of the cartridge should be aligned outside of the left guide slot.

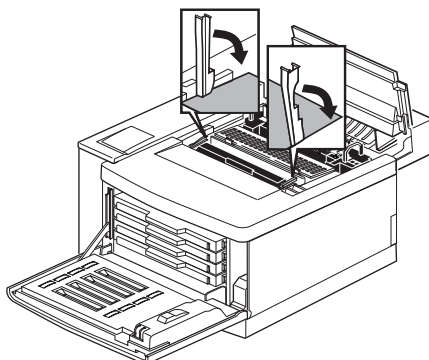
The cartridge should slide easily into the printer. Don't force it.



- 7 Gently guide the cartridge into the printer.

- 8 Rotate the two lock levers toward the back of the printer to secure the cartridge in the printer.

- 9 At this point, you may close the front cover.



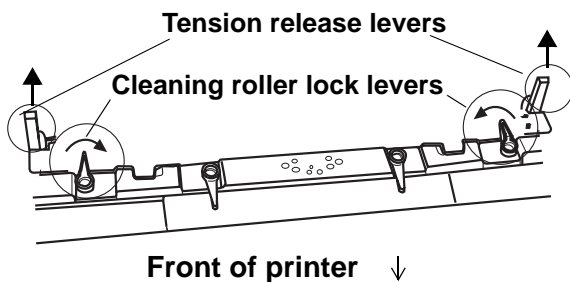
Installing the Cleaning Roller and Fuser Oil Bottle

- 1 Push the two tension release levers toward the rear of the printer.

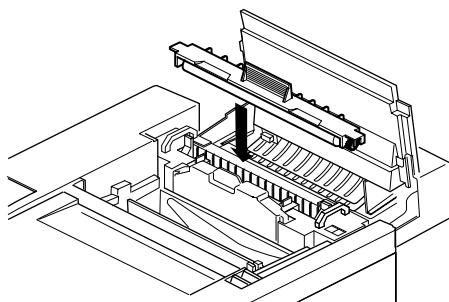


The printer is shipped with the tension release levers in the forward position.

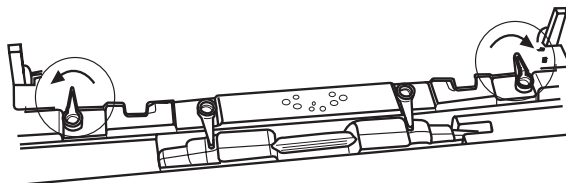
- 2 Open the two cleaning roller lock levers by rotating them toward each other.



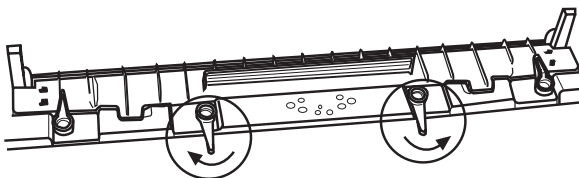
- 3 Install the cleaning roller in its slot.



- 4 Close the two cleaning roller lock levers.



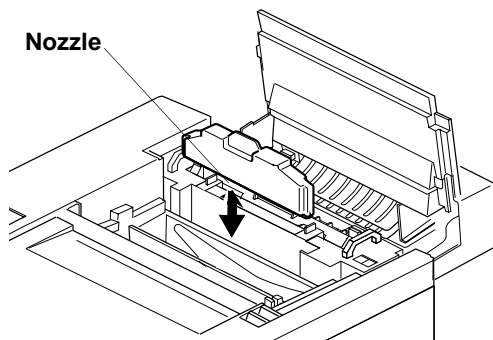
- 5 Open the two oil bottle lock levers by rotating them away from each other.



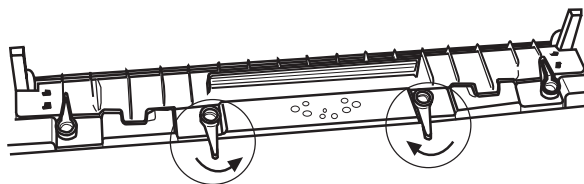
Attention

Do not move a printer with the fuser oil bottle installed.

- 6 Insert the new oil bottle with the nozzle pointed down.



- 7 Close the two oil bottle lock levers.



- 8 Close the printer's top cover.

Loading the Media Tray

- 1 Unpack the media tray.

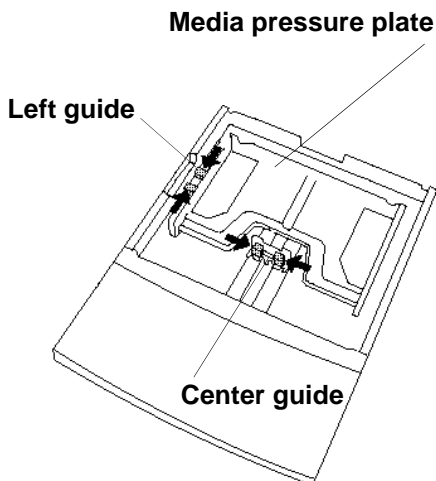


The illustration shows a universal media tray; however, instructions are the same for a letter/A4 media tray.



Universal trays are not interchangeable between the upper feeder and the optional lower feeder unit(s).

- 2 Adjust the media guides to fit the paper size you're loading by squeezing the retainers moving them to the appropriate location (media sizes are listed on the bottom of the

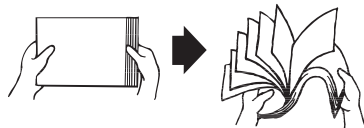


tray). The media pressure plate will automatically lock into position when the media is loaded.

Attention

Improperly adjusted guides may cause poor print quality, media jams, or printer damage.

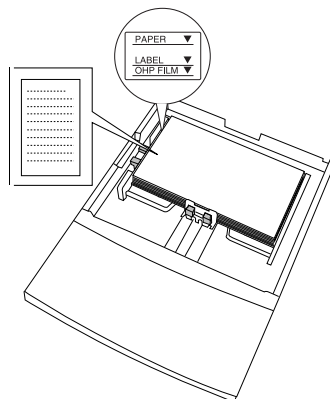
- 3 Fan a stack of approximately 250 sheets of paper.
Make sure the paper corners are not bent.



Attention

The paper should fit easily between the guides. Do not overfill the tray. A fill limit mark is provided on the inside left side of the tray. The standard upper media tray holds 250 sheets of 20 lb bond (75 g/m²) paper.

- 4 Load the paper face-up with its top toward the right of the cassette and the long edge toward the printer.
Often, an arrow on the media package label indicates the printing-side of the media.
- 5 Slide the media tray back into the printer.
- 6 Print at least 20 pages to make sure the toner in the new cartridges have settled properly.



For further information about loading and using media, refer to chapter 2, “Using Media,” in the *User’s Guide*.

Accessories

Attention

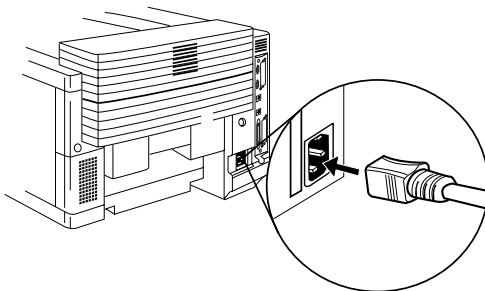
Installing accessories always requires that the printer and accessories are turned off and unplugged during installation.

If you purchased any additional printer accessories, then install them now. If installation instructions are included with the accessory, follow them. If not,

instructions are included in the *User's Guide*. A complete list is in "Accessories and Consumables" on page 41. Refer to www.minolta-qms.com for part numbers and pricing.

Plugging in/Turning on the Printer

- 1 Make sure the printer is turned off.
- 2 Plug the printer power cord into the printer and into the dedicated, grounded, surge-protected electrical outlet.



WARNING!

Do not overload the outlet. For products installed outside North America, do not connect the groundwire to gas or water pipes or grounding for telephones.

- 3 Turn on the printer.

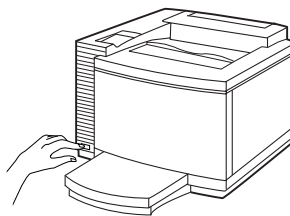


In compliance with UL guidelines, "The appliance inlet is considered to be the main disconnect device."

After a brief (typically 3 minutes) warmup, your printer prints a startup page and displays "IDLE" on the message window. If "IDLE" is not displayed in the message window after the power switch is turned on, the setup operation is not proceeding correctly or the printer may be malfunctioning. Recheck the setup. If the startup page doesn't print or the print quality is not good, skip ahead to "Troubleshooting" on page 37.



The printer automatically switches to power-saver mode after 30 minutes of inactivity. In the Administration/Engine/Energy Saver menu, you can change the number of minutes before the printer switches to power-saver mode.



Configuration Menu Overview

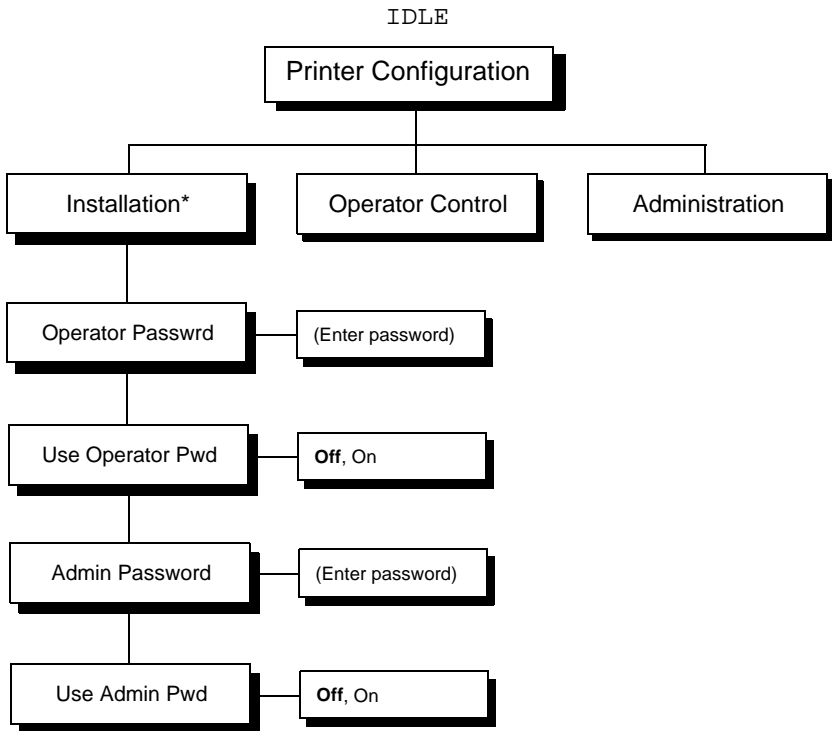
Menu Chart Conventions

The following conventions are used in the menu charts:

- Some menu choices are marked as optional, indicating that the selection appears in the menu only when the option is installed.
- Defaults are bolded.

For more menu details, refer to the *CrownBook*.

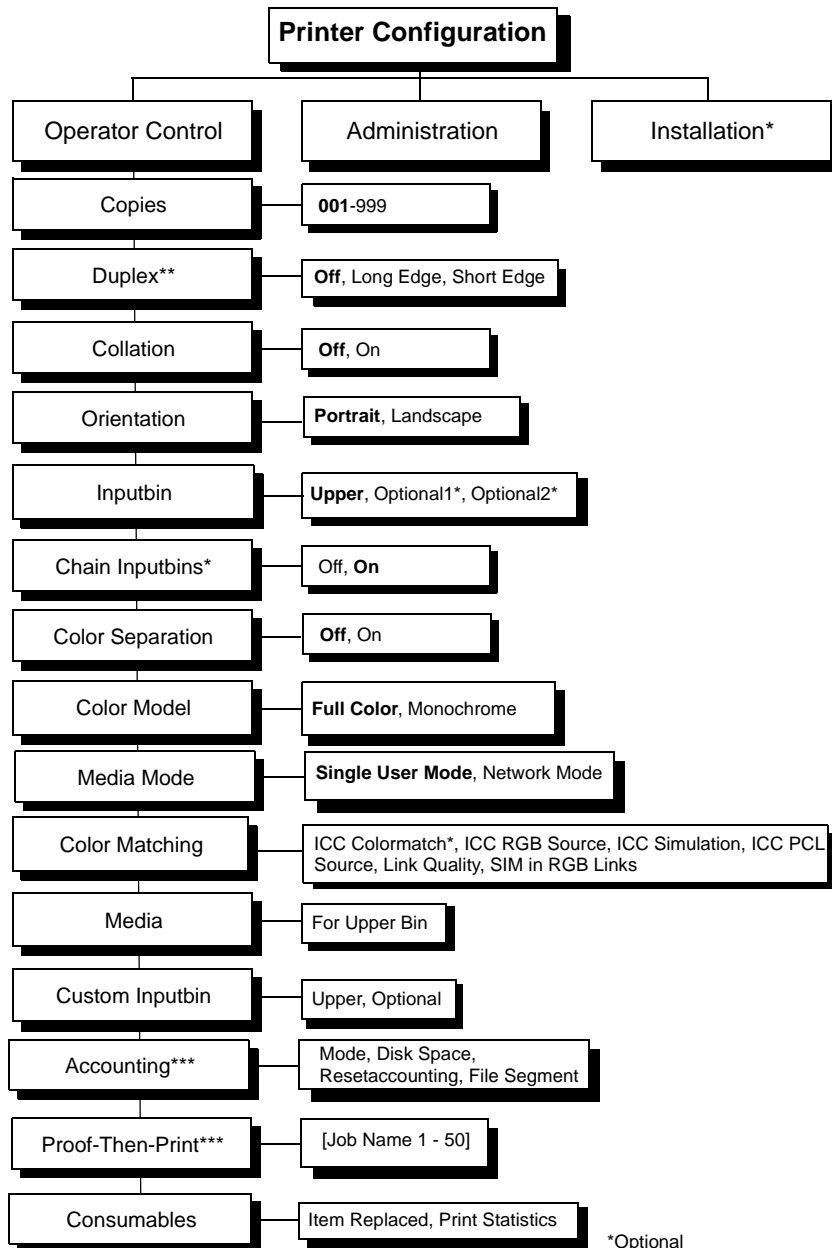
Installation* Menu



*Requires optional security key

Operator Control Menu

IDLE



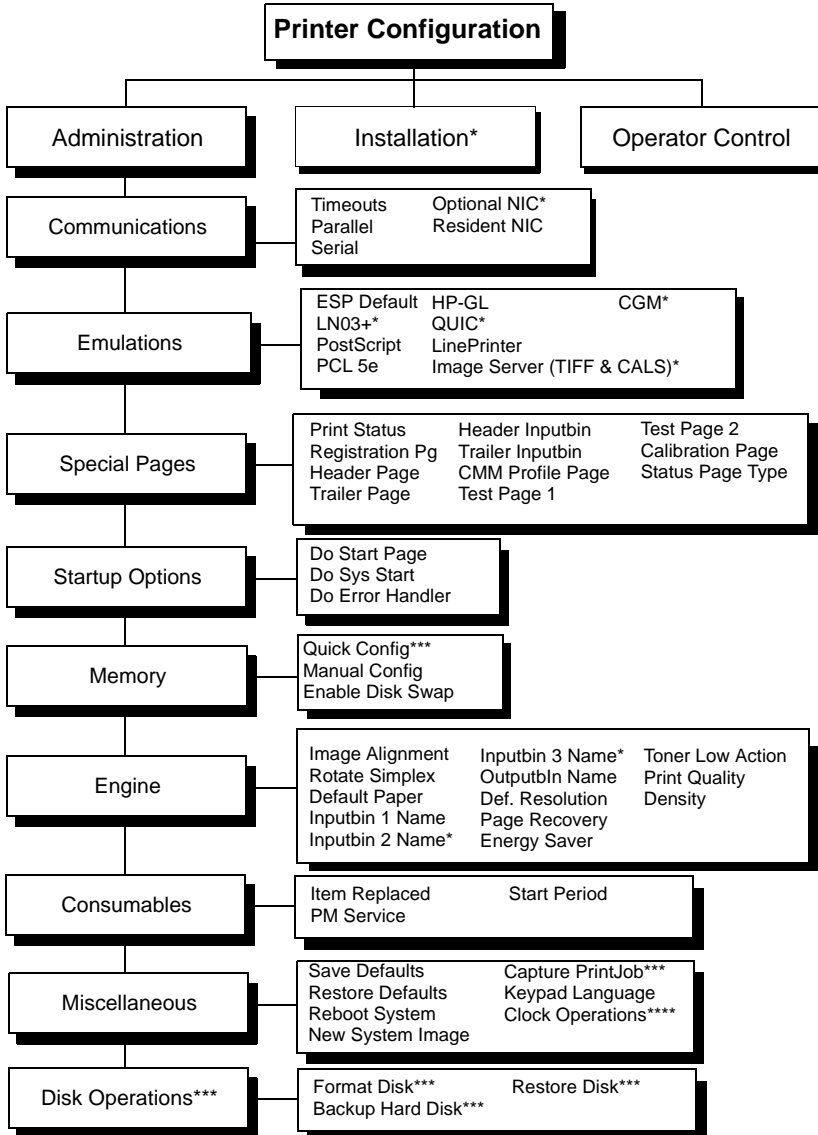
*Optional

**Only with a duplex unit installed

***Only with a hard disk installed

Administration Menu

IDLE



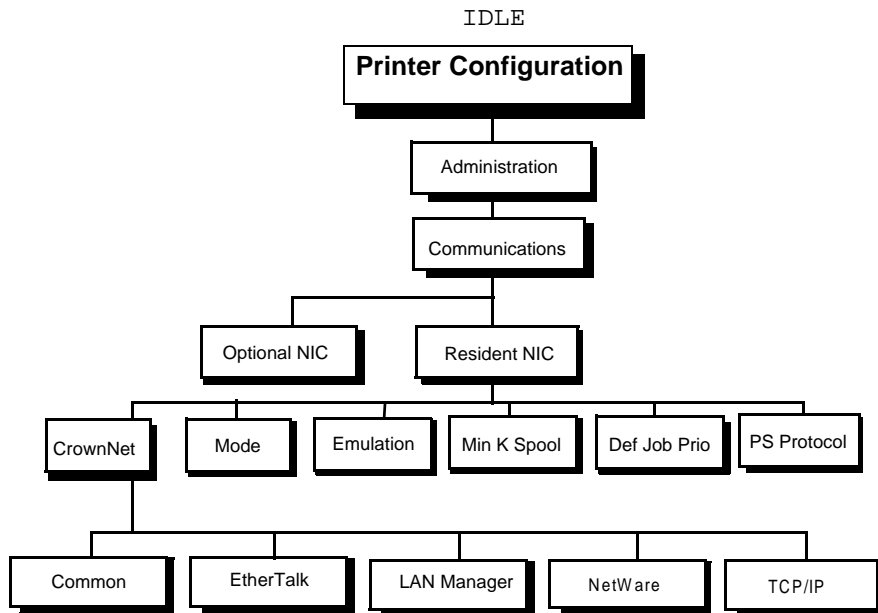
**Optional*

***Only with duplex unit installed*

****Only with hard disk installed*

*****Only with Time-of-Day clock installed*

Administration/Communications/Resident NIC/ CrownNet Menu



Selecting a Message Window Language

Printer Control Panel

The control panel message window provides status and configuration information. Status messages and configuration menus can be displayed in the message window in Czech, Danish, Dutch, English, French, German, Italian, Portuguese, and Spanish. When you receive your printer, the default language is set to *English.

Chinese (Simplified), Japanese (Kanji), Korean (Hangul), and Taiwanese (Traditional) do not display in the control panel message window, but choosing them makes the correct language display in CrownView.

Refer to "About the Control Panel" on page 26 for detailed information about how the control panel functions.

If you want to change the message window language, use the following control panel sequence (slightly dependent upon the model and installed options):

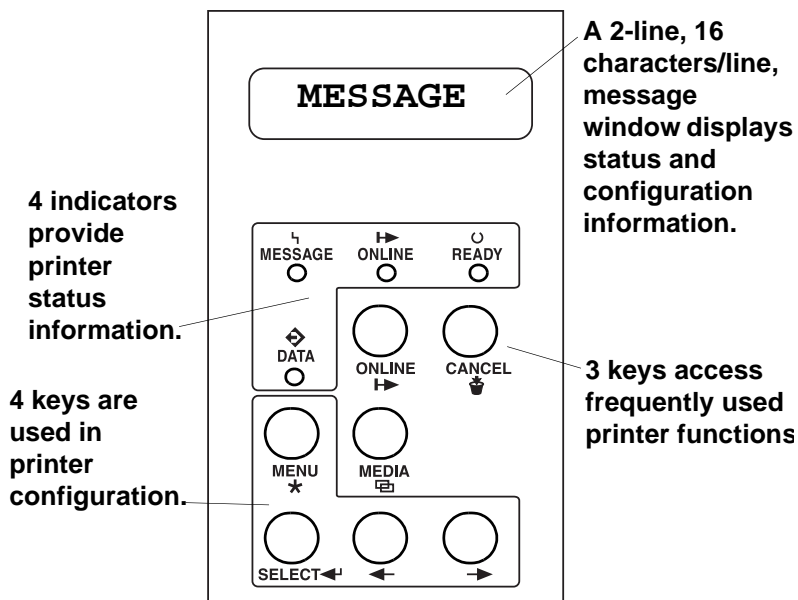
Press Key	(Until) Display Reads
Online	IDLE (and online LED is off)
Menu	OPERATOR CONTROL
Next (▶)	ADMINISTRATION
Select	ADMINISTRATION-COMMUNICATIONS
Previous (◀)	ADMINISTRATION-MISCELLANEOUS
Select	MISCELLANEOUS-SAVE DEFAULTS
Previous (◀)	MISCELLANEOUS-KEYPAD LANGUAGE
Select	KEYPAD LANGUAGE-*ENGLISH
Next (▶)/ Previous (◀)	Press the Next and/or Previous key until the language required is displayed
Select	<LANGUAGE> IS SELECTED



The printer must be restarted for changes to the Keypad Language menu to take effect. You can either let the printer restart automatically after you save the change and exit from the Configuration menu, or you can wait for the change to take effect the next time you manually turn on the printer.

About the Control Panel


The control panel, located on the front of the printer, allows you to direct the printer's operation. In addition, it displays the current status of the printer, including any condition that needs your attention.






Message Window



The control panel message window provides status and configuration information. Status messages are listed in "Troubleshooting" in the *User's Guide*. Printer configuration is explained in the *CrownBook*.


Control Panel Indicators

Indicator	Off	On
 READY	The printer is off line and not ready to accept data. <i>When this indicator is blinking, the printer is warming up or is in Energy Saver mode.</i>	The printer has finished warming up and is on line and ready to print data.

Indicator	Off	On
 ONLINE	The printer is off line and not ready to accept data.	The printer is on line and ready to receive data from any of its interfaces.
 MESSAGE	No problem.	The printer requires operator attention (usually accompanied by a status message in the message window).
 DATA	The printer is not receiving data.	The printer is receiving or processing data through one or more of its interfaces (usually accompanied by a status message in the message window).





Control Panel Keys

Key	Function
ONLINE 	<p>The Online key switches the printer between on line and off line status.</p> <p>When off line, the printer continues printing until it has finished all jobs received, but it doesn't accept any new data. Although jobs continue to compile and print using the data already received, a job may be interrupted.</p> <p>If a remote console has taken the printer off line, pressing the Online key on the control panel will not take effect until the remote console puts the printer back on line.</p> <p>You must take the printer off line before using all other keys except the Cancel and Media keys.</p>
MEDIA 	<p>Use the Media key to set the media tray to the correct media type when switching between plain paper or transparencies (Automatic) and other types such as envelopes, glossy stock, labels, and thick stock (Thick Stock) to enable the proper toner adherence.</p> <p>In network mode, the user must select a special media type both from the printer driver and from the printer's control panel (the Media key). In single user mode, the user only has to specify the type of media that you are printing on in the driver. Failure to set the Media key when switching media types results in unsatisfactory printing results.</p>

Key	Function
CANCEL 	<p>The Cancel key allows you to cancel one or all print jobs. (See the <i>CrownBook</i> for complete information.) It also allows the user to end a job.</p> <p>If the printer is on line, press the Cancel key to cancel the job currently printing. To cancel the entire print job if the computer has not completely sent the job, use the printer driver.</p> <p>If you press the Cancel key by mistake, or if you decide not to cancel a print job after pressing this key, press the Menu key to “cancel” the Cancel key’s function.</p>

Menu, Select, Previous, and Next Keys

The Menu, Select, Previous, and Next keys are used in printer configuration (explained in detail in the *CrownBook*). Before using any of these keys, press the Online key to take the printer off line.

Key	Function
MENU 	<p>The Menu key provides access to the configuration menu. First press the Online key to take the printer off line, and then press the Menu key to access the configuration menu. When you’re changing the printer configuration, press this key to cancel a change (before pressing the Select key), to return to a previous menu, or to return to a previous character when entering character information.</p>
SELECT 	<p>Press Select to access a menu or to choose a displayed menu option.</p>
	<p>Press the Previous key to return to the previous selection or option for the current menu. When changing character information, use this key to return to the previous choice for the current input character.</p>
	<p>Press the Next key to advance to the next selection or option in the current menu. When changing character information, use this key to advance to the next choice for the current input character.</p>

About the Interface Panel

The interface panel is located on the back right of the printer.

Serial port—This is an RS-232C serial interface.

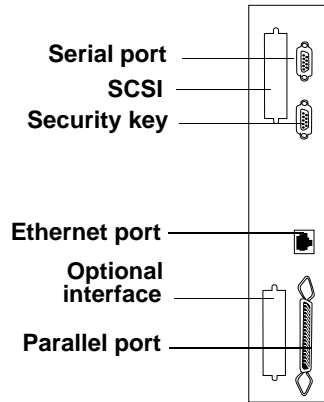
SCSI—Up to 3 optional SCSI devices are allowed.

Security key—This is for the optional security key.

Ethernet port—Using a twisted-pair (RJ45) Ethernet cable, connect the Ethernet port on the printer to a 10BaseT/100BaseTX network connection.

Optional interface—Optional interfaces such as emulations connect here.

Parallel port—Using a Centronics IEEE 1284 bidirectional parallel cable, connect the parallel port on the printer to the parallel port on your computer.



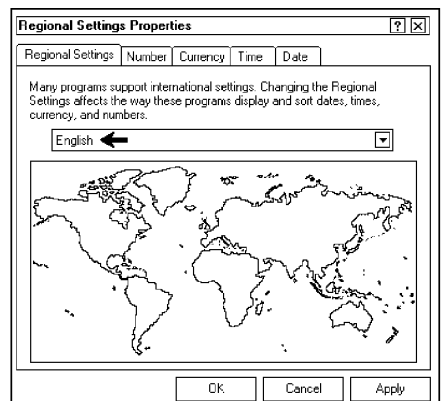
Software Utilities CD-ROM

Regional Settings

The *Software Utilities* CD-ROM checks your computer's Regional Settings and automatically starts up in the language that you selected if it is supported. In a Windows environment, you may change the opening language by changing the computer's Regional Settings (double-click on the My Computer icon, then on Control Panel, then on Regional Settings).



Other applications on your PC may also be affected by changing the Regional Settings.



Drivers and Utilities

The printer driver and additional software found on the *Software Utilities* CD-ROM can be installed on PCs using any of the following:

- Windows Me
- Windows 2000
- Windows NT4
- Windows 98
- Windows 95 (B minimum)
- Macintosh
- UNIX
- NetWare
- Others

Drivers/Utilities	Use/Benefit
PostScript Driver for Me/98/95	This driver gives you access to all of the printer features, including finishing, color management, and advanced layout on the Windows Me/98/95 platform. It is designed to be feature-rich while versatile and easy to use.
PostScript Driver for 2000/NT4	This driver gives you access to all of the printer features, including finishing, color management, and advanced layout on the Windows 2000/NT4 platform. It is designed to be feature-rich while versatile and easy to use.
PostScript Printer Description	These PPD files allow you to install the printer for a variety of platforms, drivers, and applications.
Crown Print Monitor for Windows	This Windows utility gives an efficient serverless method for transporting print jobs directly to a MINOLTA-QMS printer via the TCP/IP protocol. The Crown Print Monitor functions on Windows Me/98/95 as well as Windows 2000/NT4.
Profile Downloader	This utility allows you to download color profiles from a Windows workstation to the printer's hard disk.
PageScope	This utility, designed with administrators in mind, is a powerful tool allowing centralized management of all the Crown printers on your network. It is available for Windows, Macintosh, and UNIX platforms. Refer to the <i>PageScope</i> manual for more information.

Drivers/Utilities	Use/Benefit
UNIX Host Software	UNIX Host Software, compatible with a variety of UNIX platforms, allows for the customization of UNIX-based queues and filters for the specific features of the Crown printer.
Printer Utility for the Macintosh	This utility provides common management tasks for Crown printers from a Macintosh platform, such as naming the printer, configuring the printer, and downloading fonts.

Installing Printer Drivers and Software

You can install printer drivers and utilities via a parallel or an Ethernet connection.

Installing Windows Drivers and Utilities via a Parallel Connection

Plug and Play Installation



Ethernet connections don't support Plug and Play technology. If you're using an Ethernet network connection, skip to "Installing Windows Drivers and Utilities via an Ethernet TCP/IP Interface Configuration" on page 33.

1

Connect your printer to your PC with a parallel cable.



Under certain PC configurations, the Software Utilities CD-ROM automatically launches its own installation utility. If this should occur during the Plug and Play procedure, cancel the Plug and Play installation and install the driver using the CD-ROM installer for easy access to color management and online documentation.

2

With your PC turned off, turn on the printer (the power switch is on the left side of the printer), and then turn on your PC. A Found New Hardware message appears. Follow the directions for your operating system:

Windows Me/98/95	Windows 2000
Insert the <i>Software Utilities</i> CD-ROM.	Select Ⓞ Search

When the <i>Other Locations</i> window appears, choose <i>Select Other Location</i> .	Insert the <i>Software Utilities</i> CD-ROM.
Select <i>Browse</i>	Select <input checked="" type="checkbox"/> <i>CD-ROM Drives</i> De-select all other choices.
Locate the <i>Driver</i> directory on the CD-ROM, and then choose <i>OK</i> .	Choose <i>Next</i>

- 3 Follow the instructions on the screen to complete the installation of the printer driver. When the installation is complete, the Windows desktop appears. Remove the CD-ROM from the PC, and store it in a safe place.



*During software installation you can view online help by choosing the *Help* button.*

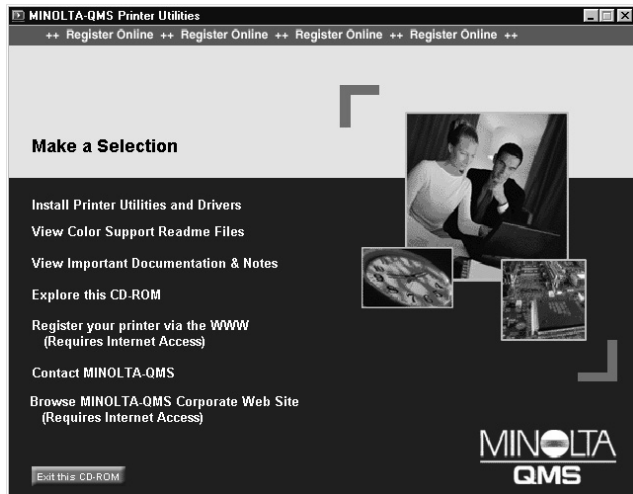
Manual Installation



*If you installed the printer driver using *Plug and Play* technology, skip to “*Installing Windows Drivers and Utilities via an Ethernet TCP/IP Interface Configuration*” on page 33.*

- 1 Connect your printer to your PC with a parallel cable.
- 2 Insert the *Software Utilities* CD-ROM in the CD-ROM drive on your computer.

- 3 When the installation application window appears, select **Install Printer Utility and Driver**, and then follow the on-screen instructions to install the printer driver and Crown Port Monitor.



Installing Windows Drivers and Utilities via an Ethernet TCP/IP Interface Configuration

Detailed instructions for configuring TCP/IP can be found in the *CrownBook* (in PDF format on the *Software Utilities* CD-ROM).

DHCP Installation



If you use DHCP to install TCP/IP, you must enable DHCP/WINS in Administration/Communications/Resident NIC/CrownNet/TCP/IP printer configuration menu. See your network administrator and your CrownBook for further information.

Manual TCP/IP Installation

- 1 Connect your printer to the network with an Ethernet cable.
- 2 If necessary, in the Administration/Communications/Resident NIC/CrownNet/TCP/IP/Internet Address menu, enter the printer's Internet address.

The factory default Internet address is 161.33.128.24. If necessary, in the Administration/Communications/Resident NIC/CrownNet/

TCPIP/Default Router menu, enter the Internet address of the default router.

The factory default router address is 000.000.000.000. This setting provides automatic sensing of gateways. If you identify a subnet mask, automatic sensing is disabled.

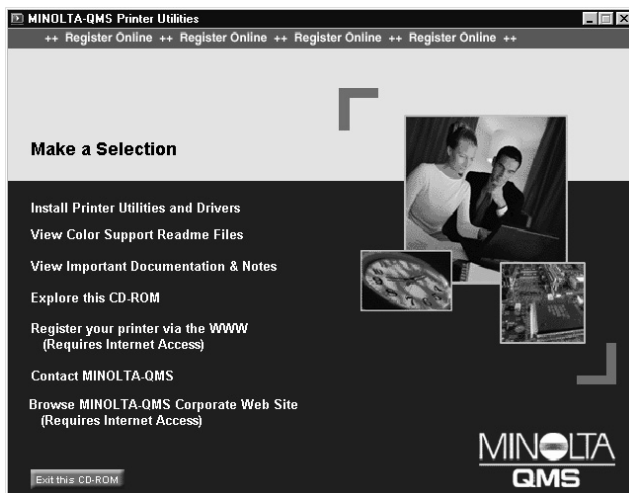
- 3 If you want to refer to the printer by host name instead of IP address, edit the system host table by adding the following line to the host file:

```
internetaddress hostname
```

where internetaddress is the Internet address of the printer (Administration/Communication/Resident NIC/CrownNet/TCPIP/Internet Address menu, and hostname if the descriptive name of the printer). This requires administrator privileges on your network. Contact your system administrator.

- 4 Insert the autoloading *Software Utilities* CD-ROM into your CD-ROM drive.

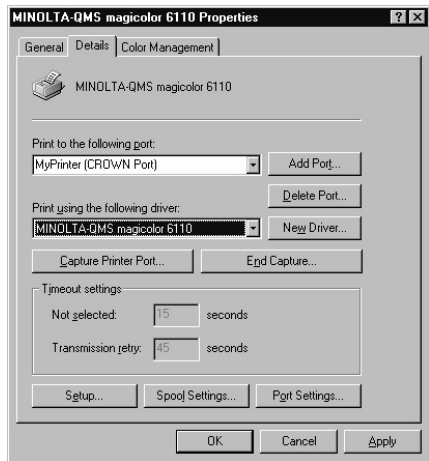
- 5 Click on the printer driver for your specific driver and port monitor. Follow the instructions on the screen.



Selecting the Crown Port

The Crown Print Monitor for Windows 2000/NT4/Me/98/95 transports print jobs to a print device using the TCP/IP protocol and provides status information to the host. If you installed the Crown Print Monitor, follow the instructions in this section to assign the new Crown port that was created.

- 1 From the Start menu, choose Settings.
- 2 Choose Printers.
- 3 In the Printers window click the right mouse button on the magicolor 6110 printer to display the printer's menu.
- 4 Choose Properties.
- 5 Choose the Details tab (Windows Me/98/95) or Ports tab (Windows 2000/NT4).
- 6 From the Print To The Following Port list, choose the Crown port that was added during the Crown Print Monitor installation.
- 7 Choose OK to close the Printer Properties window.
- 8 Close the Printers window.



For additional information about the Crown Print Monitor, see the Crown Print Monitor Administrator's Guide (in PDF format on the Software Utilities CD-ROM). For information about the print monitor that comes with Microsoft Windows 2000, see your Windows documentation.

Installing Macintosh Drivers and Utilities

EtherTalk Interface Configuration

You can configure your MINOLTA-QMS print system by several different methods.

This section briefly describes the configuration procedure for the printer interface. You can make these configuration changes through any of the following means:

- Printer control panel
- Print Utility for Macintosh
- Remote Console
- CrownView

When your printer boots up, it will find a default zone. If your network has more than one zone, use the Administration/Communications/Resident NIC/CrownNet/EtherTalk/Zone Name/Zone Part 1 and Zone Part 2 menus to enter

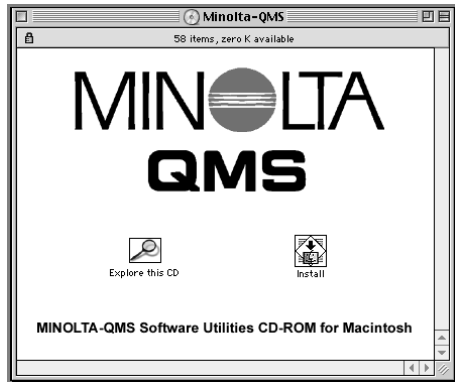
the name of the zone to which the printer is attached if you want it to appear in a zone different than the one it shows in.



The two Zone Part x menus allow you to identify 1 zone with a name up to 32 characters long. (Up to 16 characters can be entered in each of the two menus). You cannot use these two menus to identify two zones. Trailing spaces are not considered part of the zone name. All standard printable ASCII characters are valid except the @ and ' symbols. The names are case sensitive.

PPDs and Utilities (OS9 and Below) Installation

- 1 Insert the autoloading Software Utilities CD-ROM into your CD-ROM drive. .
This screen should appear.
- 2 If not, open the Readme file in the Explore button for information on the latest available drivers, PPDs, and utilities.
- 3 Double-click the INSTALL icon.
- 4 Follow the instructions on the screen.



PPDs and Utilities (OSX) Installation

For installation of PPDs and utilities for OSX, refer to the MINOLTA-QMS website at www.minolta-qms.com, and download the Macintosh OSX installer. Follow the instructions on the screen.

Installing Drivers and Utilities on UNIX and Others

For UNIX, NetWare 3, NetWare 4, NetWare 5, and NDPS installation, refer to the *CrownBook*.

Troubleshooting

Although the magicolor 6110 is designed to be highly reliable, you may occasionally experience a problem. The following helps you to identify the cause of the possible installation problems and suggests some solutions related to installation. For detailed troubleshooting information, refer to "Troubleshooting" in the *User's Guide*.

Solving Problems during Installation

Symptom	Cause	Solution
No lights or messages appear on the control panel.	There is no power supply to the AC outlet.	Make sure there is power supplied to the AC outlet.
	The power cord is not plugged in securely into both the power outlet and the printer.	Make sure the power cord is plugged in securely both at the power outlet and the printer.
	The printer power switch is not on.	Toggle the printer power switch to the On position.
	The line voltage from the power outlet doesn't match the printer's power requirements.	Make sure the line voltage matches the printer's power requirements.
The startup page comes out skewed or in the wrong orientation.	The transfer unit was jarred open during the installation and needs to be closed.	Open and close the printer's rear cover.
	The media guides are not accurately set in the media tray.	Reset the media guides.
The printer is not receiving data from the computer. (<i>The Data indicator doesn't blink after a file is sent.</i>)	The printer is not on line.	Put the printer on line and check if the message window displays IDLE.
	The emulation has been changed from ESP to an emulation that doesn't match the file you are sending.	Print a status page from the control panel. For information about the ESP mode, refer to the <i>Crown-Book</i> .

Symptom	Cause	Solution
You can't print a status page.	Is the printer off line before you try to enter the Administration/Special Pages/Print Status menu?	Turn the printer off line before printing a status page.
	The tray does not have media.	Check that the media trays are loaded with media, in place and secure.
	The printer's covers aren't closed securely.	Make sure the front and top covers are closed securely. <i>Close all covers gently to avoid jarring the printer.</i> Make sure the waste toner bottle is installed correctly.
	There is a media jam.	Check for a media jam.
The printer is printing codes or not printing at all when in ESP mode.	The printer emulation is not correct.	Reconfigure the port to the specific printer emulation of the file you are trying to print.
	Your ESP timeout is too short.	If a PostScript file prints PostScript statements while the printer is in ESP mode, increase the ESP timeout.
Top cover does not close.	The fuser oil bottle release levers are not set in the correct position.	Open the top cover and turn the fuser oil bottle release levers (two locations) to the locked position, then close the cover gently to avoid jarring the printer.
Front cover does not close.	The waste toner bottle is misinstalled.	Remove the waste toner bottle, then install it correctly.
	Toner cartridges are misinstalled.	Reinstall the toner cartridges. <i>While the cartridges may appear not to be fully inserted, gently closing the front cover will guide them to their proper operating position.</i>
Waste toner bottle cannot be installed.	The waste toner bottle isn't oriented correctly.	Make sure the bottle is correct side up.

Symptom	Cause	Solution
CHECK WASTE TONER message appears in the message window.	The waste toner bottle isn't properly installed.	Make sure the waste toner bottle sits loosely in its compartment and that the top of the bottle is not wedged under the top of the compartment.
The Online indicator is on and the message in the display is "IDLE," but no startup page prints.	You did not wait long enough.	Did you wait long enough? From a cold start, the printer takes approximately 3 minutes to warm up. Be sure you wait long enough for a startup page before suspecting a problem.
	Print startup is not enabled.	Make sure the option to print a startup page is enabled in Administration/Startup Options/Do Startup Page.
	The defaults have been changed.	Perform a restore defaults on the printer. From your control panel, select Administration/Miscellaneous/Restore Defaults/Factory Defaults/Yes.
Error message is displayed.	A unit or tray is not correctly installed.	Handle the message according to the message display.
	The media is jammed.	
	A problem occurred inside the printer.	
Print is unclear.	New toner cartridge(s) has (have) been installed, but the "break-in" period has not been reached.	Print at least 20 pages to make sure the new toner cartridges have settled properly.
The colors look drastically wrong.	The toner cartridges are not correctly installed.	Check the toner cartridge installation.
Colors aren't registering properly.	The OPC belt cartridge is not pushed all the way in.	Repeat the steps in "Installing the OPC Belt Cartridge" on page 15.

Symptom	Cause	Solution
Printouts seem faded on one side of the page.	The printer is not on a level enough surface.	Level the printer surface. The slant of the printer should not exceed 1.5° after the printer is placed on it (for example, a round pencil laid on the surface shouldn't roll in any direction).
Printer power is not on.	The power cord is not correctly plugged into the outlet.	Turn the power switch off, remove the power cord from the outlet, plug it back in, and turn the power back on.
	The printer power switch is not on.	Toggle the printer power switch to the On position.
	Something is wrong with the outlet you are using for the printer.	Plug another electrical appliance into the outlet and see whether it operates properly.
Printer power is not on.	The printer is connected to an outlet with a voltage or frequency that does not match the printer specifications.	<p>Check the voltage and frequency of the outlet. Use a power source with the following specifications:</p> <p>—Power</p> <p>Japan: 100 VAC 50–60 Hz 12 amps</p> <p>North America: 120 VAC 50–60 Hz 8 amps</p> <p>Europe: 220-240 VAC 50–60 Hz 6 amps</p> <p>Latin America: 120 VAC 50–60 Hz 8 amps 220-240 VAC 50–60 Hz 6 amps</p> <p>—Voltage fluctuation</p> <p>Japan: 100 VAC ±10%</p> <p>North America: 120 VAC ±10%</p> <p>Europe: 220-240 VAC ±10%</p> <p>Latin America: 120 VAC ±10% 220-240 VAC ±10%</p> <p>—Frequency fluctuation rate within 50/60 ±3 Hz</p>

If you've followed all of the instructions and still have problems you can't solve, see the *Service & Support Guide* for the MINOLTA-QMS office closest to you.

Accessories and Consumables

Refer to www.minolta-qms.com for part numbers and pricing.

Accessories

Description	Remark(s)
BuzzBox	Via parallel connection for 100, 120, and 220 volts
Cabinet	
CGM	Emulation
Color Calibration Kit	
CrownNet for Ethernet 10BaseT/ 100BaseTX Interface	Equipped with RJ45 connector
CrownNet for Token-Ring Interface	Equipped with STP and UTP connectors
Crown for DECnet-TCP/IP Interface	Equipped with 10BaseT
Dual In-Line Memory Modules (DIMMs)	Additional memory must be 32, 64, or 128 MB, PC-100 Compliant SDRAM DIMMs, up to a printer maximum of 384 MB (up to 128 MB for each DIMM slot).
Duplex Unit	Installation of a duplex unit requires at least one LFU be installed.
Envelope Feeder	110 and 220 volt printers ship with an envelope feeder; for use only in the upper media tray
Ethernet Interface	
ImageServer	TIFF/CALS
Internal IDE Hard Disk Drive	
Kanji Font Internal IDE Hard Disk Drive	Includes two Morisawa fonts, Ryumin and GothicBBB.
LN03 Plus	Emulation. Requires hard disk.
LocalTalk Interface	Equipped with LocalTalk for legacy Apple environments
Lower Feeder Unit (LFU)	Media tray included (up to two can be installed)

Description	Remark(s)
Media Tray, Universal, 250 Sheet	Purchasing extra trays may be convenient when media formats change and/or media qualities vary.
Media Tray, Letter/A4, 250 Sheet	
Media Tray, Lower Feeder Unit, 500 Sheet	
PlanetPress	Form-creation utility
Postcard Feeder	100 volt printers ship with a postcard feeder; for use only in the upper media tray
QFORM	Form-creation utility
SC-210 Color Convenience Copier	Optional Automatic Document Feeder (ADF) for SC-210 also available
SCSI Interface	Up to 3 SCSI devices allowed
Security Key	Optional
Serial Interface	Refer to the <i>CrownBook</i> for interfaces available.
Time-of-Day Clock	Optional
VMS Host Software	Emulation

Consumables

Attention

Consumable life is expressed in simplex letter/A4 pages @ normal 5% coverage in continuous printing. A duplex page is equivalent to two simplex pages. The stated life expectancy of each consumable is based on printing under specific operating conditions, such as ratio of color to monochrome, and media type and size. The actual life expectancy will vary (or be reduced) depending on these and other printing variables, including continuous (optimal consumable life) or intermittent (for example, one-page jobs) printing, ambient temperature, and humidity.

Description	Remark(s)
Cleaning roller	REPLACE CLEANING ROLLER displays in the message window (after 20,000 pages).
Fuser oil bottle	FUSER OIL EMPTY displays in the message window (after up to 12,000 pages). <i>Fuser oil life is media dependent. Heavy coverage, intermittent printing, and different media types can use up oil at an accelerated rate, reducing fuser oil bottle life.</i>
OPC belt cartridge	REPLACE BELT displays in the message window (up to 120,000 pages). <i>Other factors also affect cartridge life.</i>
Toner cartridge	<COLOR> TONER EMPTY displays in the message window (after approximately 14,000 planes per black cartridge and 8,500 planes per yellow, magenta, and cyan cartridge). <i>The printer ships with an initial starter toner kit—this means the black toner cartridge has a life of 7,000 planes, while cyan, magenta, and yellow initial starter cartridges each have a life of 4,250 planes—at 5% coverage of each color.</i>
Waste toner bottle	CHECK WASTE TONER displays in the message window (after 18,000 color planes).
Ozone filter*	Replace every 12 months.
Notes	*Ozone filters are maintenance items that are user-installable.

Regulatory Compliance

CE Marking and Immunity Requirements (EU)	International (EU) EN 55024 EN 50081-1 IEC 61000-4-2 IEC 61000-4-3 IEC 61000-4-4 IEC 61000-4-5 IEC 61000-4-6 IEC 61000-4-8 IEC 61000-4-11	Immunity Characteristics Generic Emission Standard ESD Radiated Susceptibility Fast Transients Surge Immunity Immunity to Conducted Disturbance Magnetic Field Immunity Voltage Dips and Variations
cTick Mark	ACA (Australia) AS/NZS 4251 AS/NZS 3458	Generic Emissions Standard ITE
Electromagnetic Emissions (EMI)	FCC (USA) Title 47 CFR Ch. I, Part 15 Industry Canada (Canada) ICES-003 Issue 3 International (EU) EN 55022 EN 61000-3-2 EN 61000-3-3 VCCI (Japan) VCCI V-1/98.04	Class A Digital Device Class A Digital Device Class A ITE for Ethernet 10BaseT/100Base TX and optional ETRAX 100 board. Serial and parallel are Class B. Harmonic Current Emissions Voltage Fluctuations and Flicker Class A Digital Device
Energy Saver	ENERGY STAR (USA)	ENERGY STAR Compliant
Product Safety	UL (USA) cUL (Canada)	UL 1950, Third Edition CAN/CSA C22.2 No. 950-95
TUV/GS and CB Scheme	International (EU)	EN 60950 and IEC 60950
Laser Safety	CDRH (USA) International (EU)	Title 21 CFR Ch. I, Subchapter J EN 60825-1

FCC Compliance Statement

This equipment has been tested and found to comply with the limits for a Class A digital device, pursuant to Part 15 of the FCC Rules. These limits are designed to provide reasonable protection against harmful interference in a residential installation. This equipment generates, uses, and can radiate radio frequency energy and, if not installed and used in accordance with the instructions, may cause harmful interference to radio communications. However, there is no guarantee that interference will not occur in a particular installation. If this equipment does cause harmful interference to radio or television reception, which can be determined by turning the equipment off and on, the user is encouraged to try to correct the interference by one or more of the following measures:

- Reorient or relocate the receiving antenna.
- Increase the separation between the equipment and receiver.
- Connect the equipment into an outlet on a circuit different from that to which the receiver is connected.
- Consult the dealer or an experienced radio/TV technician for help.



A shielded cable is required to comply with the limits for a Class A digital device, pursuant to Part 15 of the FCC Rules.

This equipment has been tested and found to comply with the limits for a Class A digital device, pursuant to Part 15 of the FCC Rules. These limits are designed to provide reasonable protection against harmful interference in a commercial environment. This equipment generates, uses, and can radiate radio frequency energy, and, if not installed and used in accordance with the instruction manual, may cause harmful interference to radio communications. Operation of this equipment in a residential area is likely to cause harmful interference, in which case the user will be required to correct the interference at his/her own expense.

Attention

Any modifications or changes to this product not expressly approved in writing by the manufacturer responsible for compliance to Federal Regulations could void the user's authority to operate this product within the Laws and Regulations of the Federal Communications Commission.

EN 55022

This is a Class A device for Ethernet 10BaseT/100BaseTX and the optional EXTRAX 100 board. This is a Class B device for serial and parallel interfaces.

Canadian Users Notice

This Class A digital apparatus complies with Canadian ICES-003.

Cet appareil numérique de la classe A est conforme à la norme NMB-003 du Canada.

Laser Safety

This printer is certified as a Class 1 laser product under the U.S. Department of Health and Human Services (DHHS) Radiation Performance Standard according to the Radiation Control for Health and Safety Act of 1968. This means that the printer does not produce hazardous laser radiation.

Since radiation emitted inside the printer is completely confined within protective housings and external covers, the laser beam cannot escape from the machine during any phase of user operation.

International Notices

Power Cord

The following power cord requirements are in effect for the 220 V magicolor 6110 printer.

Minimum	0.75 mm ²
Minimum	H05 VV - F
The male plug is certified in the country in which the equipment is to be installed, and the female plug is an IEC 320 connector.	

Voltage

Attention Norwegian users: This equipment is designed to operate within an IT power system where the line-to-line voltage does not exceed 240 V.

Lithium Batteries

Attention Swiss users: Lithium batteries need to be disposed of in accordance with Annex 4.1 of SR814.013.

Warranty Considerations

Various factors can affect a printer's warranty. Two important ones are electrostatic discharge and consumables. Read your printer warranty carefully.

Attention

It's very important to protect the printer controller board and any associated daughterboard or module from electrostatic damage while performing any task involving the controller board.

These Actions Could Result in Voiding Your Warranty	
Instructions	Failure to follow instructions as outlined in your printer documentation.
Modifications	Any modifications or changes to this product not expressly approved in writing by the manufacturer responsible for compliance to Federal Regulations could void the user's authority to operate this product within the Laws and Regulations of the Federal Communications Commission.
Consumables	Use of consumables not manufactured by MINOLTA-QMS. For example, refilled toner cartridges may produce variations in toner quality and reliability, and can reduce the print quality of your documents. Any damage to the printer or quality problems caused by a refilled toner cartridge use will void your warranty.
Accessories	Use of accessories not manufactured/supported by MINOLTA-QMS.
Print Media	Use of of nonsupported print media.
OPC Belt	Any damage resulting from mishandling of the OPC belt cartridge (voids the warranty of the OPC belt cartridge).

Attention

Don't return any merchandise to the manufacturer without calling for a Return Merchandise Authorization (RMA) number. Refer to the *Service & Support Guide* for the Support telephone number where you can obtain an RMA number. If the printer is not strapped to the pallet or if the RMA number is not *prominently* visible on the outside of return inventory, MINOLTA-QMS will not accept receipt.

If MINOLTA-QMS printer failure or damage is found to be directly attributable to the use of non-MINOLTA-QMS approved consumables, print media, and/or accessories, MINOLTA-QMS will not repair the printer free of charge. In this

case, standard time and material charges will be applied to service your printer for that particular failure or damage.

Check with our web site www.minolta-qms.com for a list of current approved media.

To order consumables and accessories, go to www.q-shop.com or check the *Service & Support Guide* for the MINOLTA-QMS office closest to you.

If you have any questions, refer to www.minolta-qms.com.

Manufacturer's Declaration of Conformity

Europe 220 Volt

We:

MINOLTA-QMS Europe B.V.

(supplier's name)

Reactorweg 160, 3542 AD Utrecht, The Netherlands

(address)

declare under our sole responsibility that the product

magicolor 6110

(base product family name)

MC6100-V2-2

(model number located on dataplate)

SL3-U

(print engine model/type number)

to which this declaration relates is in conformity with the following standard(s) or other normative document(s)

EN 60950:1992+A1+A2+A3+A4+A11, CB Scheme in accordance with IEC 60950:1991+A1:1992+A2:1993+A3:1995+A4:1996, CB Certificate No. US-TUVR-0562

EN 60825-1:1994+A11, EN 55022:1998, EN 55024:1998,

EN 61000-3-2:1995+A1:1997+A2:1998, EN 61000-3-3:1995,

IEC 61000-4-2: 1995+A1:1998

IEC 61000-4-3:1995+A1:1998, IEC 61000-4-4:1995, IEC 61000-4-5:1995,

IEC 61000-4-6:1996, IEC 61000-4-8:1993 and IEC 61000-4-11:1994

(title and/or and number and date of issue of the standard(s) or other normative document(s))

(if applicable) following the provisions of 73/23/EEC, 89/336/EEC Directive(s).

Utrecht, The Netherlands—May, 2001

(place and date of issue)

Manufacturer's Declaration of Conformity

Latin America 110 Volt

We:

MINOLTA-QMS, Inc.

(supplier's name)

One Magnum Pass, Mobile, Alabama, USA, 36618

(address)

declare under our sole responsibility that the product

magicolor 6110

(base product family name)

MC6100-V2-1

(model number located on dataplate)

SL3-U

(print engine model/type number)

to which this declaration relates is in conformity with the following standard(s) or other normative document(s)

UL 1950 Third Edition, 1995; cUL CAN/CSA C22.2 No. 950-M95;

FCC Class A Digital Device Title 47 CFR Ch. I., Part 15 applies for systems configured with Token-Ring or LocalTalk interface installed;

Industry Canada ICES-003 Issue 3 Class A Digital Device applies for systems configured with Token-Ring or LocalTalk interface installed;

EPA ENERGY STAR Office Equipment Program;

CDRH Laser Safety Title 21 CFR Ch. I., Subchapter J;

MSDS Title 29 CFR Ch. XVII, Part 1910.1200.

(title and/or and number and date of issue of the standard(s) or other normative document(s))

(if applicable) following the provisions of N/A Directive(s).

Mobile, Alabama, USA—May, 2001

(place and date of issue)

Manufacturer's Declaration of Conformity

Latin America 220 Volt

We:

MINOLTA-QMS, Inc.

(supplier's name)

One Magnum Pass, Mobile, Alabama, USA, 36618

(address)

declare under our sole responsibility that the product

magicolor 6110

(base product family name)

MC6100-V2-2

(model number located on dataplate)

SL3-E

(print engine model/type number)

to which this declaration relates is in conformity with the following standard(s) or other normative document(s)

EN 60950:1992+A1+A2+A3+A4+A11, CB Scheme in accordance with IEC 60950:1991+A1:1992+A2:1993+A3:1995+A4:1996, CB Certificate No. US-TUVR-0562

EN 60825-1:1994+A11, EN 55022:1998, EN 55024:1998, EN 61000-3-2:1995+A1:1997+A2:1998, EN 61000-3-3:1995, IEC 61000-4-2: 1995+A1:1998

IEC 61000-4-3:1995+A1:1998, IEC 61000-4-4:1995, IEC 61000-4-5:1995, IEC 61000-4-6:1996, IEC 61000-4-8:1993 and IEC 61000-4-11:1994

(title and/or and number and date of issue of the standard(s) or other normative document(s))

(if applicable) following the provisions of 73/23/EEC, 89/336/EEC Directive(s).

Mobile, Alabama, USA—May, 2001

(place and date of issue)

