

PagePro® 1200W User's Guide

1800691-001B

Trademarks

The following are registered trademarks of MINOLTA-QMS, Inc.: QMS and the MINOLTA-QMS logo. Minolta, Fine-ART, and PagePro are trademarks of Minolta Co., Ltd. Other product names mentioned in this guide may also be trademarks or registered trademarks of their respective owners.

Proprietary Statement

The digitally encoded software included with your printer is Copyrighted © 2002 by MINOLTA-QMS, Inc. All Rights Reserved. This software may not be reproduced, modified, displayed, transferred, or copied in any form or in any manner or on any media, in whole or in part, without the express written permission of MINOLTA-QMS, Inc.

Copyright Notice

This manual is Copyrighted © 2002 by MINOLTA-QMS, Inc., One Magnum Pass, Mobile, AL 36618. All Rights Reserved. This document may not be copied, in whole or part, nor transferred to any other media or language, without written permission of MINOLTA-QMS, Inc.

Manual Notice

MINOLTA-QMS, Inc. reserves the right to make changes to this manual and to the equipment described herein without notice. Considerable effort has been made to ensure that this manual is free of inaccuracies and omissions. However, MINOLTA-QMS, Inc. makes no warranty of any kind including, but not limited to, any implied warranties of merchantability and fitness for a particular purpose with regard to this manual. MINOLTA-QMS, Inc. assumes no responsibility for, or liability for, errors contained in this manual or for incidental, special, or consequential damages arising out of the furnishing of this manual, or the use of this manual in operating the equipment, or in connection with the performance of the equipment when so operated.

Contents

Contents

1 Introduction

- 1.1 **Welcome**1-1
- 1.2 **Roadmap of this manual**1-2
Brief explanation of special type styles and method of
presentation1-3

2 Installing and setting up the printer

- 2.1 **Overview of the printer**2-1
External features2-1
Inside the printer2-2
Optional accessories2-3
Printer control panel2-4
- 2.2 **Installing your laser printer**2-5
Place of installation2-5
Storage of consumables and accessories2-5
Ambient conditions2-5
Space requirements2-6
- 2.3 **Setting up your laser printer**2-7
Turning the printer on and off2-11
Connecting the printer to a computer2-12

3 Installing the printer driver

- 3.1 **Minimum system requirements**3-1
- 3.2 **Notes on installing the printer driver**3-1
General information on the printer driver3-1
Information on installation using “Add Printer”3-2
- 3.3 **Installing the USB device driver and printer driver under
Windows XP**3-2
- 3.4 **Installing the USB device driver and printer driver under
Windows Me**3-11
- 3.5 **Installing the USB device driver and printer driver under
Windows 2000**3-15

3.6	Installing the USB device driver and printer driver under Windows 98.....	3-21
3.7	Installing the printer driver under Windows 95	3-26
3.8	Installing the printer driver under Windows NT 4.0	3-29
3.9	Uninstalling the printer driver and USB device driver	3-31
4	Working with the printer driver	
4.1	Displaying printer driver settings	4-1
4.2	Setup tab	4-4
4.3	Paper tab	4-5
4.4	Quality tab	4-6
4.5	Device Options Setting tab.....	4-7
5	Working with the Status Display	
5.1	Environment.....	5-1
5.2	Opening the Status Display	5-2
5.3	Using the Status Display	5-4
5.4	Closing the Status Display	5-5
6	Working with the printer	
6.1	Please note the following points:	6-1
	What should I watch out for when loading paper?.....	6-1
	What should I watch out for when loading envelopes?	6-1
	Which sizes of paper can I use?.....	6-2
	What types of paper can I use?.....	6-3
	Printable area	6-3
6.2	Using the panel button.....	6-4
6.3	Loading media	6-5
6.4	Determining the direction printed sheets	6-7
7	Installing printer options	
7.1	Installing the lower feeder unit (Tray 2)	7-1
7.2	Installing the face-up tray	7-3
8	Maintaining the printer	
8.1	Replacing the toner cartridge.....	8-2
8.2	Replacing the drum cartridge	8-6
8.3	Cleaning the printer.....	8-10

9 Troubleshooting

9.1	Clearing media jams	9-1
9.2	General printing problems	9-8
9.3	Print quality problems	9-8
9.4	Printer messages	9-11
	Indicator functions	9-11
	Status message	9-12
	Error messages.....	9-12
	Service message.....	9-13

10 Appendix

10.1	Safety specifications	10-1
10.2	Technical specifications	10-1
	Printer.....	10-1
	Lower feeder unit (option)	10-3
	Parallel interface connectors and cable	10-3
	USB interface connectors and cable.....	10-3
10.3	Our concern for environmental protection	10-4
	What is an ENERGY STAR product?	10-4
10.4	CE Marking (Declaration of Conformity)	10-4
	For European users	10-4
10.5	CISPR 22 and local rules	10-4
10.6	Acoustic Noise	10-4
10.7	Safety Information	10-5
	Warning and precaution symbols.....	10-5
	Meaning of symbols	10-5
10.8	Working safely with your laser printer	10-8
	Notes on your safety and operating safety.....	10-8
	Laser safety.....	10-10
	Internal laser radiation.....	10-10
	Laser caution label.....	10-10
	Laser safety label	10-11
	For United States users	10-11
	For users in all countries	10-12
	For Denmark users	10-12
	For Norway users.....	10-12
	For Finland, Sweden ssers	10-12
	Ozone release.....	10-13
	Dégagement d'ozone	10-13

11 Index

1 Introduction

1.1 Welcome

Thank you for purchasing a PagePro 1200W.

So you can use your new laser printer effectively and achieve the best possible results, this manual provides you with information on the following topics:

- Installing the printer driver
- Working with the printer driver and Status Display
- Working with the printer
- Caring for and maintaining the printer
- Troubleshooting

Read this manual carefully before operating your printer for the first time, and always keep the manual within easy reach.

1.2 Roadmap of this manual

The following table is designed to help you find the information you need. Alternatively, to find information on a specific problem quickly and precisely, refer to the index at the end of this manual.

No.	Title of chapter	Content of chapter
1	Introduction	Overview of this manual.
2	Setting up the printer	Information on how to set up the printer as well as an introduction to its features.
3	Installing a printer driver	A step-by-step explanation of the procedure for installing a printer driver.
4	Working with the printer driver	Overview of the Windows printer drivers.
5	Working with the Status Display	Details of how to use the Status Display.
6	Working with the printer	General information on how to use your printer, including supported media sizes and types, loading media, monitoring print jobs, and canceling print jobs.
7	Installing printer options	Detailed instructions on installing printer options: lower feeder unit and face-up tray.
8	Maintaining the printer	Information on how to replace consumables and clean the printer.
9	Troubleshooting	Information on identifying and solving printer problems.
10	Specifications	Technical specifications, safety information, and regulatory information.
	Index	Index of the contents of this manual.

Brief explanation of special type styles and method of presentation

Special type styles and methods of presentation are used in this manual to highlight various circumstances. The following examples will help you recognize and deal with the most important of these.



CAUTION OR WARNING

This is a caution or warning!

A caution alerts you to damage that could result to the printer by treating it improperly while a warning alerts you to the potential for bodily harm.

- The arrow refers you to safety measures that must be taken to prevent the hazard.



If you're using the Acrobat PDF version of this guide, click this icon to play a QuickTime video clip of the procedure described in the text. Acrobat Reader and a download link to QuickTime are provided on the *Utilities and Documentation* CD-ROM.

[MENU] button on the printer driver with the description "Menu"

- Single action to be performed (there are no other steps)

1 Step 1 of a series of actions

2 Step 2 of a series of actions.

? *Help is available here.*

- The approach that is suggested here is sure to get you to your desired result.



This is a helpful tip

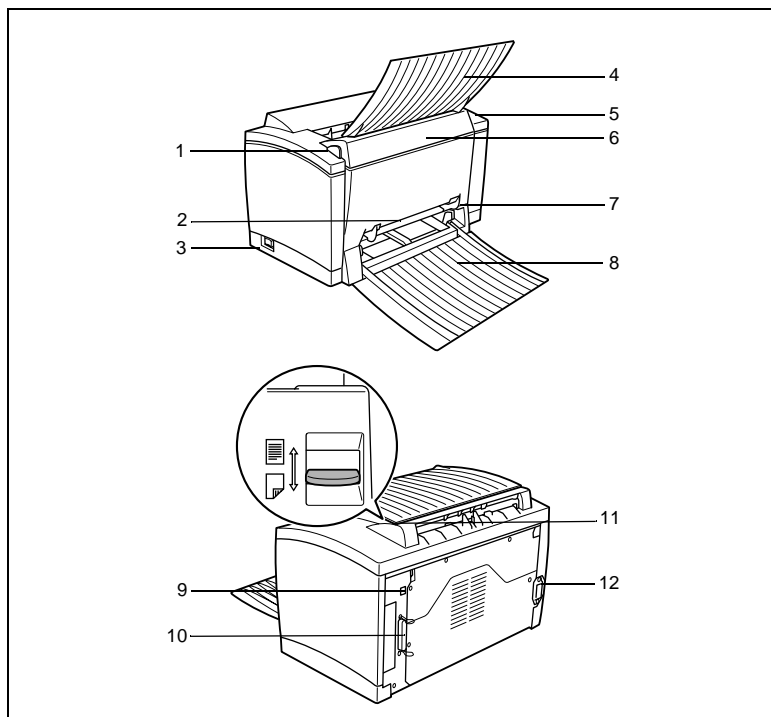
Text passages that are identified in this manner provide you with tips and tricks that make it even easier to work with the printer.

Here you can see what has to be done.

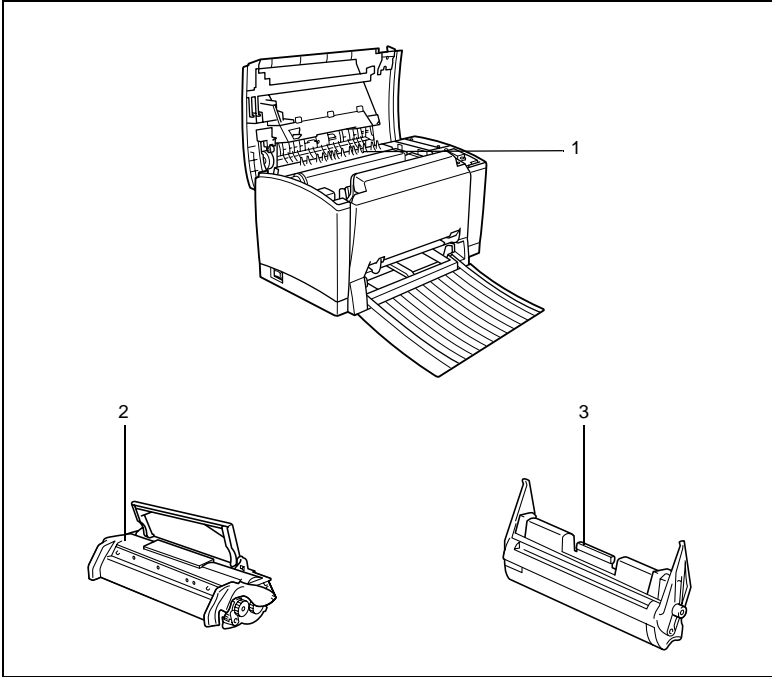
2 Installing and setting up the printer

2.1 Overview of the printer

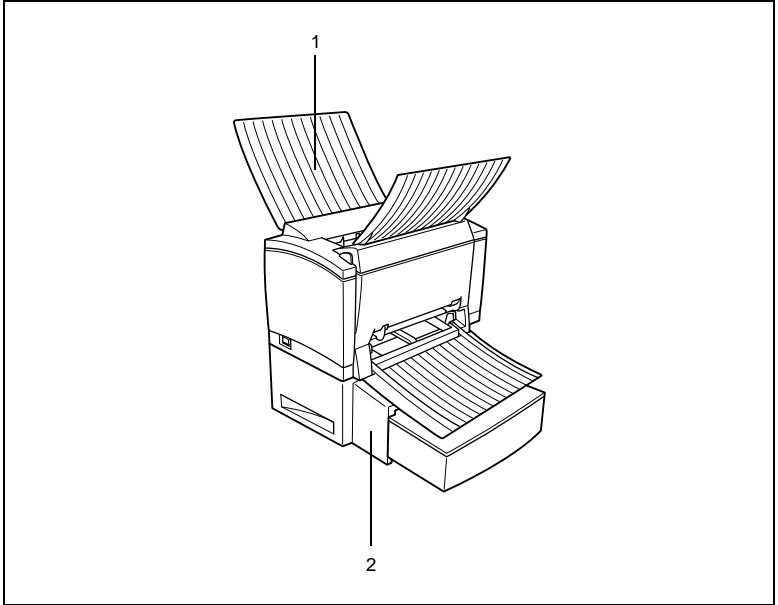
External features



No.	Description	No.	Description
1	Top cover release button	7	Paper guides for manual feed tray
2	Manual feed tray	8	Tray1 (multipurpose tray)
3	Power switch (ON/OFF)	9	USB interface connector
4	Face-down tray (printed side down)	10	Parallel interface connector
5	Control panel	11	Face-up/face-down selection switch (printed side up/down)
6	Top cover	12	Power cord socket

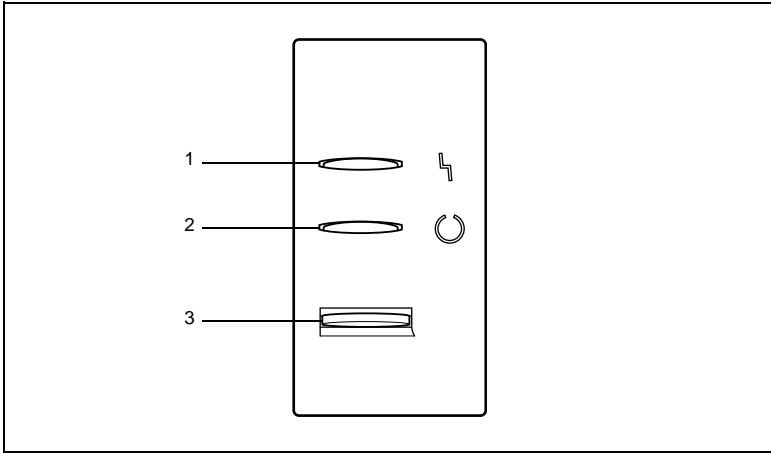
Inside the printer

No.	Description	No.	Description
1	Fusing unit	3	Drum cartridge
2	Toner cartridge		

Optional accessories

No.	Description	No.	Description
1	Face-up tray (printed side up)	2	Lower feeder unit (Tray 2) (500-sheet capacity)

Printer control panel



The control panel has two indicators and one button.

No.	Description
1	Error indicator (orange)
2	Ready indicator (green)
3	Panel button

For further information on the control panel, see chapter 6.

2.2 Installing your laser printer

Place of installation

Set up the printer in a place that is

- dry and free from dust
- on a stable surface
- well ventilated
- near an easily accessible power socket
- away from objects which might obstruct the printer's ventilation grille
- away from highly flammable items (such as curtains)
- away from splashing liquids
- away from organic gases (such as ammonia)
- away from direct sunlight
- away from severe temperature fluctuations
- away from exhaust-air from heating, ventilation, and air-conditioning systems

Storage of consumables and accessories

Printing consumables and accessories should be kept

- sealed in their original packaging
- protected from direct sunlight or heat
- protected from fluorescent light
- in a cool, dry, and dust-free place
- out of reach of children



WARNING

Toner poses a health hazard!

Toner is harmful if swallowed.

- If you swallow toner, consult a doctor immediately.
 - If you get toner on your hands, wash them immediately with cold water and soap.
-

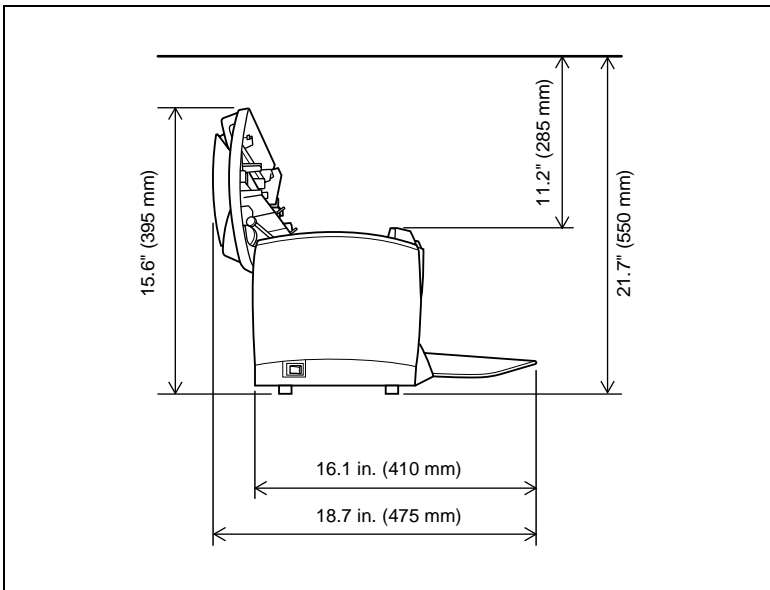
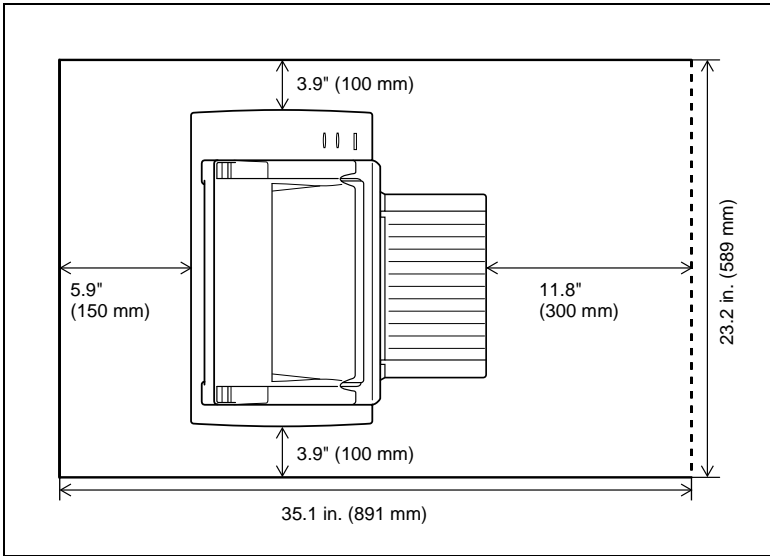
Ambient conditions

The optimum ambient conditions for your printer are as follows:

- Temperature range: 50°F–95°F/10°C–35°C with maximum fluctuations of 18°F/10°C per hour
- Humidity range: 15%–85% with maximum fluctuations of 20% per hour

Space requirements

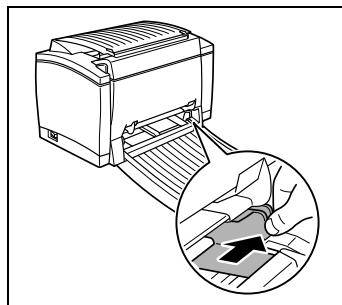
Be sure to provide enough space around the printer to ensure easy printer operation, paper and toner replacement, and maintenance.



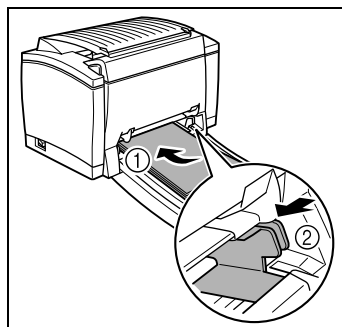
2.3 Setting up your laser printer

Loading paper in Tray 1

- 1 Lay Tray1 down flat.
- 2 Squeeze the right paper guide and open the media guides.

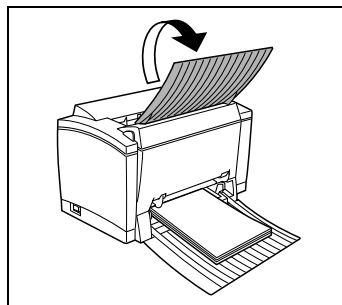


- 3 Place a stack of paper in the tray.
? *How many sheets may I place in the tray?*
→ Tray 1 has a capacity of 150 sheets of plain paper. The stack of paper should not rise above the media limit mark.

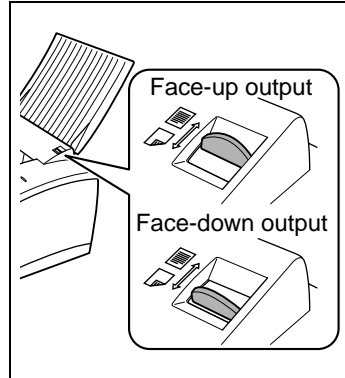


- 4 Squeeze the right paper guide and adjust the media guides so that both the left and right sides of the paper stack are secure.

- 5 Open the face-down tray.

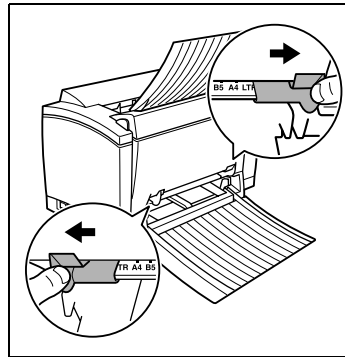


- If you installed an optional face-up tray and you want the sheets to come out face up, then open the face-up tray instead of the face-down tray, and set the face-up/face-down selection switch as shown.

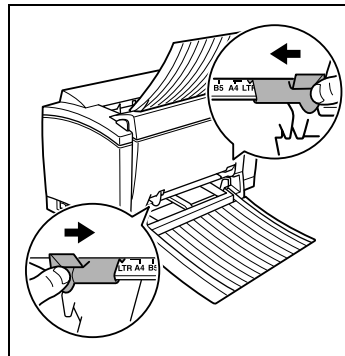


Loading media in the manual feed tray

- 1 Open the media guides.



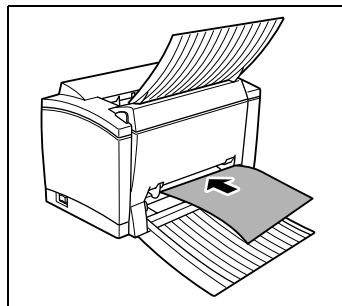
- 2 Move each media guide to the mark identifying the size of the media to be loaded. The illustration shows the media guide positions for letter-size media.



- 3 Insert a sheet of media as far as possible into the manual feed tray with the side to be printed facing up.

? *How many sheets may I place in the tray?*

- Load only one sheet of media at a time.



Connecting the power cord



WARNING

Use only the power cord shipped with the printer. Using the wrong power cord may lead to a short-circuit!

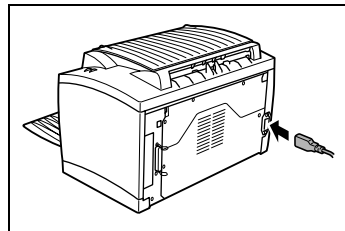
The use of a power cord of inadequate cross-section can lead to a short-circuit.

- Only use an extension cable which has a higher rating than the current consumption of the printer.
- Only use grounded cords.
- Always observe the relevant local regulations regarding the connection of electrical equipment to the main network.

The laser printer requires a non-fluctuating power supply. If necessary, ask an electrician for advice.

- ✓ Voltage: 110V - 10%, 127V + 6%, or 220-240V \pm 10%
- ✓ Frequency: 50-60Hz \pm 3Hz

- 1 Make sure that the printer's power switch is in the "O" (OFF) position.
- 2 Connect one end of the power cord to the power cord socket on the back of the printer, and plug the other end into a power outlet.



Turning the printer on and off



Note

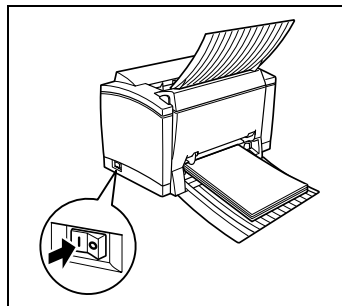
Improper handling may damage the printer!

- Never turn off the printer while a print job is in progress, the printer is receiving data from the computer (blinking green "Ready" indicator on control panel), or the printer is being reset.

- Set the power switch to the "I" (ON) position to turn on the printer.

The printer is ready to use in approximately 20 seconds. The green "Ready" indicator should be on (but not blinking) and the orange "Error" indicator off.

- Set the power switch to the "O" (OFF) position to turn off the printer.



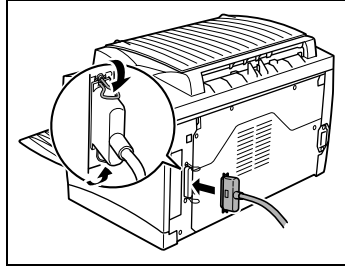
Saving energy is sensible!

When the printer has been inactive for 15 minutes, it automatically switches to the POWER SAVE mode. When the printer receives a new print job while in POWER SAVE mode, it automatically switches to the warmup phase and is ready to print within approximately 7 seconds.

Connecting the printer to a computer

Parallel interface

- 1 Turn off both the printer and the PC.
- 2 Connect one end of the interface cable to the parallel port on the PC.
- 3 Connect the other end of the interface cable to the parallel interface connector on the back of the printer. Secure the interface cable using the two clips.
- 4 Turn on the printer and then, when it's ready, turn on the PC.



? *Does the Windows operating system detect the new device?*

- If you are using Windows XP/Me/2000/98, plug-and-play printer driver installation should start automatically. Follow the instructions on the screen. See chapter 3 for more information.
- If you're using Windows XP/Me/2000/98 and plug-and-play driver installation doesn't start automatically, leave the printer on, unplug both ends of the interface cable, and then reconnect the cable. If this does not work, use the instructions in chapter 3 to install the printer driver manually.
- If you're using Windows 95/NT 4.0, use the instructions in chapter 3 to install the printer driver manually.

For technical specifications of the cable, see chapter 10.



Note

Using the wrong type of cable can damage the socket on the printer.

- Use only an IEEE 1284 type B shielded interface cable.

USB interface



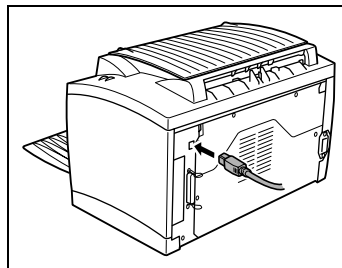
Note

Windows 95/NT4.0 do not support USB connections.

- 1 Turn off both the PC and the printer.
- 2 Turn on the PC.
- 3 Turn on the printer.
- 4 When Windows and the printer are both ready, connect one end of the interface cable to the PC's USB port .
- 5 Connect the other end of the interface cable to the USB interface connector on the back of the printer.

? *Does the Windows operating system detect the new device?*

- Plug-and-play driver installation should start automatically. Follow the instructions on the screen. See chapter 3 for more information.
- If plug-and-play driver installation doesn't start automatically, leave the printer on, unplug both ends of the interface cable, and the re-connect the cable. If this does not work, use the instructions in chapter 3 to install the printer driver manually.



For technical specifications of the cable, see chapter 10.



Note

Using the wrong type of cable can damage the socket on the printer.

- *Use only a USB Revision 1.1 compliant cable for connecting the printer to your computer.*

3 Installing the printer driver

3.1 Minimum system requirements

- IBM-compatible PC with a Pentium/Celeron series, AMD K6/Athlon/Duron family or compatible 200 MHz processor (300 MHz recommended)
- Windows XP/Me/2000/98/95/NT 4.0
- 16 MB RAM (Windows 98/95/NT 4.0), 32 MB RAM (Windows Me), 64 MB RAM (Windows 2000), or 128 MB RAM (Windows XP)
- 36 MB free hard disk space (20 MB for printer driver and status display, 16 MB for image processing)
- IEEE 1284 Type B parallel port or USB Revision 1.1 port
- CD-ROM drive

3.2 Notes on installing the printer driver

The installation program is designed so that even people not accustomed to working with computers can easily install a printer driver. You will be led step-by-step through the installation process. All you need to do is follow the installation program.

Before you begin the installation, you should know the following information:

- What operating system is running on your computer (for example, Windows XP)?
- What is the letter of your CD-ROM drive (for example, D)?
- Which optional accessories are installed on your printer (for example, a lower feeder unit)?
- Is your printer connected directly to your computer via a parallel interface cable or a USB cable?

General information on the printer driver

The printer driver is delivered on a CD-ROM along with the printer.



No CD-ROM drive?

You can download the printer driver from the Internet. You can find the latest version of the printer driver at <http://www.minolta-qms.com> (choose "Online Help & Drivers").

Information on installation using “Add Printer”

We strongly recommend that you install the printer driver using the Installer (“setup.exe” file). If you install the printer driver using the Add Printer wizard, note the following points:

- The dialog box for installing options is not displayed. Adjust the additional options after you have completed the installation in the printer driver.
- The Status Display and printer uninstaller utility will not be installed.
- A folder for storing the form overlay data is not created.

3.3 Installing the USB device driver and printer driver under Windows XP

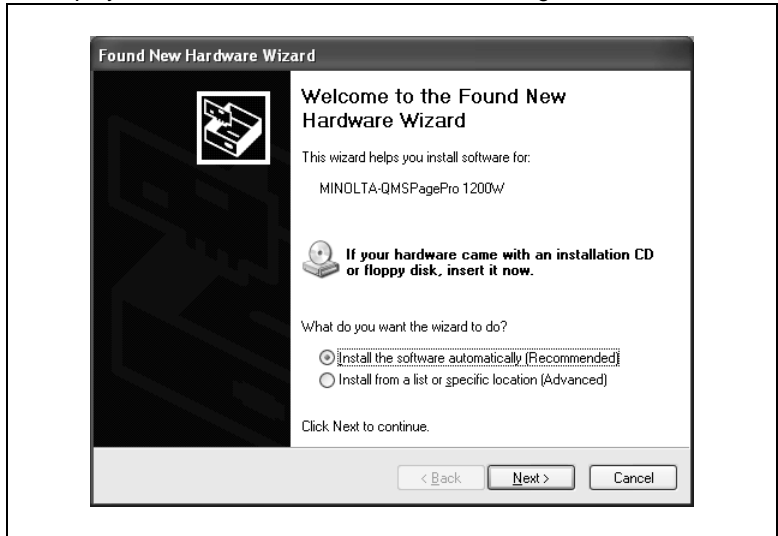
When connecting the printer to your PC with a USB cable, install the USB device driver according to the following instructions before installing the printer driver.

If you have connected the printer to your PC with a parallel cable, skip to the following section, “To install the printer driver using the Installer under Windows XP,” on page 3-6.

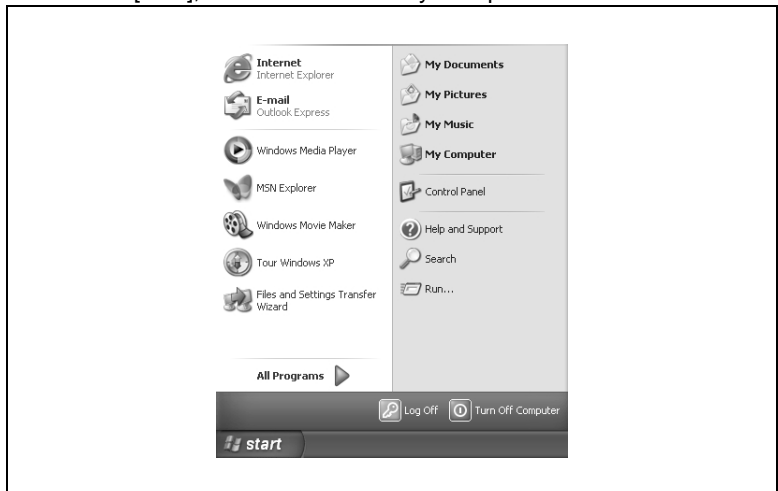
To install the USB Device Driver under Windows XP

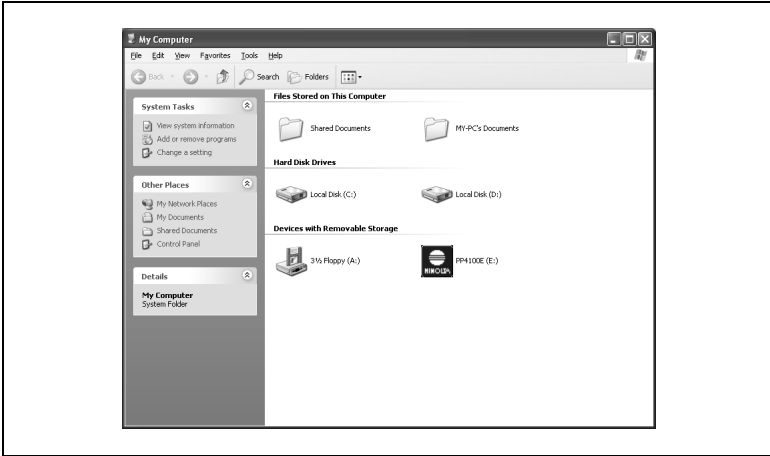
- 1 Turn on your PC.
- 2 Turn on the printer.
- 3 When Windows and the printer are both ready, insert the CD-ROM that came with your printer into your PC’s CD-ROM drive.

- 4 Connect the printer to the PC with the USB cable (see chapter 2) to display the Found New Hardware Wizard dialog box.



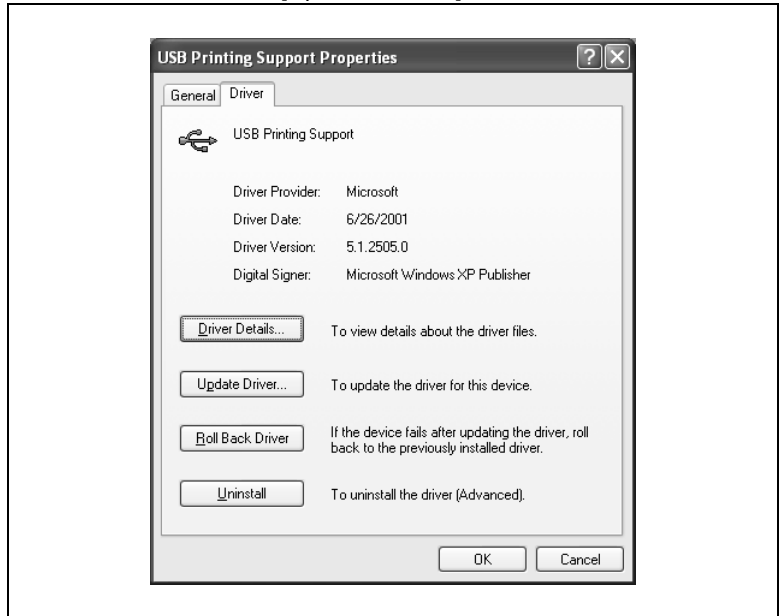
- 5 Choose [Cancel] to close the Found New Hardware Wizard dialog box.
- 6 Choose [start], and then choose "My Computer."



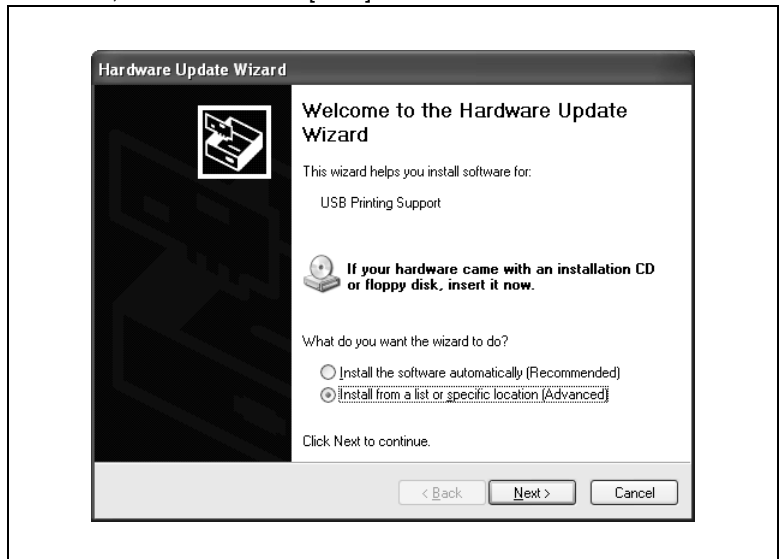
7 In the System Tasks list choose “View system information.”

- 8** Choose the “Hardware” tab of the System Properties dialog, and then choose the [Device Manager...] button.
- 9** Under “Universal Serial Bus controllers” double-click “USB Printing Support.” The USB Printing Support Properties dialog box displays.

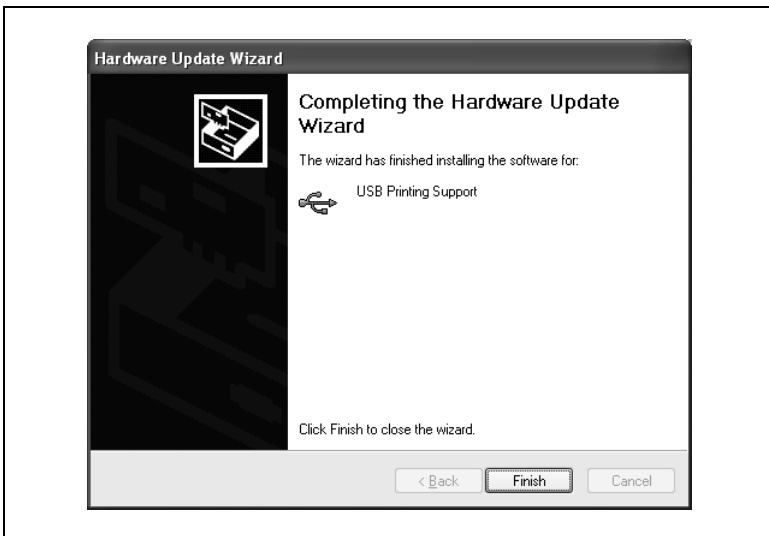
- 10 Choose the “Driver” tab of the USB Printing Support Properties dialog box, and then choose [Update Driver...].



- 11 Choose the “Install from a list or specific location (Advanced)” option button, and then choose [Next].



- 12 When the next dialog box appears, check the “Don’t search. I will choose the driver to install” box, and then choose [Next].
- 13 Choose [Have Disk...].
- 14 Choose [Browse...].
- 15 Browse the CD-ROM and navigate to “Drivers*language*\Win98USB.” Then, choose [Open].
- 16 Choose [OK], and then choose [Next].
- 17 Follow the instructions on the screen to complete the installation.
- 18 When the following dialog box displays, choose [Finish] to finish the installation.



This completes the installation of the USB device driver for the PagePro 1200W printer. Now go on to the following section to install the printer driver.

To install the printer driver using the Installer under Windows XP

The CD-ROM that came with your printer starts automatically after being loaded into the CD-ROM drive of your PC. You are guided step-by-step through the installation procedure.

- 1 With Windows running, insert the CD-ROM in the CD-ROM drive of your PC.

The installation program starts automatically.

? *What if the installation program does not start up automatically?*

- Browse to the CD-ROM directory. Then double-click “setup.exe” to start the installation program.

- 2 Follow the instructions for the installation program.

Once the printer driver has been successfully installed, the “MINOLTA-QMS PagePro 1200W” printer icon displays in the Printers dialog box.

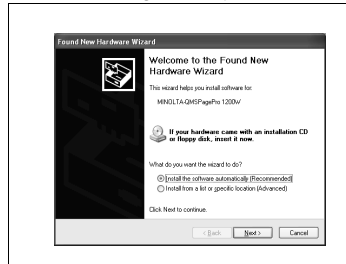
- 3 Remove the CD-ROM from your PC’s CD-ROM drive. This completes the installation of the printer driver.

To install the printer driver using Plug-and-Play under Windows XP

For a simple way of installing the printer driver, we recommend using the Installer (see the previous section). However, there are other ways of installing the printer driver without using the installer. This section describes Plug-and-Play installation.

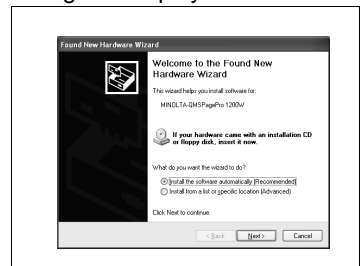
Parallel

- 1 After connecting the printer to your PC with the parallel cable, turn on the printer.
- 2 Turn on the PC. After Windows starts, the Found New Hardware Wizard dialog displays.



USB

- 1 Turn on the PC, and then turn on the printer.
- 2 When Windows and the printer are both ready, connect the printer to the PC with the USB cable (see chapter 2). The Found New Hardware Wizard dialog box displays.



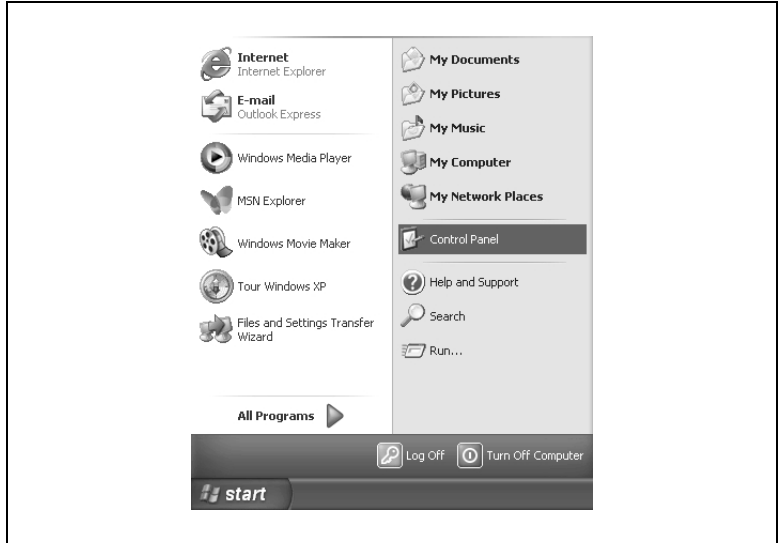
- 3 Insert the CD-ROM that came with your printer into your PC’s CD-ROM drive, and then choose [Next]. Check the “Install from a list or specific location (Advanced)” option button, and then click [Next].

- 4 Check the “Don’t search, I will choose the driver to install” option button, and then choose [Next].
- 5 Select “Printers” in the Common hardware types list, and then choose [Next].
- 6 Choose [Have Disk], and then choose [Browse].
- 7 Browse the CD-ROM and navigate to “\Drivers\language\Win2000.”
- 8 Choose [Open].
- 9 Choose [OK], and then choose [Next].
- 10 Follow the instructions on the screen to complete the installation.
- 11 Check that the “MINOLTA-QMS PagePro 1200W” printer icon is displayed in the Printers dialog box.
- 12 Remove the CD-ROM from your PC’s CD-ROM drive. This completes the installation of the printer driver.

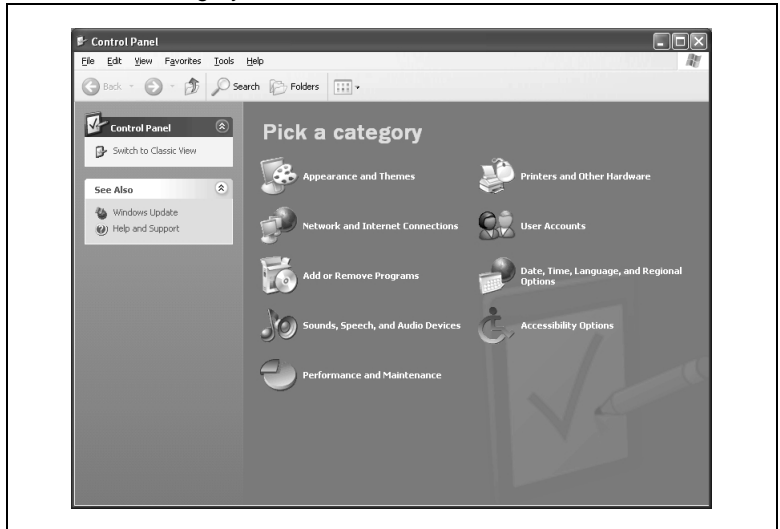
To install the printer driver using the Add Printer Wizard under Windows XP

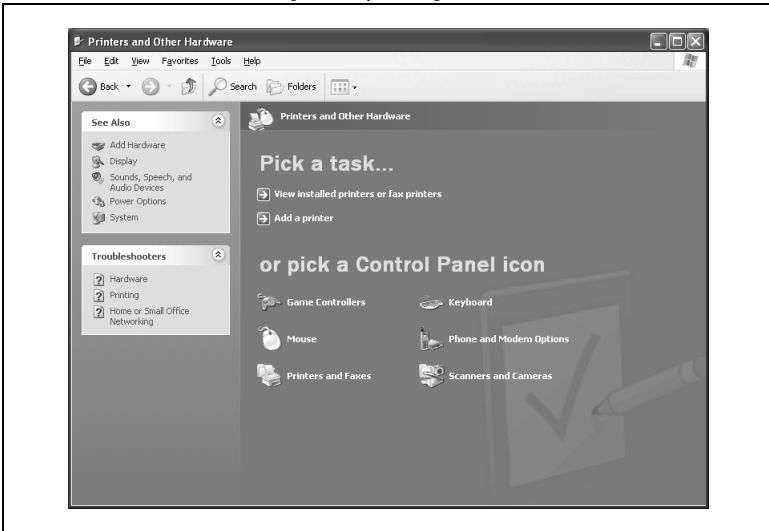
- 1 Turn on the PC.
- 2 After Windows starts, insert the CD-ROM that came with your printer into your PC’s CD-ROM drive.

3 Choose [start], and then choose “Control Panel.”



4 In “Pick a category” choose “Printers and Other Hardware.”



5 In “Pick a task” choose [Add a printer].**6** Choose [Next].**7** Select “Local printer attached to this computer.”

- Do not check the “Automatically detect and install my Plug and Play printer” box.

8 Choose [Next].**9** Choose the “Use the following port:” button, select the port you want to use, and then choose [Next].

If you are using a parallel connection, select “LPTx:” (x=1, 2, etc.).

If you are using a USB connection, select “USB001.”

10 Choose [Have Disk], and then choose [Browse].**11** Browse the CD-ROM and navigate to “\Drivers\language\Win2000.”**12** Choose [Open].**13** Choose [OK], and then choose [Next].**14** Follow the instructions on the screen to complete the installation.**15** Check that the “MINOLTA-QMS PagePro 1200W” printer icon is displayed in the Printers dialog box.

- 16 Remove the CD-ROM from your PC's CD-ROM drive. This completes the installation of the printer driver.

3.4 Installing the USB device driver and printer driver under Windows Me

When connecting the printer to your PC with a USB cable, install the USB device driver according to the following instructions before installing the printer driver.

If you have connected the printer to your PC with a parallel cable, skip to the following section, "To install the printer driver using the Installer under Windows Me," on page 3-12.

To install the USB device driver under Windows Me

- 1 Turn on your PC.
- 2 Turn on the printer.
- 3 When Windows and the printer are both ready, insert the CD-ROM that came with your printer into your PC's CD-ROM drive.
- 4 Connect the printer to the PC with the USB cable (see chapter 2) to display the Add New Hardware Wizard dialog box.



- 5 Check the "Specify the location of the driver (Advanced)" option button, and then choose [Next].

- 6 Check the “Search for the best driver for your device.” (Recommended).” option button, check the “Specify a location” box, and then choose [Browse...].
- 7 Browse the CD-ROM and navigate to “\Drivers\language\Win98USB.”
- 8 Choose [OK].
- 9 Follow the instructions that appear on the screen to complete the installation.
- 10 When the following dialog box displays, choose [Finish] to finish the installation.



- 11 This completes the installation of the USB device driver for the MINOLTA-QMS PagePro 1200W printer. Now go to the following section to install the printer driver.

To install the printer driver using the Installer under Windows Me

The CD-ROM that came with your printer starts automatically after being loaded into the CD-ROM drive of your PC. You are guided step-by-step through the installation procedure.

- 1 With Windows running, insert the CD-ROM that came with your printer into your PC's CD-ROM drive.

The installation program starts automatically.

? *What if the installation program does not start up automatically?*

- Browse the CD-ROM and double-click “setup.exe” to start the installation program.

- 2 Follow the instructions for the installation program.
Once the printer driver has been successfully installed, the "MINOLTA-QMS PagePro 1200W" printer icon displays in the Printers dialog box.
- 3 Remove the CD-ROM from your PC's CD-ROM drive. This completes the installation of the printer driver.

To install the printer driver using Plug-and-Play under Windows Me

For a simple way of installing the printer driver, we recommend using the Installer (see the previous section). However, there are other ways of installing the printer driver without using the installer.

This section describes Plug-and-Play installation with a parallel connection.

- 1 After connecting the printer to your PC with the parallel cable, turn on the printer.
- 2 Turn on the PC. After Windows starts, the Add New Hardware Wizard dialog displays.

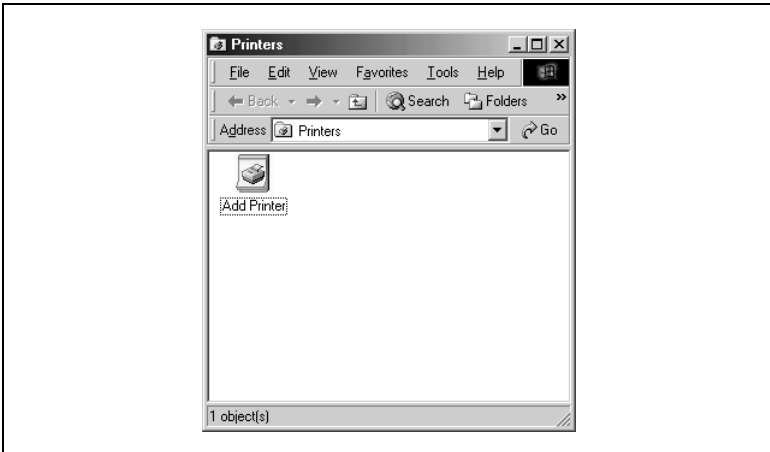


- 3 Insert the CD-ROM that came with your printer into your PC's CD-ROM drive, click the "Specify the location of the driver (Advanced)" button, and then choose [Next].
- 4 Choose the "Search for the best driver for your device. (Recommended)." option button, check the "Specify a location:" box, and then choose [Browse].

- 5 Browse the CD-ROM and navigate to “\Drivers\language\Win9x.”
- 6 Choose [OK], and then choose [Next] twice.
- 7 Follow the instructions on the screen to complete the installation.
- 8 Check that the “MINOLTA-QMS PagePro 1200W” printer icon is displayed in the Printers dialog box.
- 9 Remove the CD-ROM from your PC’s CD-ROM drive. This completes the installation of the printer driver.

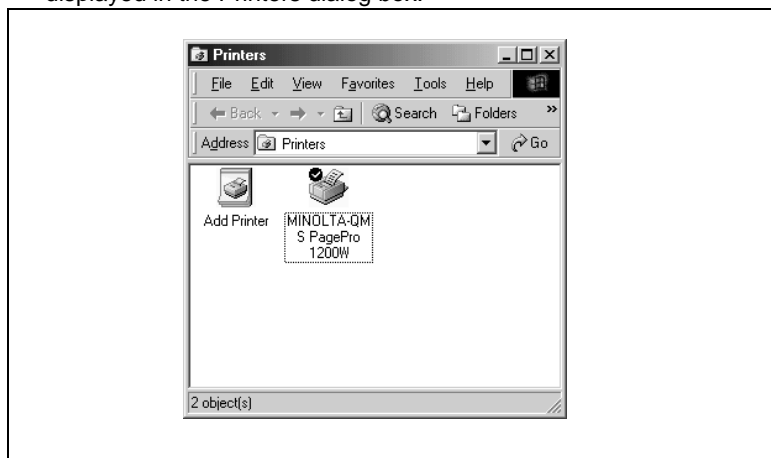
To install the printer driver using the Add Printer Wizard under Windows Me

- 1 Turn on the PC.
- 2 After Windows starts, insert the CD-ROM that came with your printer into your PC’s CD-ROM drive.
- 3 Choose [Start], point to “Settings,” and then choose “Printers.”
- 4 Double-click the “Add Printer” icon.



- 5 Choose [Next].
- 6 Select “Local Printer.”
- 7 Choose [Next].
- 8 Choose [Have Disk], and then choose [Browse].

- 9 Browse the CD-ROM and navigate to “\Drivers\language\Win9x.”
- 10 Choose [OK].
- 11 Choose [OK], and then choose [Next].
- 12 Select the appropriate port, and then choose Next.
If you are using a parallel connection, select “LPTx:” (x=1, 2, etc.).
If you are using a USB connection, select “USB001:”
- 13 Follow the instructions on the screen to complete the installation.
- 14 Check that the “MINOLTA-QMS PagePro 1200W” printer icon is displayed in the Printers dialog box.



- 15 Remove the CD-ROM from your PC's CD-ROM drive. This completes the installation of the printer driver.

3.5 Installing the USB device driver and printer driver under Windows 2000

When connecting the printer to your PC with a USB cable, install the USB device driver according to the following instructions before installing the printer driver.

If you have connected the printer to your PC with a parallel cable, skip to the following section, “To install the printer driver using the Installer under Windows 2000,” on page 3-18.

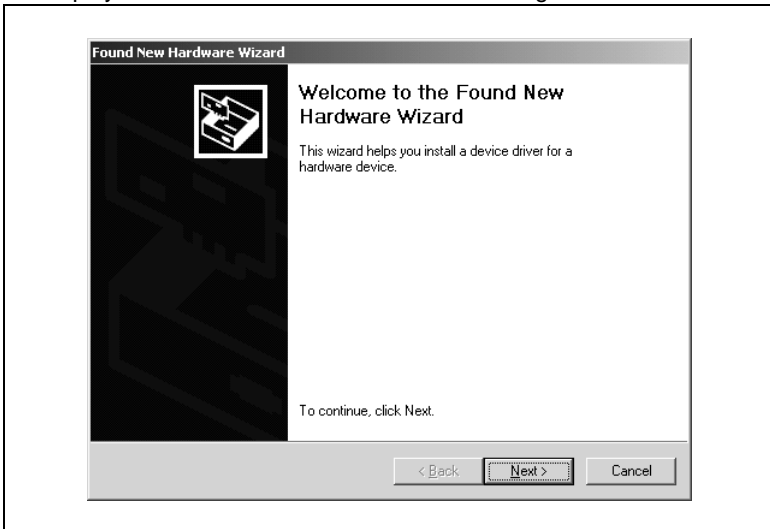
To install the USB device driver under Windows 2000

If the printer is connected to the computer using a USB cable, USB

Printing Support may automatically be incorporated, depending on the operating system. In order to activate all functions of the PagePro 1200W, the USB device driver for PagePro 1200W must be installed.

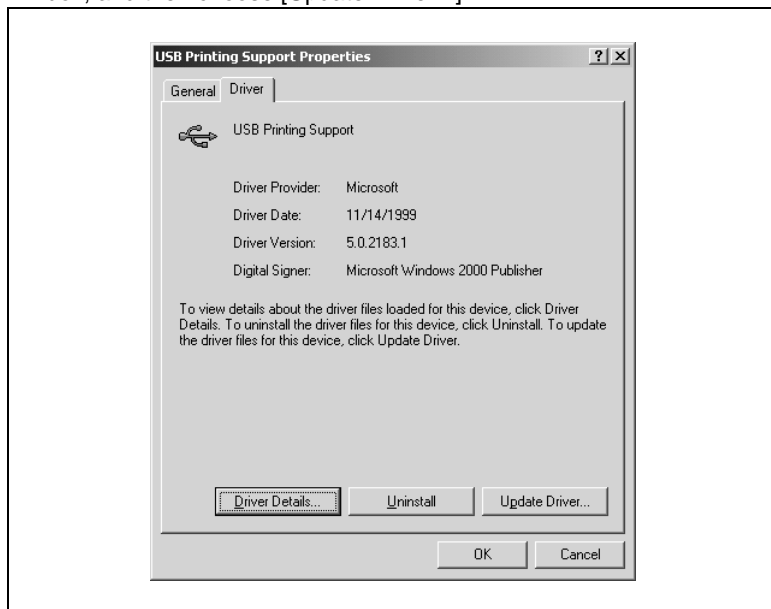
Install the USB device driver for PagePro 1200W according to the following procedure.

- 1 Turn on your PC.
- 2 Turn on the printer.
- 3 When Windows and the printer are both ready, insert the CD-ROM that came with your printer into your PC's CD-ROM drive.
- 4 Connect the printer to the PC with the USB cable (see chapter 2) to display the Found New Hardware Wizard dialog box.



- 5 Choose [Cancel] to close the Found New Hardware Wizard dialog box.
- 6 Right-click the "My Computer" icon on the desktop, and then choose "Properties" in the shortcut menu that appears. The System Properties dialog box displays.
- 7 Choose the "Hardware" tab of the System Properties dialog, and then choose the [Device Manager...] button.
- 8 Under "Universal Serial Bus controllers" double-click "USB Printing Support." The USB Printing Support Properties dialog box displays.

- 9 Chose the “Driver” tab of the USB Printing Support Properties dialog box, and then choose [Update Driver...].



- 10 Choose [Next] to display the next dialog box.



- 11 Check the “Search a suitable driver for my device (recommended)” option button, and then choose [Next].

- 12 When the next dialog box displays, check the “Specify a location” box, and then choose [Next].
- 13 Choose [Browse...].
- 14 Browse the CD-ROM and navigate to “Drivers\language\Win98USB.”
- 15 Choose [Open].
- 16 Choose [OK], and then choose [Next].
- 17 Follow the instructions on the screen to complete the installation.
- 18 When the following dialog box displays, choose [Finish] to finish the installation.



This completes the installation of the USB device driver for the PagePro 1200W printer. Now go on to the following section to install the printer driver.

To install the printer driver using the Installer under Windows 2000

The CD-ROM that came with your printer starts automatically after being loaded into the CD-ROM drive of your PC. You are guided step-by-step through the installation procedure.

- 1 With Windows running, insert the CD-ROM that came with your printer into your PC's CD-ROM drive.

The installation program starts automatically.

? *What if the installation program does not start up automatically?*

→ Browse to the CD-ROM directory. Then double-click “setup.exe” to start the installation program.

2 Follow the instructions for the installation program.

Once the printer driver has been successfully installed, the “MINOLTA-QMS PagePro 1200W” printer icon displays in the Printers dialog box.

3 Remove the CD-ROM from your PC’s CD-ROM drive. This completes the installation of the printer driver.

To install the printer driver using Plug-and-Play under Windows 2000

For a simple way of installing the printer driver, we recommend using the Installer (see the previous section). However, there are other ways of installing the printer driver without using the installer. This section describes Plug-and-Play installation.

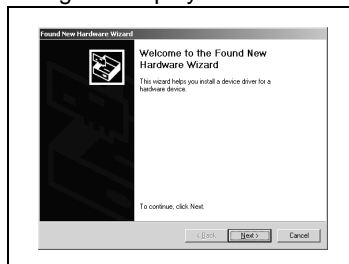
Parallel

- 1 After connecting the printer to your PC with the parallel cable, turn on the printer.
- 2 Turn on the PC. After Windows starts, the Found New Hardware Wizard dialog displays.



USB

- 1 Turn on the PC, and then turn on the printer.
- 2 When Windows and the printer are both ready, connect the printer to the PC with the USB cable (see chapter 2). The Found New Hardware Wizard dialog box displays.

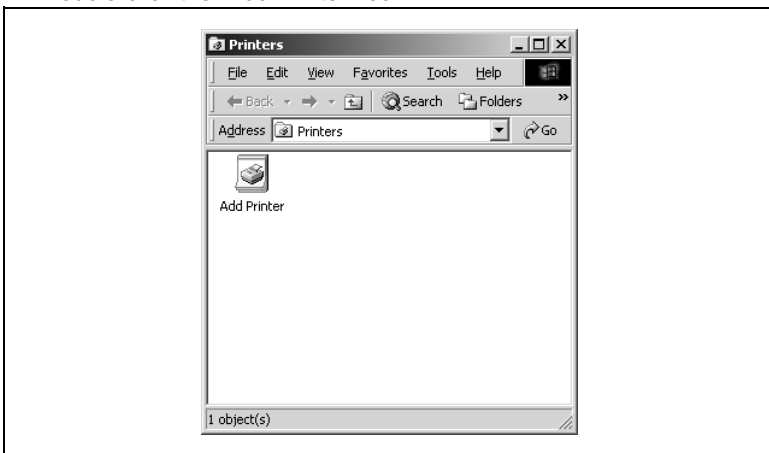


- 3 Insert the CD-ROM that came with your printer into your PC’s CD-ROM drive, and then choose [Next].
- 4 Check the “Display a list of the known drivers for this device so that I can choose a specific driver” option button, and then choose [Next].

- 5 Choose “Printers,” and then choose [Next].
- 6 Choose [Have Disk...], and then choose [Browse...].
- 7 Browse the CD-ROM and navigate to “\Drivers*language*\Win2000.”
- 8 Choose [Open].
- 9 Choose [OK], and then choose [Next].
- 10 Follow the instructions on the screen to complete the installation.
- 11 Check that the “MINOLTA-QMS PagePro 1200W” printer icon is displayed in the Printers dialog box.
- 12 Remove the CD-ROM from your PC’s CD-ROM drive. This completes the installation of the printer driver.

To install the printer driver using the Add Printer Wizard under Windows 2000

- 1 Turn on the PC
- 2 After Windows starts, insert the CD-ROM that came with your printer into your PC’s CD-ROM drive.
- 3 Choose [Start], point to “Settings,” and then choose “Printers.”
- 4 Double-click the “Add Printer” icon.



- 5 Click [Next].

- 6 Select "Local Printer."
 - o Do not check the "Automatically detect and install my Plug and Play printer" box.
- 7 Choose [Next].
- 8 Choose the "Use the following port:" button, select the port you want to use, and then choose [Next].

If you are using a parallel connection, select "LPTx:" (x=1, 2, etc.).
If you are using a USB connection, select "USB001."
- 9 Choose [Have Disk], and then choose [Browse].
- 10 Browse the CD-ROM and navigate to "\Drivers\language\Win2000."
- 11 Choose [Open].
- 12 Choose [OK], and then choose [Next].
- 13 Follow the instructions on the screen to complete the installation.
- 14 Check that the "MINOLTA-QMS PagePro 1200W" printer icon is displayed in the Printers dialog box.
- 15 Remove the CD-ROM from your PC's CD-ROM drive. This completes the installation of the printer driver.

3.6 Installing the USB device driver and printer driver under Windows 98

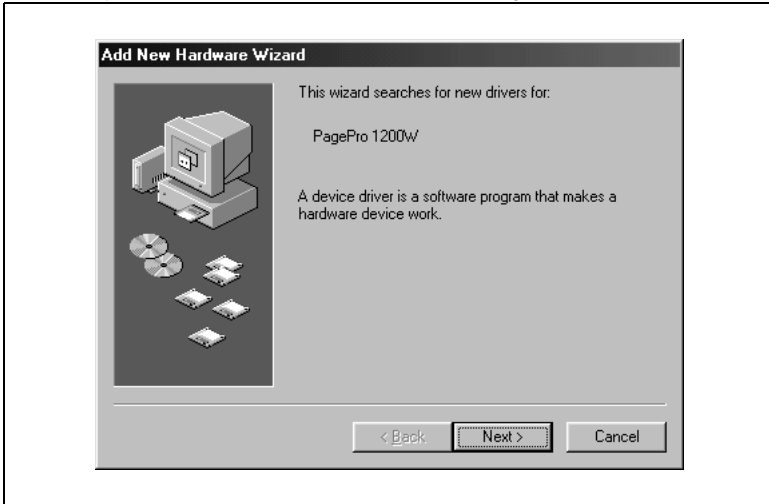
When connecting the printer to your PC with a USB cable, install the USB device driver according to the following instructions before installing the printer driver.

If you have connected the printer to your PC with a parallel cable, skip to the following section, "To install the printer driver using the Installer under Windows 98," on page 3-23.

To install the USB device driver under Windows 98

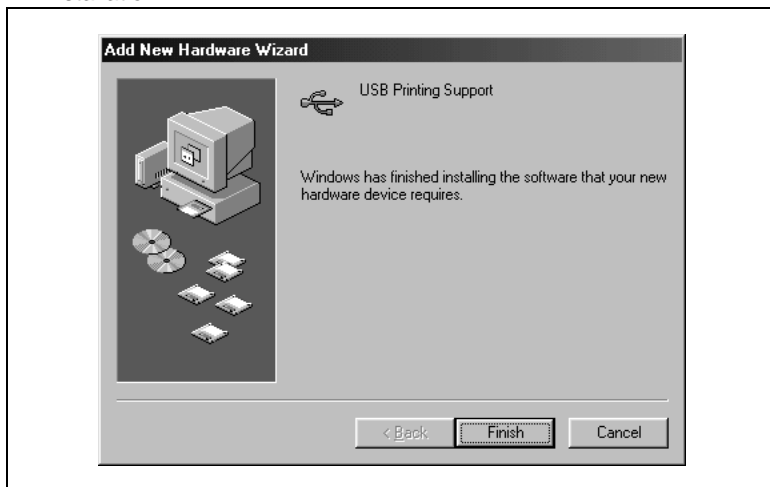
- 1 Turn on your PC.
- 2 Turn on the printer.
- 3 When Windows and the printer are both ready, insert the CD-ROM that came with your printer into your PC's CD-ROM drive.

- 4 Connect the printer to the PC with the USB cable (see chapter 2) to display the Add New Hardware Wizard dialog box.



- 5 Choose [Next] to display the next dialog box.
- 6 Check the “Search for the best driver for your device. (Recommended).” option button, and then choose [Next].
- 7 When the next dialog box appears, check the “Specify a location” box, and then choose [Browse...].
- 8 Browse the CD-ROM and navigate to “Drivers\language\Win98USB.”
- 9 Choose [OK].
- 10 Follow the instructions on the screen to complete the installation.

- 11 When the following dialog box displays, choose [Finish] to finish the installation.



- 12 This completes the installation of the USB device driver for the PagePro 1200W printer. Now go to the following section to install the printer driver.

To install the printer driver using the Installer under Windows 98

The CD-ROM that came with your printer starts automatically after being loaded into the CD-ROM drive of your PC. You are guided step-by-step through the installation procedure.

- 1 With Windows running, insert the CD-ROM in the CD-ROM drive of your PC.

The installation program starts automatically.

? *What if the installation program does not start up automatically?*

→ In Windows Explorer browse to the CD-ROM directory. Then double-click "setup.exe" to start the installation program.

- 2 Follow the instructions for the installation program.

Once the printer driver has been successfully installed, the "MINOLTA-QMS PagePro 1200W" printer icon displays in the Printers dialog box.

- 3 Remove the CD-ROM from your PC's CD-ROM drive. This completes the installation of the printer driver.

To install the printer driver using Plug-and-Play under Windows 98

For a simple way of installing the printer driver, we recommend using the Installer (see the previous section). However, there are other ways of installing the printer driver without using the Installer.

This section describes Plug-and-Play installation with a parallel connection.

- 1 After connecting the printer to your PC with the parallel cable, turn on the printer.
- 2 Turn on the PC. After Windows starts, the Add New Hardware Wizard dialog box displays.

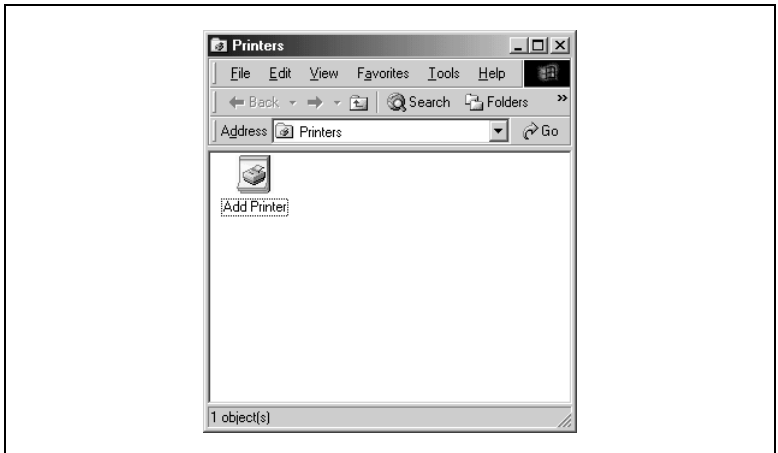


- 3 Insert the CD-ROM that came with your printer into your PC's CD-ROM drive, and then choose [Next].
- 4 Choose the "Search for the best driver for your device. (Recommended)." button, and then choose [Next].
- 5 Check the "Specify a location:" box, and then choose [Browse...].
- 6 Browse the CD-ROM and navigate to "\Drivers\language\Win9x."
- 7 Choose [OK], and then choose [Next] twice.
- 8 Follow the instructions on the screen to complete the installation.

- 9 Check that the “MINOLTA-QMS PagePro 1200W” printer icon is displayed in the Printers dialog box. To display the Printers dialog box, choose [Start], point to [Settings], and then choose [Printers].
- 10 Remove the CD-ROM from your PC’s CD-ROM drive. This completes the installation of the printer driver.

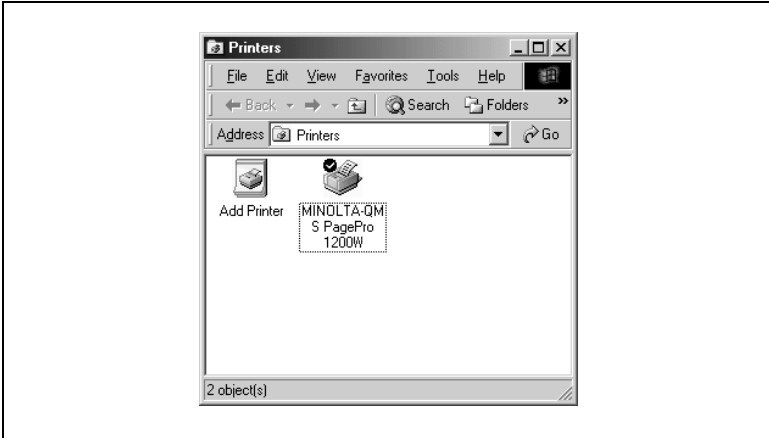
To install the printer driver using the Add Printer Wizard under Windows 98

- 1 Turn on the PC
- 2 After Windows starts, insert the CD-ROM that came with your printer into your PC’s CD-ROM drive.
- 3 Choose [Start], point to “Settings,” and then choose “Printers.”
- 4 Double-click the “Add Printer” icon.



- 5 Click [Next].
- 6 Select “Local Printer.”
- 7 Choose [Next].
- 8 Choose [Have Disk], and then choose [Browse].
- 9 Browse the CD-ROM and navigate to “\Drivers\language\Win9x.”
- 10 Choose [OK].

- 11 Choose [OK], and then choose [Next].
- 12 Select the appropriate port, and then choose [OK].
If you are using a parallel connection, select "LPTx:" (x=1, 2, etc.).
If you are using a USB connection, select "USB001."
- 13 Follow the instructions on the screen to complete the installation.
- 14 Check that the "MINOLTA-QMS PagePro 1200W" printer icon is displayed in the Printers dialog box.



- 15 Remove the CD-ROM from your PC's CD-ROM drive. This completes the installation of the printer driver.

3.7 Installing the printer driver under Windows 95

To install the printer driver using the Installer under Windows 95

The CD-ROM that came with your printer starts automatically after being loaded into the CD-ROM drive of your PC. You are guided step-by-step through the installation procedure.

- 1 With Windows running, insert the CD-ROM in the CD-ROM drive of your PC.

The installation program starts automatically.

? *What if the installation program does not start up automatically?*

- In Windows Explorer browse to the CD-ROM directory. Then double-click "setup.exe" to start the installation program.

- 2 Follow the instructions for the installation program.
Once the printer driver has been successfully installed, the "MINOLTA-QMS PagePro 1200W" printer icon displays in the Printers dialog box.
- 3 Remove the CD-ROM from your PC's CD-ROM drive. This completes the installation of the printer driver.

To install the printer driver using Plug-and-Play under Windows 95

For a simple way of installing the printer driver, we recommend using the Installer (see the previous section). However, there are other ways of installing the printer driver without using the Installer.

This section describes Plug-and-Play installation with a parallel connection. Windows 95 does not support USB connections.

- 1 After connecting the printer to your PC with the parallel cable, turn on the printer.
- 2 Turn on the PC. After Windows starts, the Update Device Driver Wizard dialog box displays.

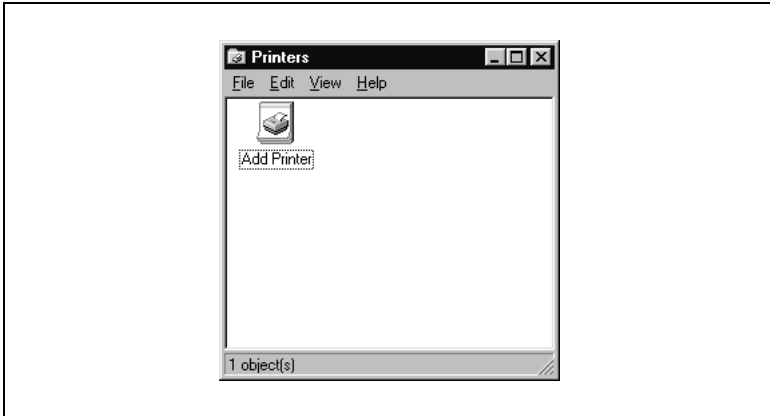


- 3 Insert the CD-ROM that came with your printer into your PC's CD-ROM drive, and then choose [Next].
- 4 Choose [Other Locations], and then choose [Browse].
- 5 Browse the CD-ROM and navigate to "\Drivers\language\Win9x."
- 6 Choose [OK].
- 7 Follow the instructions on the screen to complete the installation.

- 8 Check that the “MINOLTA-QMS PagePro 1200W” printer icon is displayed in the Printers dialog box.
- 9 Remove the CD-ROM from your PC’s CD-ROM drive. This completes the installation of the printer driver.

To install the printer driver using the Add Printer Wizard under Windows 95

- 1 Turn on the PC.
- 2 After Windows starts, insert the CD-ROM that came with your printer into your PC’s CD-ROM drive.
- 3 Choose [Start], point to “Settings,” and then choose “Printers.”
- 4 Double-click the “Add Printer” icon.



- 5 Choose [Next].
- 6 Select “Local Printer.”
- 7 Choose [Next].
- 8 Choose [Have Disk], and then choose [Browse].
- 9 Browse the CD-ROM and navigate to “\Drivers\language\Win9x.”
- 10 Choose [OK] twice, and then choose [Next].
- 11 Follow the instructions on the screen to complete the installation

- 12 Check that the “MINOLTA-QMS PagePro 1200W” printer icon is displayed in the Printers dialog box.
- 13 Remove the CD-ROM from your PC’s CD-ROM drive. This completes the installation of the printer driver.

3.8 Installing the printer driver under Windows NT 4.0

To install the printer driver using the Installer under Windows NT 4.0

The CD-ROM that came with your printer starts automatically after being loaded into the CD-ROM drive of your PC. You are guided step-by-step through the installation procedure.

- 1 With Windows running, insert the CD-ROM in the CD-ROM drive of your PC.

The installation program starts automatically.

? *What if the installation program does not start up automatically?*

→ In Windows Explorer browse to the CD-ROM directory. Then double-click “setup.exe” to start the installation program.

- 2 Follow the instructions for the installation program.

Once the printer driver has been successfully installed, the “MINOLTA-QMS PagePro 1200W” printer icon displays in the Printers dialog box.

- 3 Remove the CD-ROM from your PC’s CD-ROM drive. This completes the installation of the printer driver.

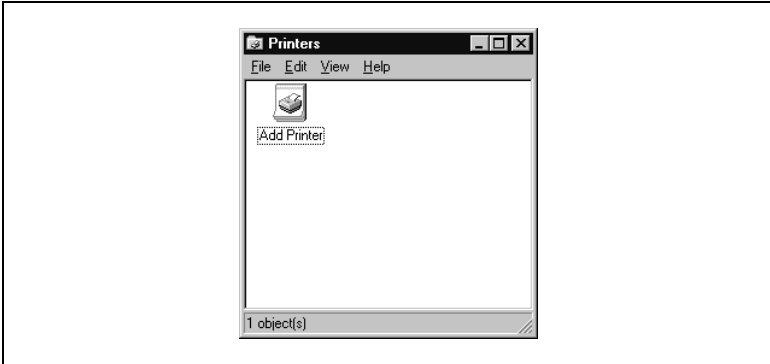
To install the printer driver using the Add Printer Wizard under Windows NT 4.0

For a simple way of installing the printer driver, we recommend using the Installer (see the previous section). However, there are other ways of installing the printer driver without using the Installer.

This section describes Plug-and-Play installation with a parallel connection. Windows NT 4.0 does not support USB connections.

- 1 Turn on the PC.
- 2 After Windows starts, insert the CD-ROM that came with your printer into your PC’s CD-ROM drive.
- 3 Choose [Start], point to “Settings,” and then choose “Printers.”

- 4 Double-click the “Add Printer” icon.



- 5 Select “My Computer.”
- 6 Choose [Next].
- 7 Select the appropriate port and then choose [Next].
- 8 Choose [Have Disk...], and then choose [Browse...].
- 9 Browse the CD-ROM and navigate to “\Drivers\language\WinNT4.”
- 10 Choose [Open].
- 11 Choose [OK], and then choose [Next].
- 12 Follow the instructions on the screen to complete the installation.
- 13 Check that the “MINOLTA-QMS PagePro 1200W” printer icon is displayed in the Printers dialog box.
- 14 Remove the CD-ROM from your PC’s CD-ROM drive. This completes the installation of the printer driver.

3.9 Uninstalling the printer driver and USB device driver

This section describes how to uninstall the PagePro 1200W printer driver when necessary.

**Note**

If the uninstallation program is used to remove the printer driver, the USB device driver is also removed.

**Note**

If you used Add Printer to install the printer driver, there is no uninstaller utility. To remove the printer, select it and delete it in the Printers folder.

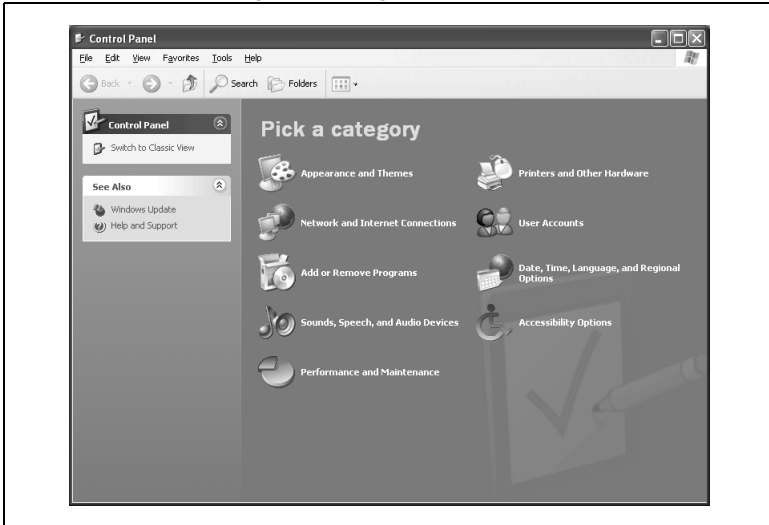
**Note**

The screen images that appear in this section show the examples of uninstallation under Windows 98. Your screen may differ slightly.

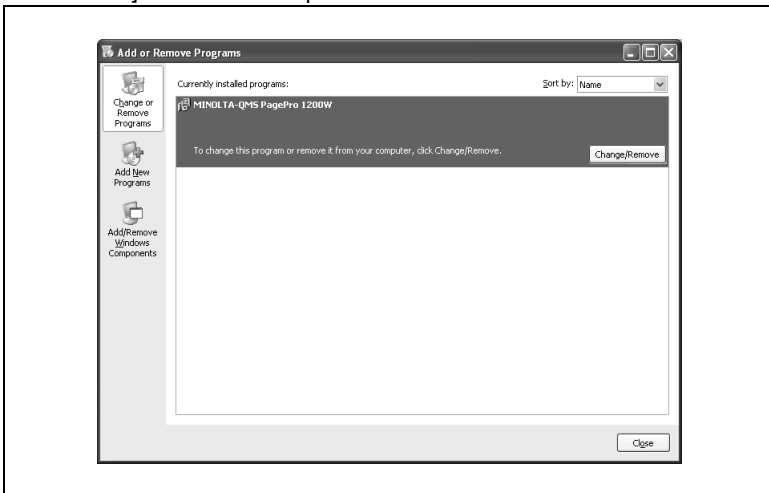
To uninstall the printer driver under Windows XP

- 1 Choose the [Start] button, and then choose "Control Panel."

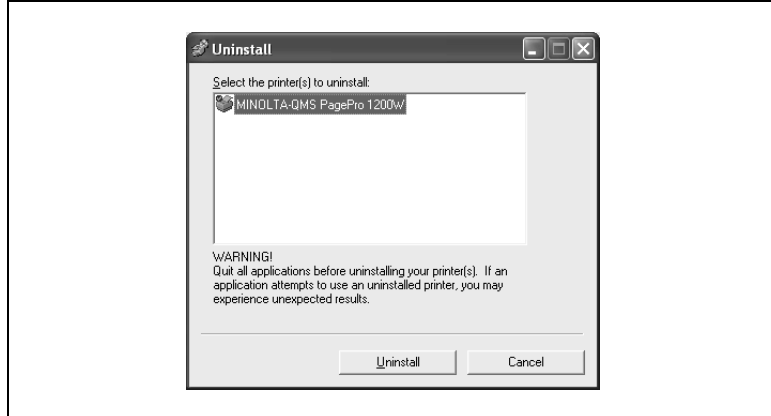
- In “Pick a category” choose “Add or remove Programs” to open the Add or Remove Programs dialog box.



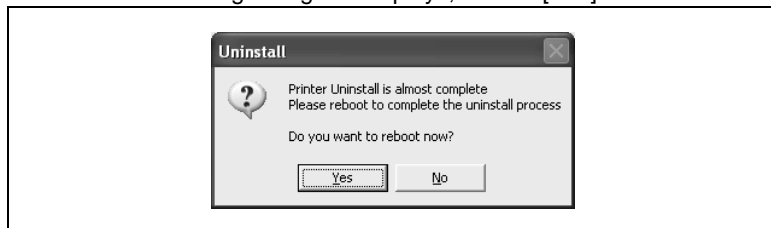
- Select “MINOLTA-QMS PagePro 1200W,” and then choose [Change/Remove] to uninstall the printer driver.



- 4 Select "MINOLTA-QMS PagePro 1200W" in the Uninstall dialog box.



- 5 Choose [Uninstall] to proceed with the uninstallation or [Cancel] to abort.
- 6 When the following dialog box displays, choose [Yes] to restart the PC.

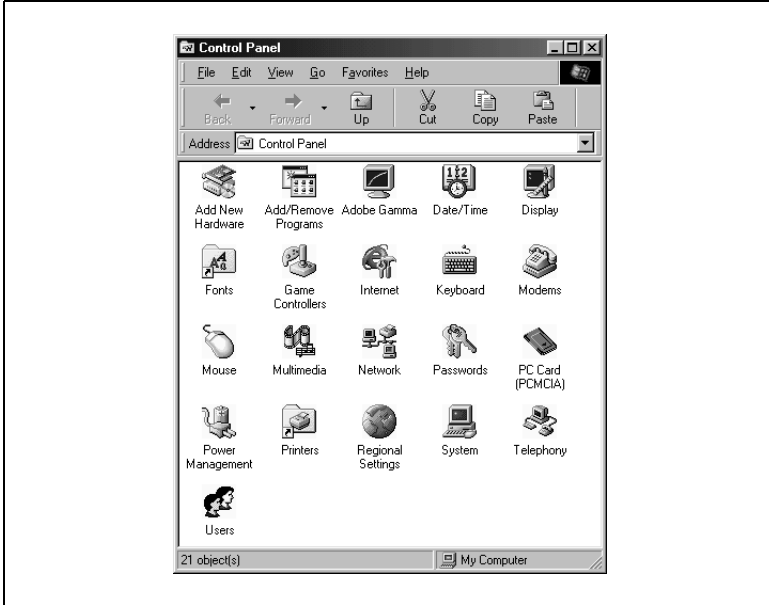
**Note**

If is recommended that you restart your computer after uninstallation.

To uninstall the printer driver under Windows Me/2000/98/95/NT 4.0

- 1 Choose the [Start] button, point to [Settings], and then choose [Control Panel].

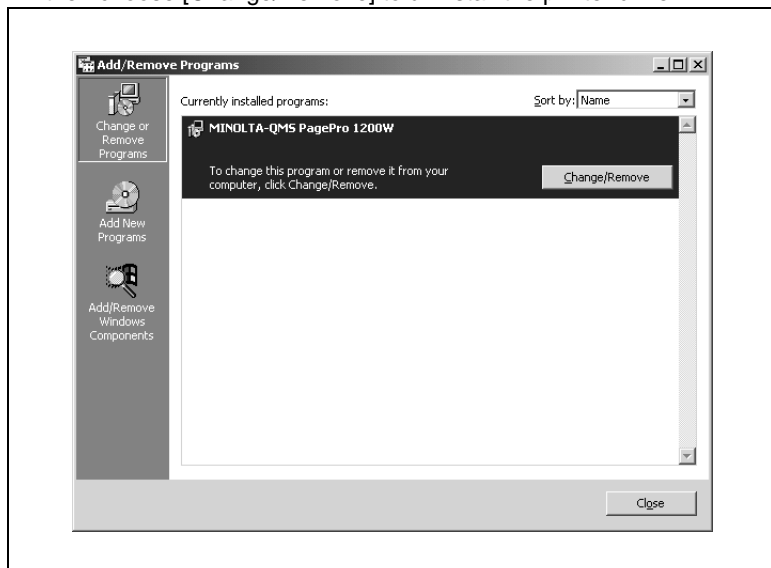
- 2 Double-click the “Add/Remove Programs” icon in the Control Panel dialog box to open the Add/Remove Programs Properties dialog box.



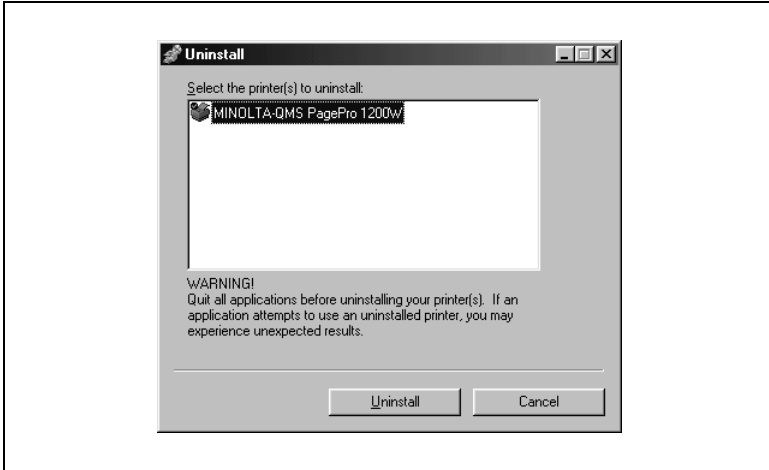
- 3 For Windows Me/98/95/NT 4.0, select “MINOLTA-QMS PagePro 1200W,” and then choose [Add/Remove] to uninstall the printer driver.



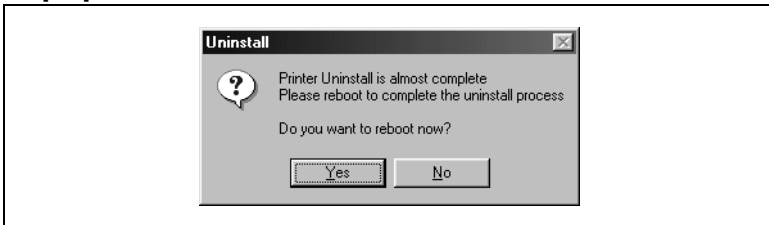
For Windows 2000, select “MINOLTA-QMS PagePro 1200W,” and then choose [Change/Remove] to uninstall the printer driver.



- 4 Select “MINOLTA-QMS PagePro 1200W” in the Uninstall dialog.



- 5 Choose [Uninstall] to proceed with the uninstallation or [Cancel] to abort.
- 6 After the PagePro 1200W printer driver has been removed, choose [OK].



- 7 Choose [Yes] to close the window.



Note

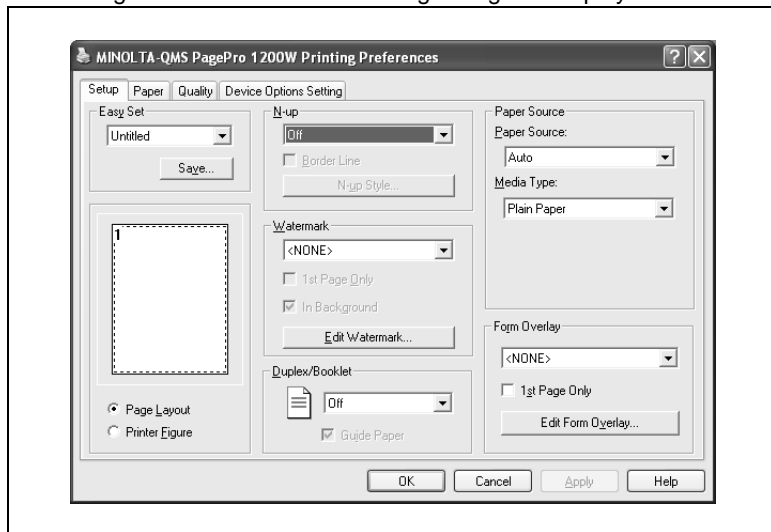
It is recommended that you restart your computer after uninstallation.

4 Working with the printer driver

4.1 Displaying printer driver settings

Displaying settings under Windows XP

- 1 From the Start menu, choose Control Panel.
- 2 In Pick a Category choose Printers and Other Hardware.
- 3 In Pick a task choose View installed printers or fax printers.
- 4 In the Printers and Faxes dialog box, select the MINOLTA-QMS PagePro 1200W printer icon.
- 5 To display the printer driver settings, from the File menu choose Printing Preferences... The following dialog box displays.

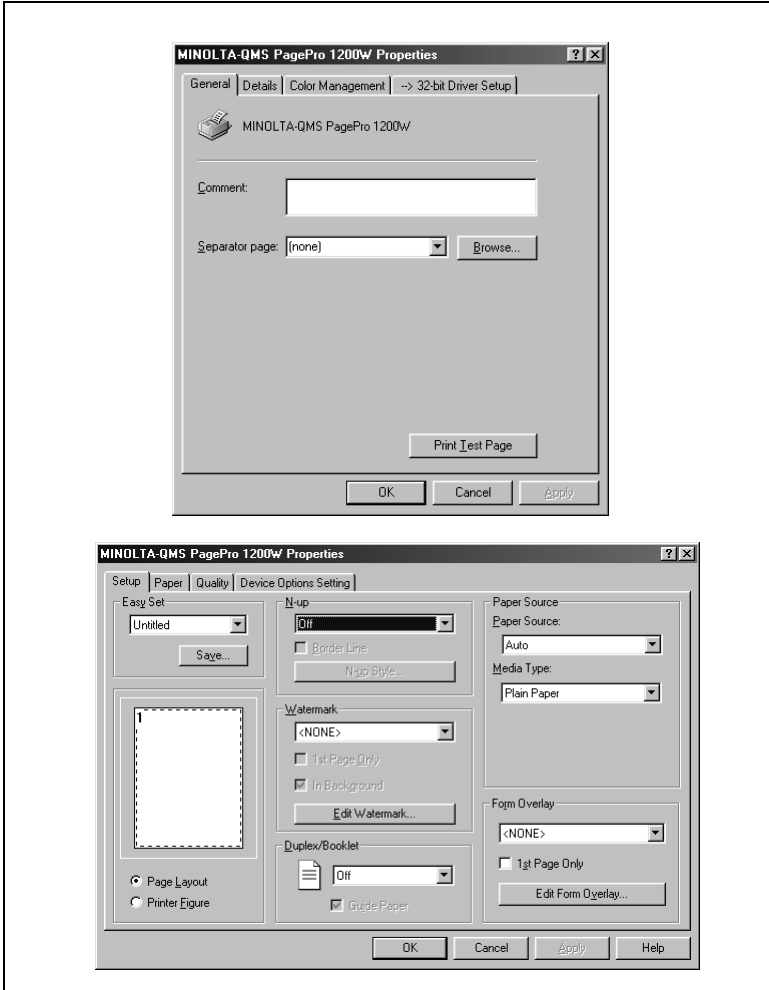


Displaying settings in Windows Me/98/95

- 1 From the Start menu, choose Settings and then Printers to display the Printers directory.
- 2 Select the MINOLTA-QMS PagePro 1200W printer icon.

3 Display the printer driver settings:

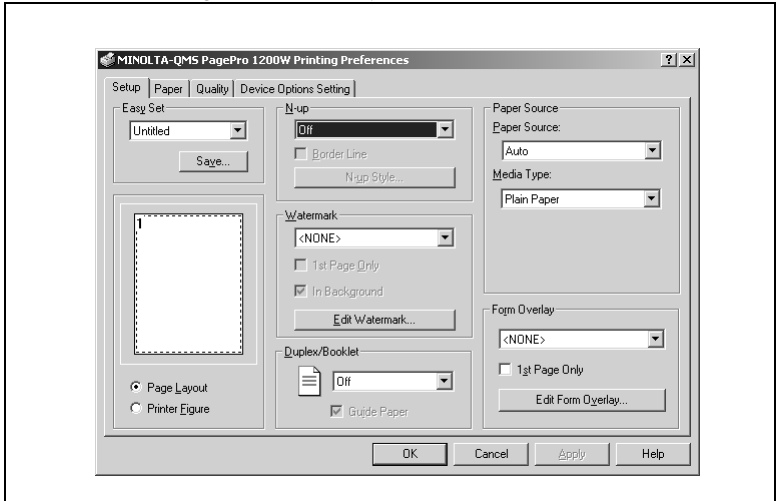
- **Windows Me/98/95**—From the File menu choose Properties, and then choose the --> 32-bit Driver Setup tab.



The operating system also uses tabs!

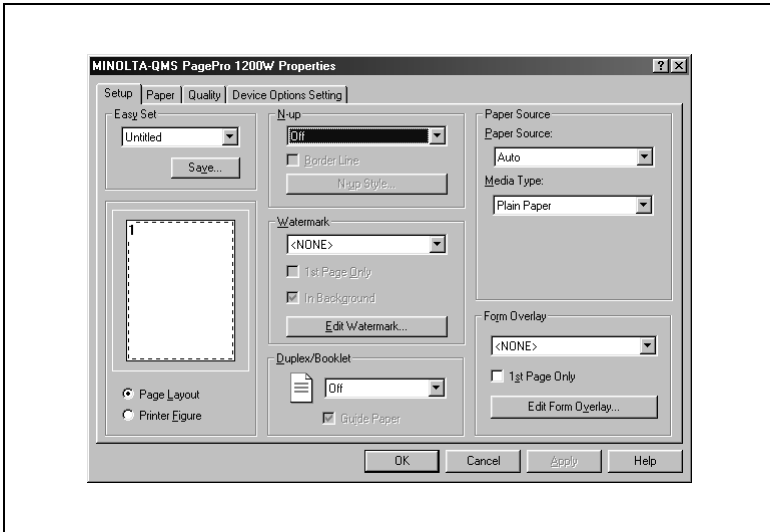
The “General” and “Details” tabs are automatically determined by the operating system and are therefore not described in this manual.

- **Windows 2000**—From the File menu choose Printing Preferences. The following window displays.



- **Windows NT 4.0**—From the File menu choose Document Defaults. A window similar to the Windows 2000 window shown above displays.

4.2 Setup tab

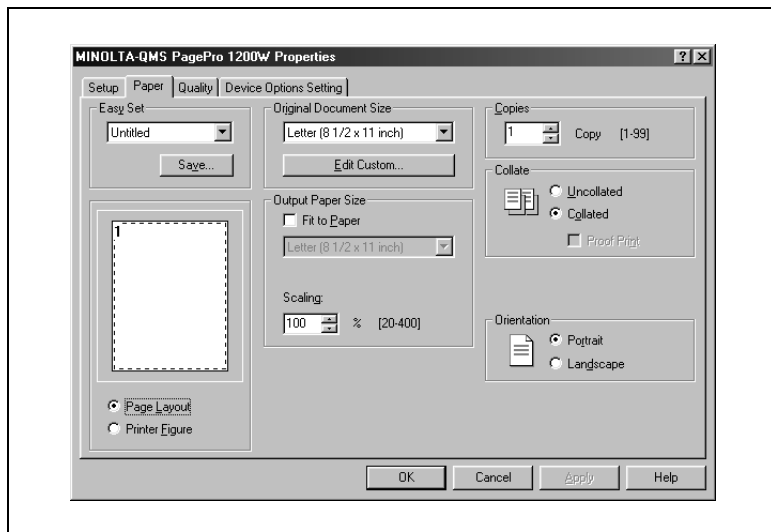


The Setup tab allows you to

- Print several pages of a document on the same page (n-up printing)
- Provide a watermark on printed documents
- Design custom watermarks
- Specify manual duplex printing
- Specify paper feed from different trays
- Define the type of paper/media
- Print using a form overlay
- Create/edit a form overlay

Refer to the printer driver's online help for information on all of these functions.

4.3 Paper tab

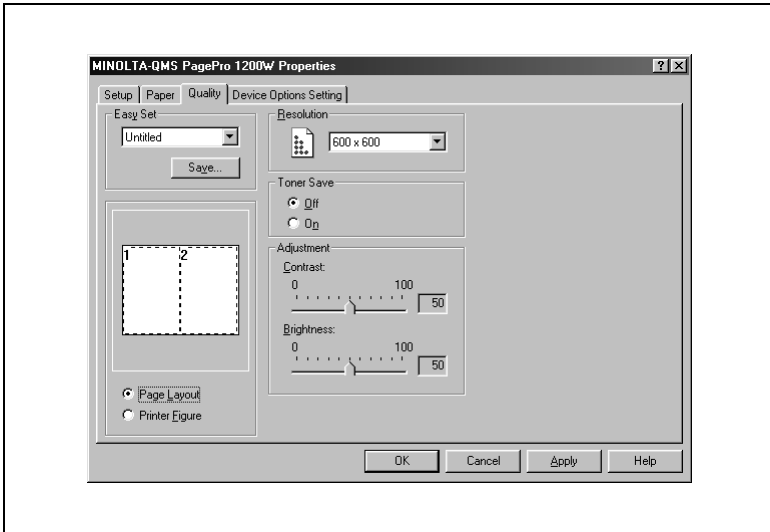


The Paper tab allows you to

- Specify the size of the original document
- Define custom media sizes
- Fit printed documents to a specified media size
- Select the output media size
- Scale (enlarge/reduce) documents
- Specify the number of copies
- Turn on/off the printer's sorting function
- Turn on/off the Proof Print function
- Specify the orientation of the media

Refer to the printer driver's online help for information on all of these functions.

4.4 Quality tab

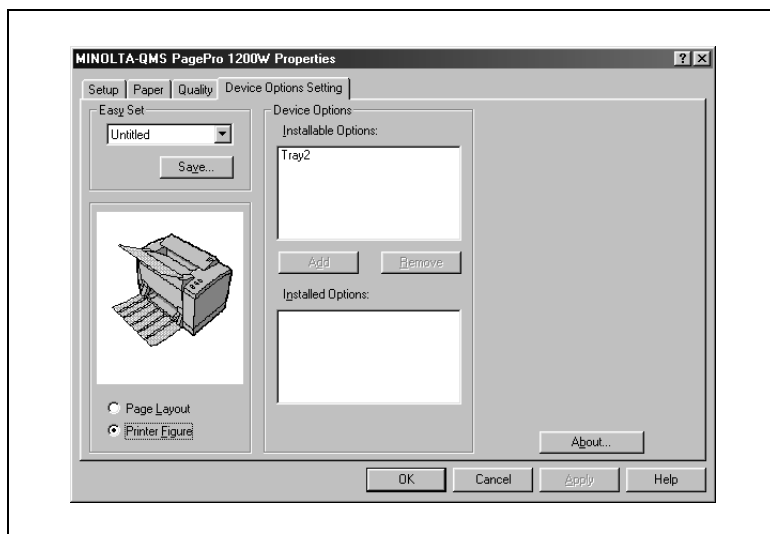


The Quality tab allows you to

- Specify the resolution
- Adjust the contrast and brightness of the printed document
- Turn on/off Toner Save mode

Refer to the printer driver's online help for information on all of these functions.

4.5 Device Options Setting tab



The Device Options Setting tab allows you to

- Activate the optional lower feeder unit (Tray 2)
- View information about the printer driver.

Refer to the printer driver's online help for information on all of these functions.

5 Working with the Status Display

If you used the CD-ROM Installer to install the printer driver, the Status Display was also installed. It was not installed, however, if you used Add Printer to install the printer driver.

5.1 Environment

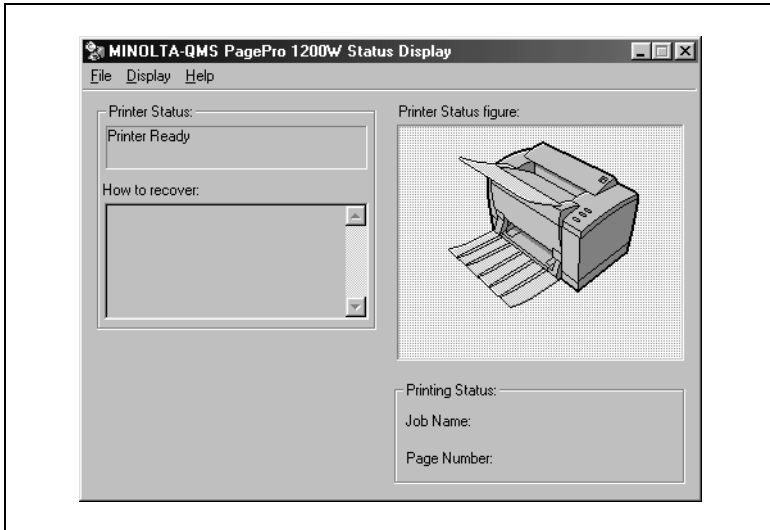
The Status Monitor and Printer Control Panel can be used with the following operating systems and interfaces.

	IEEE 1284 Parallel	USB
Windows XP	○	○
Windows Me	○	○
Windows 2000	○	○
Windows 98 SE	○	○
Windows 98	○	—
Windows 95	○	—
Windows NT 4.0	○	—

5.2 Opening the Status Display

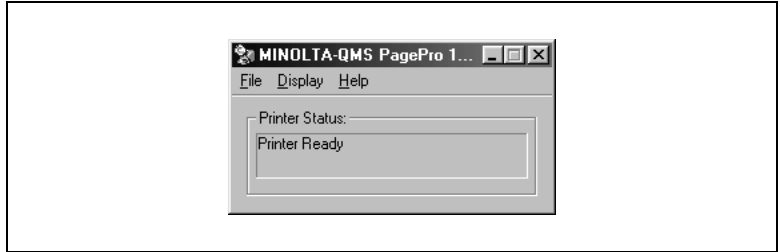
Use one of the following steps to open the Status Monitor.

- **Windows Me2000//98/95/NT 4.0**—From the Start menu, choose Programs, then MINOLTA-QMS PagePro 1200W Utilities, and then MINOLTA-QMS PagePro 1200W Status.
- **Windows XP**—Choose Start, choose All Programs, then MINOLTA-QMS PagePro 1200W Utilities, and then MINOLTA-QMS PagePro 1200W Status.

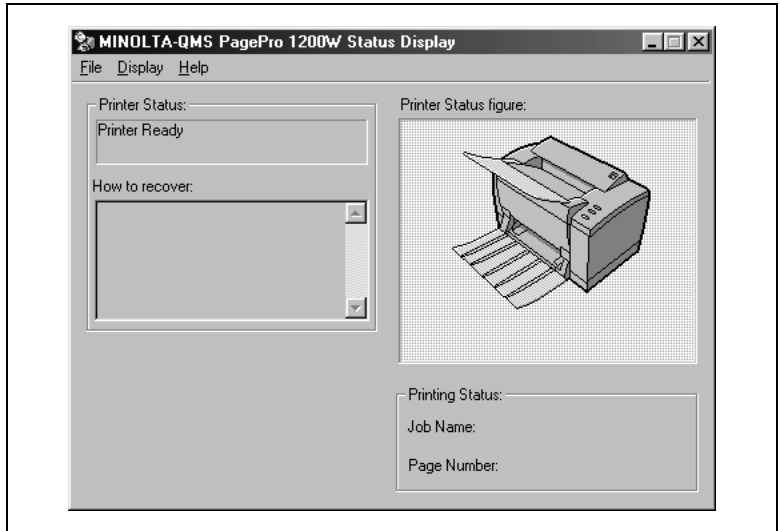


Altering the size of the Status Display window

- From the Display menu choose Status (Reduce)” to decrease the size of the window.

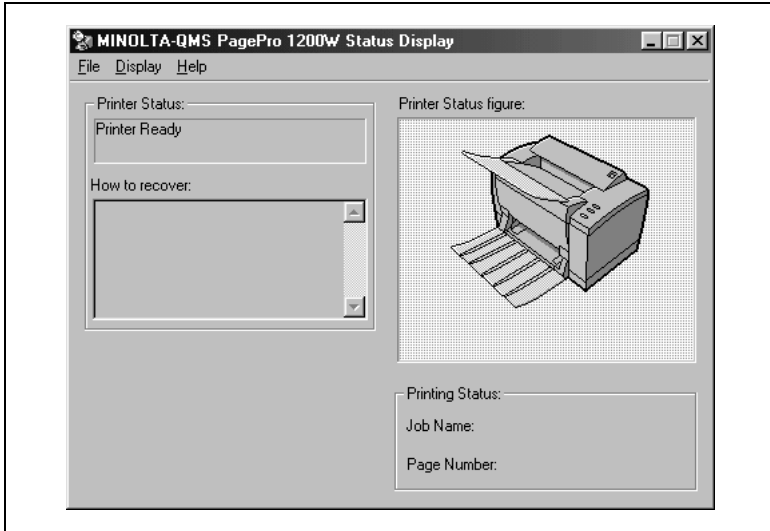


- From the Display menu choose Status (Expand) to increase the size of the window.



5.3 Using the Status Display

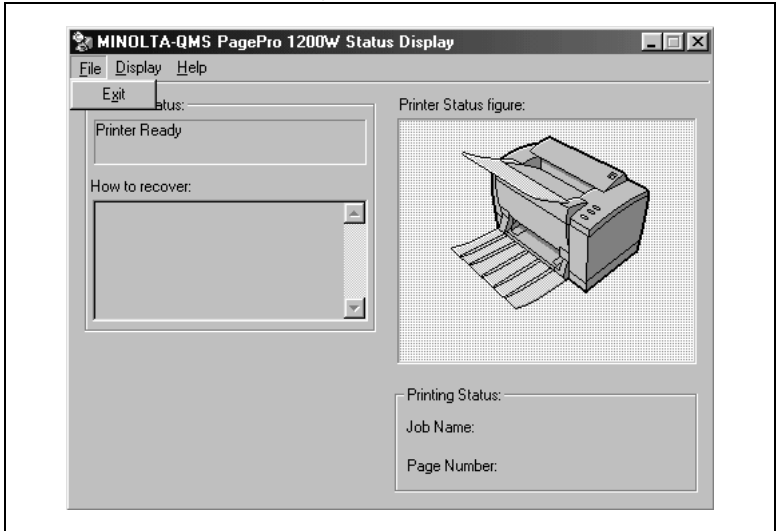
- When the background of the printer graphic is green, the printer is in Stand-by mode or a job is printing normally.
- When the background to the printer graphic is red, there is an error and the job has been interrupted. The status of the printer and the error message are shown in the dialog boxes on the left.



Refer to the Status Display's online help for information on all of its functions.

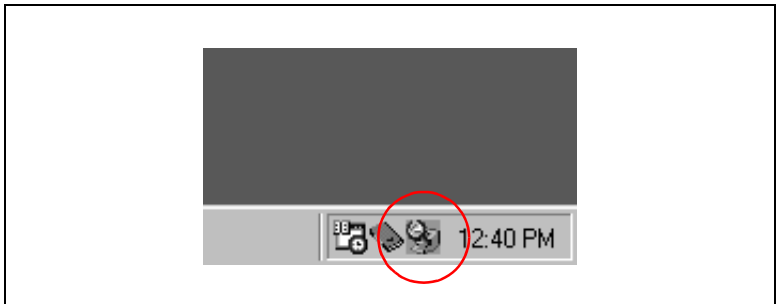
5.4 Closing the Status Display

→ To close the Status Display from the File menu choose Exit.



Note

If you choose [X] button in the upper-right corner of the Status Display window to close the window, the Status Display remains available at the bottom right end of the taskbar.



6 Working with the printer

6.1 Please note the following points:

What should I watch out for when loading paper?

To avoid paper misfeeds, observe the following points:

- Do not use any paper with the following features:
 - Paper that has already been used in a thermal or ink-jet printer.
 - Creased or wavy paper.
 - Paper with a surface that is too smooth, too rough or irregular.
 - Specially coated paper such as carbon paper or paper with an adhesive surface.
 - Paper that is not cut at right-angles.
 - Paper that is held together by glue, adhesive or clips.
 - Paper with labels that detach easily.
 - Warped or curled postcards.
- Do not allow the stack of paper in the paper tray to exceed the media limit mark.

What should I watch out for when loading envelopes?

To avoid envelope misfeeds in the laser printer, please observe the following points:

- Do not use self-adhesive envelopes or those with a tear-off strip, closures, or a window.
- Place the envelopes in the tray with the flap down and facing to the left.
- Make sure that the flaps are neatly folded back.



Test envelopes before buying large quantities!

Some types of envelopes crease easily when they are run through a printer. Test a type of envelope before purchasing large quantities.

Which sizes of paper can I use?

This printer is designed for use only with these media sizes.

Media size	Media source		
	Tray 1	Tray 2*(optional)	Manual feed tray
Standard sizes			
Letter 8.5" x 11.0"	Yes	Yes	Yes
Legal 8.5" x 14.0"	Yes	Yes	Yes
Executive 7.25" x 10.5"	Yes	Yes	Yes
Half Letter 5.5" x 8.5"	Yes	No	Yes
A4 210 x 297 mm	Yes	Yes	Yes
A5 148 x 210 mm	Yes	No	Yes
B5 JIS 182 x 257 mm	Yes	Yes	Yes
Chinese 16K 185 x 260 mm	Yes	No	Yes
Chinese 32K 130 x 185 mm	Yes	No	Yes
Envelopes, postcard and custom sizes			
Envelope Monarch 3.875" x 7.5"	Yes	No	Yes
Envelope COM10 4.125" x 9.5"	Yes	No	Yes
Envelope DL 110 x 220 mm	Yes	No	Yes
Envelope C5 162 x 229 mm	Yes	No	Yes
Envelope C6 114 x 162 mm	Yes	No	Yes
Envelope B5 176 x 250 mm	Yes	No	Yes
Choukei-3Gou 120 x 235 mm	Yes	No	Yes
Choukei-4Gou 90 x 205 mm	Yes	No	Yes
Postcard 100 x 148 mm	Yes	No	Yes
Custom 3.0"–8.5" x 5.0"–14.0" (76–216 mm x 127–356 mm)	Yes	No	Yes

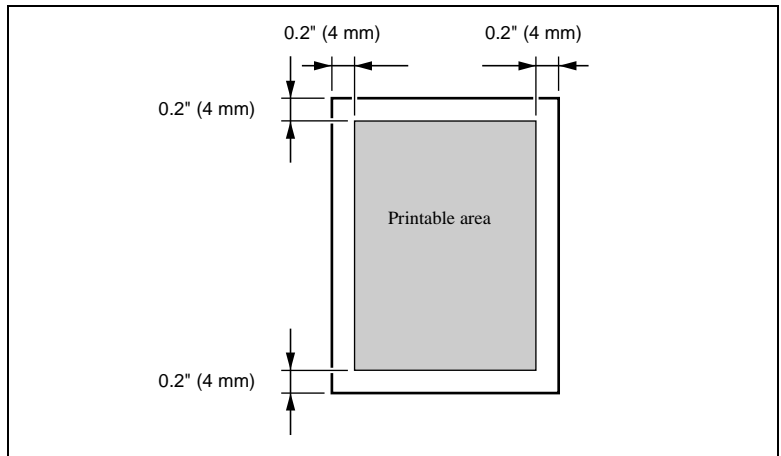
* The optional lower feeder unit (Tray 2 is shipped with either a letter or A4 tray. Legal and executive/B5 JIS trays are available as optional accessories.

What types of paper can I use?

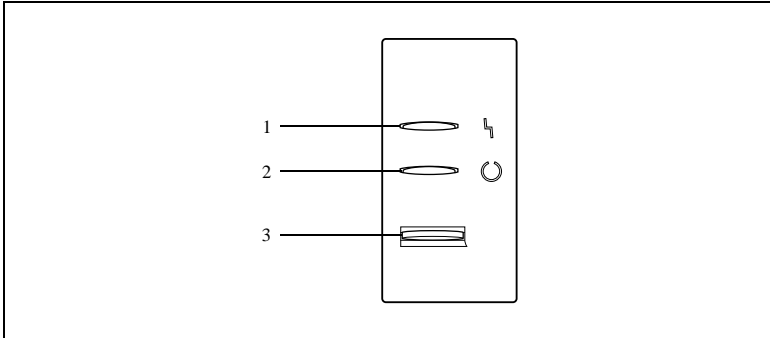
This printer is designed for use with the following media types.

Media type	Media source		
	Tray 1	Tray 2 (optional)	Manual feed tray
Plain paper 16–24 lbs (60–90 g/m ²)	Yes	Yes	Yes
Thick paper/Labels 24–43.25 lbs (90–163 g/m ²)	Yes	No	Yes
Envelopes	Yes	No	Yes
Letterhead	Yes	No	Yes
Postcard	Yes	No	Yes
Transparencies	Yes	No	Yes

Printable area



6.2 Using the panel button



The control panel has two indicators and one button.

No.	Description	No.	Description
1	Error indicator (orange)	3	Panel button
2	Ready indicator (green)		

The panel button allows you to

- Continue a print job after an error message
- Cancel a print job

Continuing a print job after an error message

You can continue the print job after correcting the following types of errors:

- ✓ When the print job is too complex and the memory capacity of the printer is inadequate
- ✓ When there is no more paper in the trays
- ✓ When paper of a different format than that set in the printer driver was fed into the printer

- 1 Check that one of the above errors has occurred.
- 2 Press the panel button to operate the media feed.

The print job continues.



Check your printed document!

If you have continued a print job after an error message, be sure to check your printed document. Not all pages may have printed.

Canceling a print job

You can cancel a print job that is currently being processed.

- 1 While data is being processed or printed (the green "Ready" indicator is blinking), hold down the panel button for more than 5 seconds.
- 2 Release the panel button after both indicators light up.
The current print job has now been cancelled.

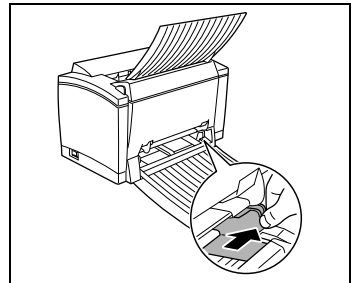
6.3 Loading media

Loading media into Tray 1

Note the following points:

- ✓ Refill the tray only when it is completely empty.
- ✓ Refer to the advice on loading media on page 6-1.

- 1 Fold Tray 1 down flat.
- 2 Squeeze the right media guide and open the media guides.



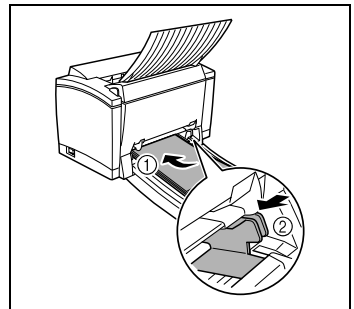
- 3 Place the media in the tray.

? *How many sheets may I place on the tray?*

- Tray 1 has a capacity of 150 sheets of plain paper. The stack of paper should not rise above the media limit mark.

? *How is letterhead fed in?* 

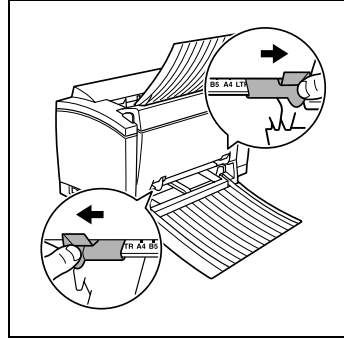
- Load letterhead with the side to be printed facing up and the preprinted letterhead at the top (facing the printer).



- 4 Squeeze the right media guide and adjust the media guides so that both the left and right sides of the media are secure.

Loading media in the manual feed tray

- 1 Open the media guides.
- 2 Insert the piece of media as far as possible into the manual feed tray (with the side to be printed facing up).



? *How many pieces of media can be fed at one time?*

- Insert only one sheet of paper or type of media at a time.

? *How are envelopes fed in?* 

- Place the envelope in the tray with the side to be printed facing up. The flap of the envelope should be facing down and to the left.

? *How is letterhead fed in?* 

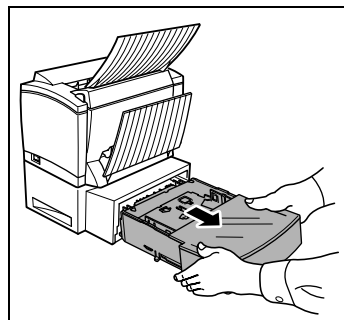
- Load letterhead with the side to be printed facing up and the pre-printed letterhead at the top (facing the printer).

Loading media in the lower feeder unit (Tray 2)

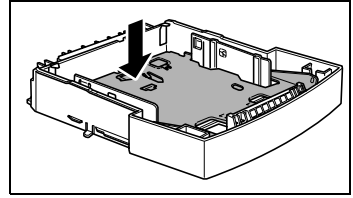
Note the following points:

- ✓ The optional lower feeder unit (Tray 2) is shipped with either a letter or A4 tray. Legal and executive/B5 JIS trays are also available as optional accessories.
- ✓ Refill the tray only when it is completely empty.
- ✓ Paper must be loaded short edge first.
- ✓ Refer to the advice on loading media on page 6-1.

- 1 Remove Tray 2 from the lower feed unit by pulling it out as far as it will go, gently raising up the front, and sliding it the rest of the way out.



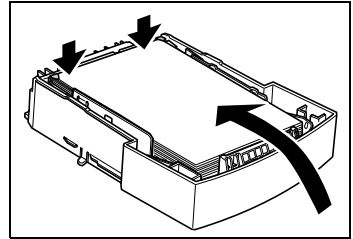
- 2 Remove the cover from the tray.
- 3 Press down on the paper lifting plate until it locks into place.



- 4 Place a stack of paper into the tray. Make sure that the paper fits under under the triangular clips.

? *How many sheets of paper may I place in the tray?*

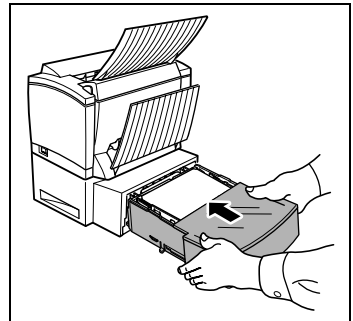
- Tray 2 has a capacity of 500 sheets of plain paper. The stack of paper should not rise above the media limit mark.



? *How is letterhead fed in?*

- Load letterhead with the side to be printed facing up and the preprinted letterhead at the top (facing the printer).

- 5 Replace the tray cover and insert the tray into the lower feeder unit.



6.4 Determining the direction printed sheets

Printed sheets can be output in two ways:

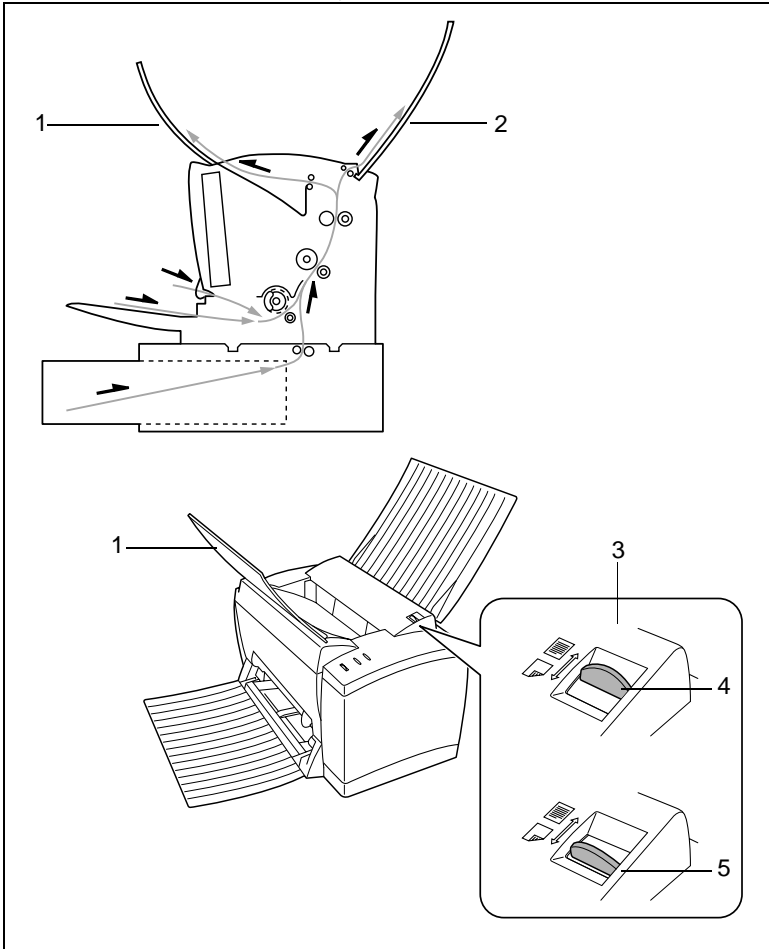
- Face down
- Face up

The printer is fitted with a tray for face-down output. A tray for face-up output is available as an option. This tray is especially suitable for thick paper and envelopes because the path through the printer is straighter.

The face-down output tray can hold up to 100 sheets while the optional face-up output tray holds 20 sheets.

Note the following points:

- ✓ Do not change the output direction while a print job is in progress.
- ✓ Make sure that the output selector switch is in the correct position when the optional output tray is not installed.



No.	Description	No.	Description
1	Face-down output tray	4	Output switch location for face-up output
2	Face-up output tray	5	Output switch location for face-down output
3	Output switch		

7 Installing printer options

The following options are available for your printer:

- Lower feeder unit (Tray 2, 500-sheet capacity)
- Legal and executive/B5 JIS trays for the lower feeder unit
- Face-up tray

7.1 Installing the lower feeder unit (Tray 2)

The lower feeder unit can hold up to 500 sheets of plain paper. It is supplied with either a letter (US) or A4 (Europe) tray (Tray 2).

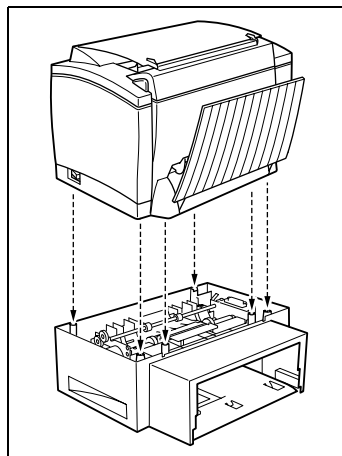
- 1 Remove the lower feeder unit from its carton, and then remove the plastic bag and all packing materials.

Make sure that you remove all of the packing materials inside the unit.

- 2 Turn the printer off, and then disconnect the power cord and interface cable from the printer.

- 3 Place the printer onto the lower feeder unit.

- Make sure to align the holes on the bottom of the printer with the coupling pins on the lower feeder unit.

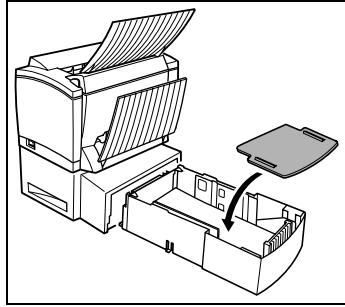


- 4 Fill the tray with paper. (For details see chapter 6.)

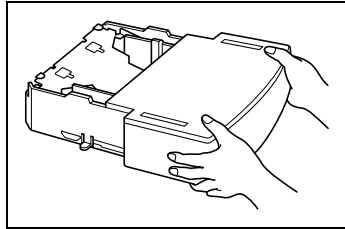
? *How many sheets of paper may I place in the tray?*

- Tray 2 has a capacity of 500 sheets of plain paper. The stack of paper should not rise above the media limit mark.

- 5 Replace the tray cover.
- 6 Insert the tray into the lower feeder unit.



- Be sure to use both hands whenever you are inserting the tray into or removing it from the lower feeder unit.



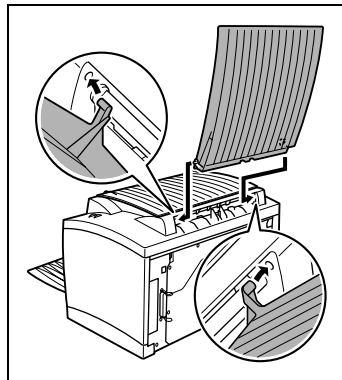
- 7 Reconnect the power cord and interface cable, and turn on the printer.

7.2 Installing the face-up tray

The printer is fitted with a tray for face-down output. A tray for face-up output is available as an option. This tray is especially useful for thick paper, envelopes, labels, and transparencies because the path through the printer is straighter. The face-up tray can hold up to 20 sheets.

Before installing the face-up tray:

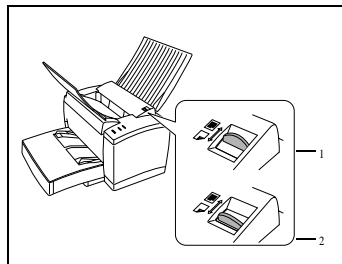
- 1 Remove the face-up output tray from its carton.
- 2 Attach the face-up output tray by inserting the pins into the holes on the printer, one side at a time. Do not force both sides in at the same time.
 - The face-up tray must be bent slightly to insert it.



Face-up or face-down output?

You can set the output direction with the output switch. (For details see chapter 6.)

No.	Description
1	Output switch location for face-up output
2	Output switch location for face-down output



8 Maintaining the printer



CAUTION

You could damage the unit by using incorrect accessories and parts!

If you use accessories and parts from manufacturers other than MINOLTA-QMS, we cannot guarantee that the laser printer will operate properly.

- Use only MINOLTA-QMS accessories and parts unless specified otherwise.
-



WARNING

Toner poses a health hazard!

Toner is harmful if swallowed.

- If you swallow toner, consult a doctor immediately.
 - If you get toner on your hands, wash them immediately with cold water and soap.
-

8.1 Replacing the toner cartridge

Replace the toner cartridge when it is empty or when the printed documents are too light.

Two toner cartridges are available:

- The regular toner cartridge has a capacity of about 3000 letter/A4 pages at about 5% toner coverage.
- The high-capacity toner cartridge has a capacity of about 6000 letter/A4 pages at about 5% toner coverage.



Note:

The toner cartridge that comes with the printer has a capacity of about 1500 letter/A4 pages at about 5% toner coverage.

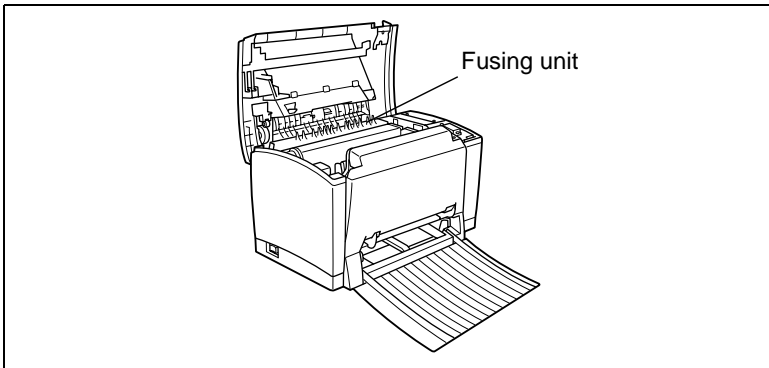


WARNING

The fusing unit can become very hot!

The fusing unit, which is located beneath the top cover, can become very hot when the printer is in operation.

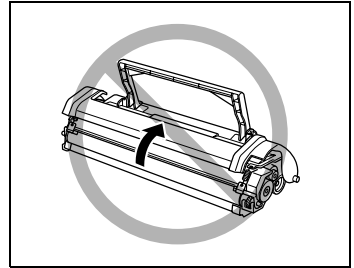
→ To prevent injuries, avoid contact with this area.



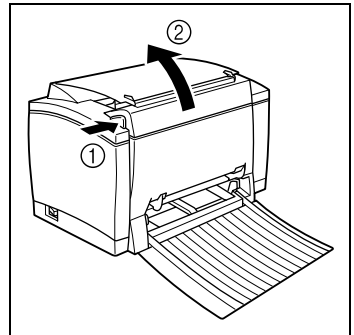


What precautions should I take when handling the toner cartridge?

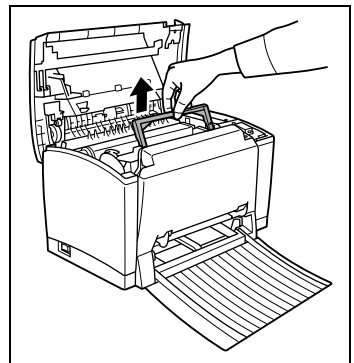
Never touch the developing roller under the flap; otherwise, print quality may decline.



- 1 Turn off the printer and disconnect the power cord from the printer.
- 2 Close the face-down tray.
- 3 Press the top cover release button and open the top cover.

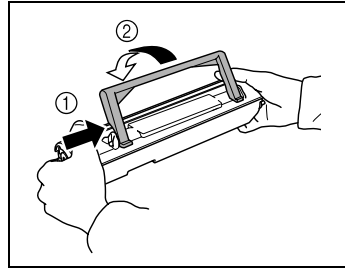


- 4 Remove the old toner cartridge.



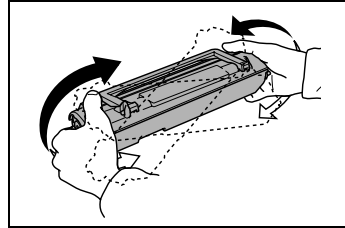
- 5 Press in the marked positions of the handle to fold down the handle.

- Dispose of the used toner cartridge properly.

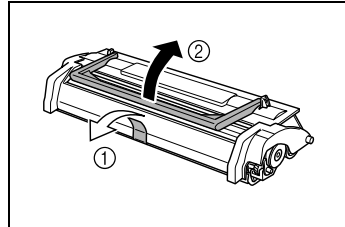


- 6 Remove the new toner cartridge from its package.

- 7 Holding it firmly with both hands, rock the toner cartridge left and right, forward and backward, to distribute the toner evenly.

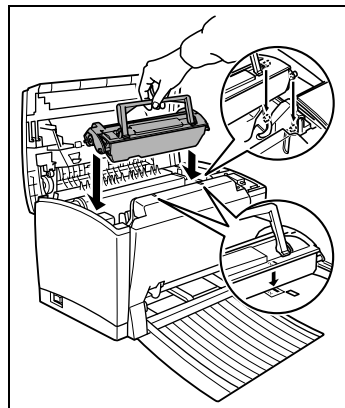


- 8 Completely remove the protective seal from the toner cartridge, and then raise up the handle.

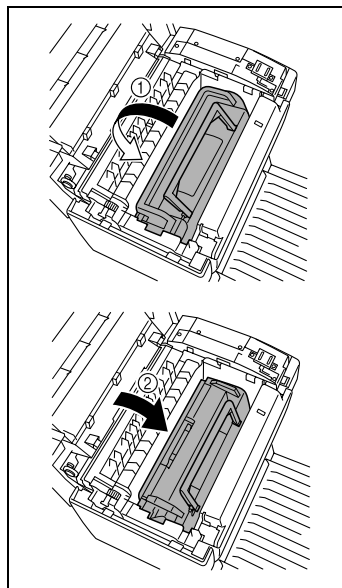


- 9 Holding the handle, lower the toner cartridge into the printer, aligning the four pins (two on each side) fit into the grooves inside the printer.

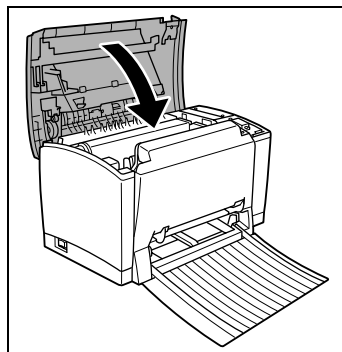
- Color coordinated "2" labels have been affixed to the toner cartridge and to the inside of the printer. Install the toner cartridge by aligning these labels.



- The toner cartridge clicks into place when it is completely installed.



- 10** Close the top cover and press it down gently but firmly until it locks into place.



Resetting the counter for the toner cartridge

After you have replaced the toner cartridge, reset the counter for the toner cartridge.

- 1** Turn off the printer.
- 2** While holding down the panel button, turn on the printer.
The green “Ready” indicator begins to blink.
- 3** Continue holding down the panel button, and the green “Ready” indicator starts to blink.

- 4 After the green “Ready” indicator has blinked for about 5 seconds, release the panel button.

Both indicators begin to blink.

- 5 After confirming that both indicators are blinking, press and hold down the panel button again for at least 5 seconds.

Both indicators light up for about 5 seconds, and then both indicators begin to blink again.

The counter for the toner cartridge has now been reset.

- 6 Turn the printer off and then on again.

Once the green “Ready” indicator remains on, the printer is again in Stand-by mode.

8.2 Replacing the drum cartridge

Change the drum cartridge when the printed documents become faint or blurred.

The drum cartridge has a capacity of about 16,000 (one-page jobs) to 20,000 (continuous printing) letter/A4 pages (at an average of 5% or less coverage).

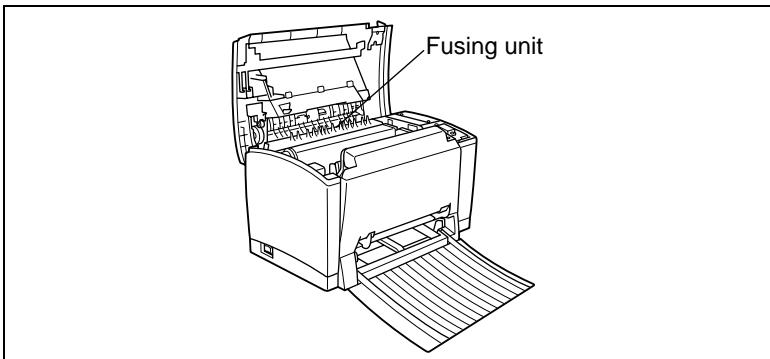


WARNING

The fusing unit can become very hot!

The fusing unit, which is located beneath the top cover, can become very hot when the printer is in operation.

→ To prevent injuries, avoid contact with this area.

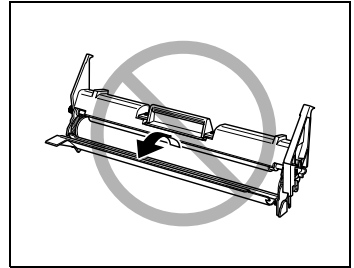




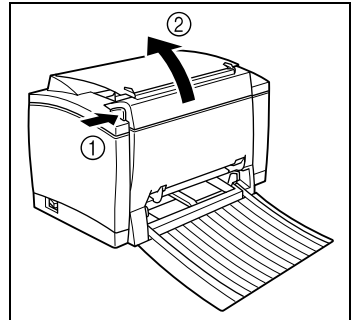
...

What precautions should I take when handling the drum cartridge?

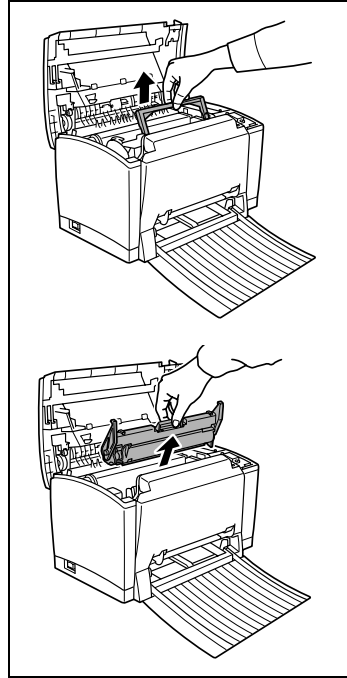
Never touch the drum under the flap; otherwise, print quality may decline.



- 1 Turn off the printer and disconnect the power cord from the printer.
- 2 Close the face-down tray.
- 3 Press the top cover release button and open the top cover.



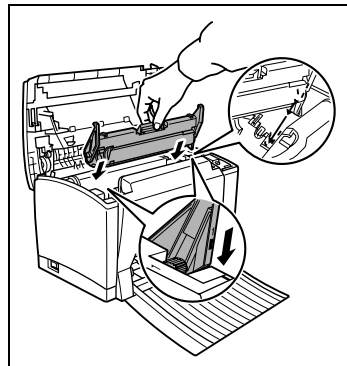
- 4 Remove the toner cartridge and the old drum cartridge.



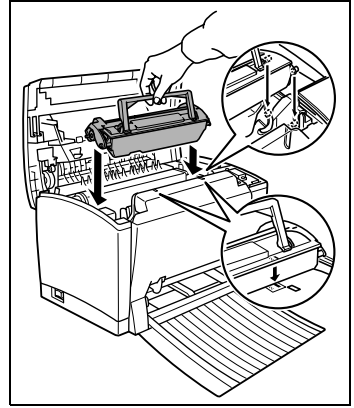
- 5 Remove the new drum cartridge from its carton.

- 6 Install the drum cartridge in the printer, aligning the guides of the cartridge with the grooves inside the printer.

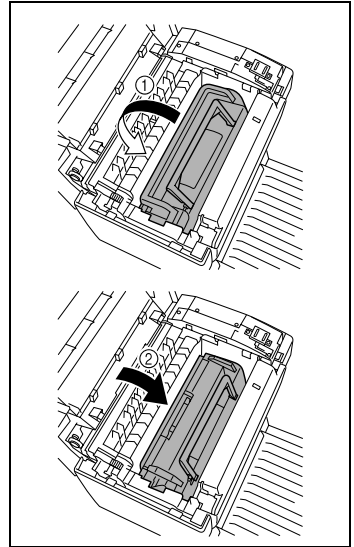
- Color coordinated “1” labels have been affixed to the drum cartridge and to the inside of the printer. Install the drum cartridge by aligning these labels.



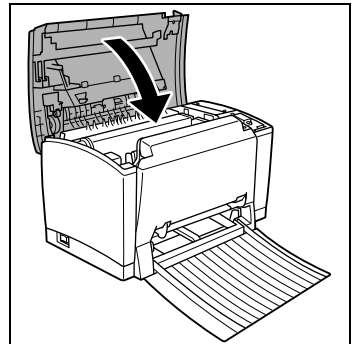
- 7 Place the toner cartridge back into the printer, aligning the four pins (two on each side) with the grooves inside the printer.
- Color coordinated “2” labels have been affixed to the toner cartridge and to the inside of the printer. Install the toner cartridge by aligning these labels.



- The cartridge will click into place when it is completely installed.



- 8 Close the top cover and press it down gently but firmly until it locks into place.



Resetting the counter for the drum cartridge

After you have replaced the drum cartridge, reset the drum cartridge counter.

- 1 Turn off the printer.
- 2 While holding down the panel button, turn on the printer.
The green “Ready” indicator begins to blink.
- 3 Continue holding down the panel button, and the green “Ready” indicator starts to blink.
- 4 After the green “Ready” indicator has blinked for about 5 seconds, release the panel button.
Both indicators begin to blink.
- 5 After confirming that both indicators are blinking, briefly press the panel button.
Both indicators light up for about 5 seconds, and then both indicators begin to blink.
The counter for the drum cartridge has now been reset.
- 6 Turn the printer off and then on again.
Once the green “Ready” indicator remains on, the printer is again in Stand-by mode.

8.3 Cleaning the printer

Clean the printer at regular intervals to prevent dust, dirt, and paper residue from accumulating in and on the printer.

Cleaning the outside of the printer

- 1 Turn off the printer and disconnect the power cord from the printer.
- 2 Wipe the outside of the printer with a soft cloth. You may moisten the cloth with a little neutral household cleaner if you wish.

Cleaning the paper feed roller

Clean the paper feed roller if paper feed problems occur frequently.

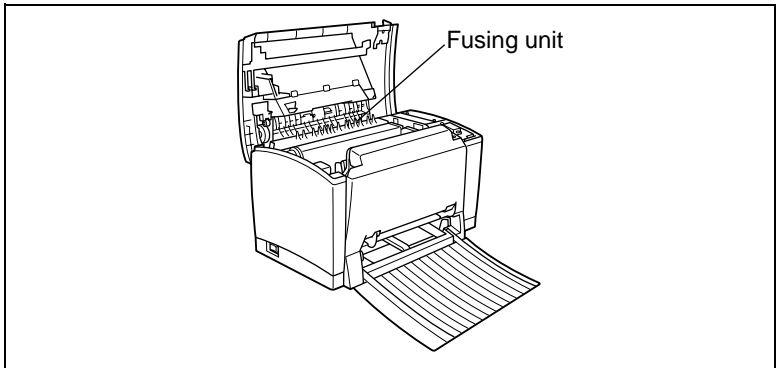


WARNING

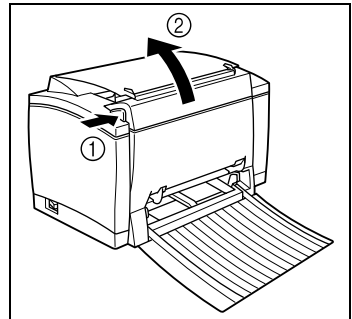
The fusing unit can become very hot!

The fusing unit, which is located beneath the top cover, can become very hot when the printer is in operation.

- To prevent injuries, avoid contact with this area.
- After turning off the printer, wait at least 10 minutes before cleaning the inside of the printer.

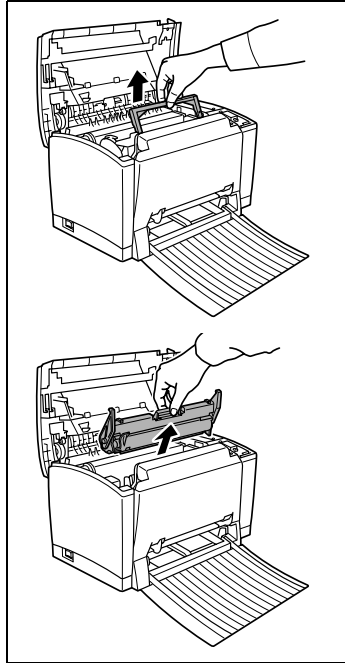


- 1 Turn off the printer and disconnect the power cord from the printer.
- 2 Close the face-down tray.
- 3 Press the top cover release button and open the top cover.

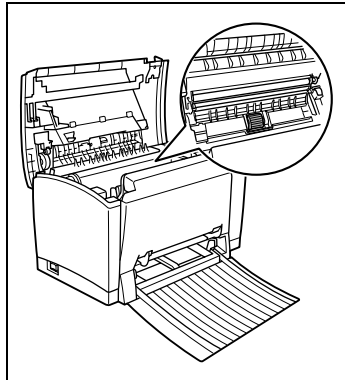


- 4 Remove the toner cartridge and the drum cartridge.

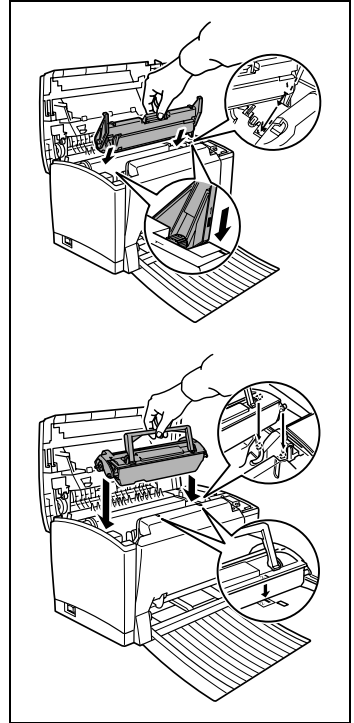
Wrap the drum cartridge with a cloth to protect it from exposure to light.



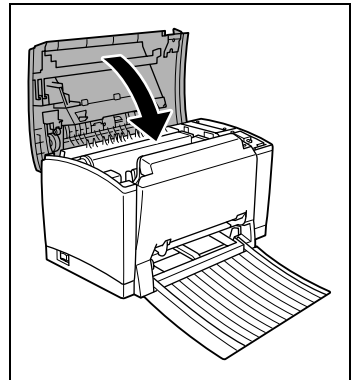
- 5 Wipe the paper feed roller with a soft, dry cloth.



- 6 Reinstall the drum cartridge and the toner cartridge.



- 7 Close the top cover and press it down gently but firmly until it locks into place.



9 Troubleshooting



Note

Some computers connected with the parallel cable may not be able to communicate correctly with the printer.

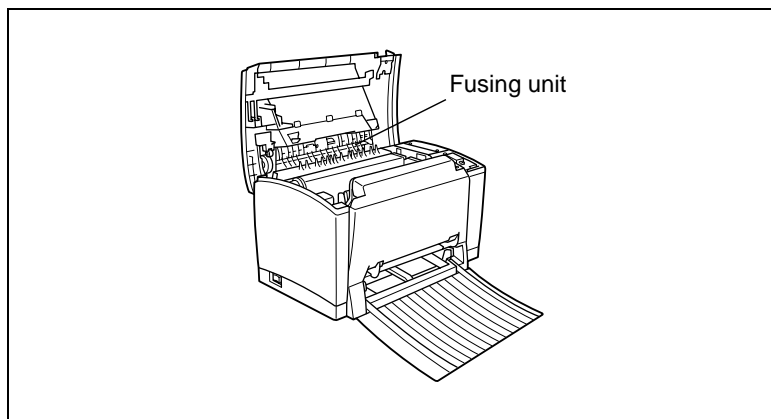


CAUTION

The fusing unit can become very hot!

The fusing unit, which is located beneath the top cover, can become very hot when the printer is in operation.

→ To prevent injuries, avoid contact with this area.

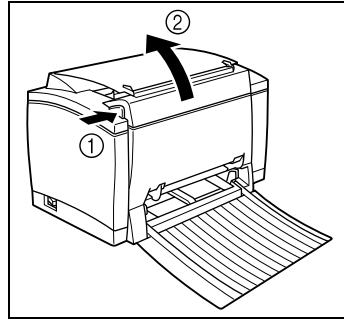


9.1 Clearing media jams

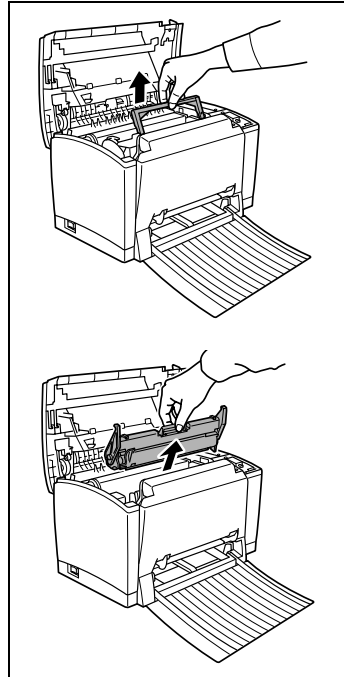
Clearing a paper misfeed inside of the printer

- 1 Turn off the printer.
- 2 Close the face-down tray.

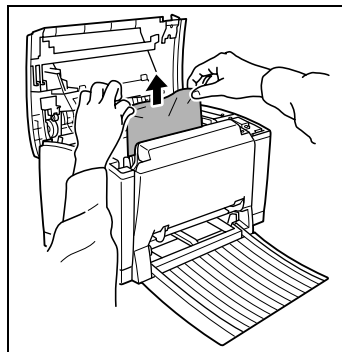
- 3 Press the top cover release button, and then open the top cover.




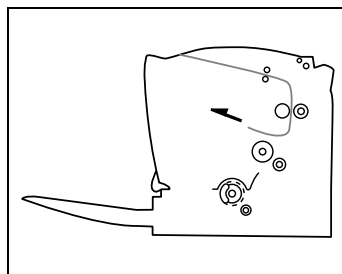
- 4 Remove the toner cartridge and the drum cartridge.



- 5 Carefully pull the misfed media out of the printer.



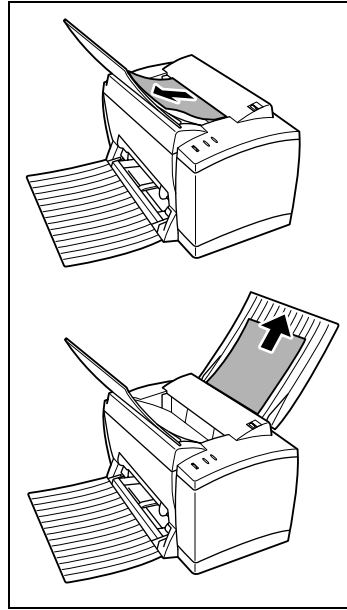
-  If paper is misfed at the fusing unit, grasp the bottom of the paper with both hands and gently pull it out.



- 6 Reinstall the drum cartridge.
- 7 Reinstall the toner cartridge.
- 8 Close the top cover, and then open the face-down tray.
 - Printing automatically restarts from the page that was misfed.

Clearing a media jam in the output tray

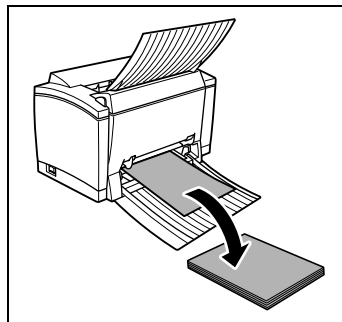
- 1 Carefully pull the misfed media out of the tray.



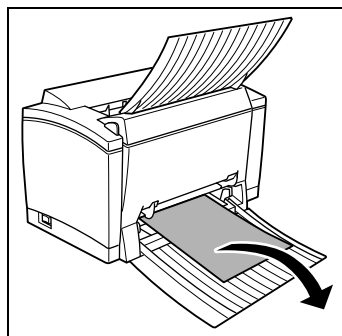
- 2 Open the top cover and close it again in order to reset the printer.

Clearing a media jam at Tray 1 

- 1 Remove the tray cover and any media in Tray 1.



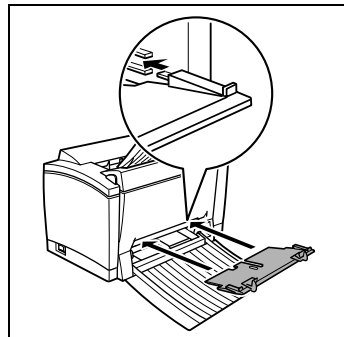
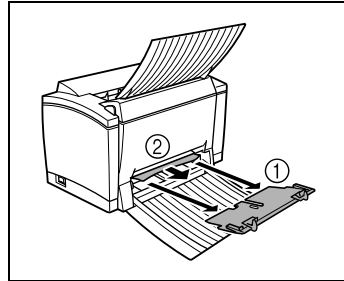
- 2 Carefully pull the misfed media out of Tray 1.



- 3 Reload the media in Tray 1, and replace the tray cover.
 - Do not reload curled or wrinkled media.
- 4 Reinstall Tray 1 in the printer.
- 5 Close the face-down tray, and then open the top cover.
- 6 Remove any pieces of media that may have torn off or are remaining in the printer.
- 7 Close the top cover, and then open the face-down tray.
- 8 Open the top cover and close it again in order to reset the printer.
 - Printing automatically restarts from the page that was misfed.

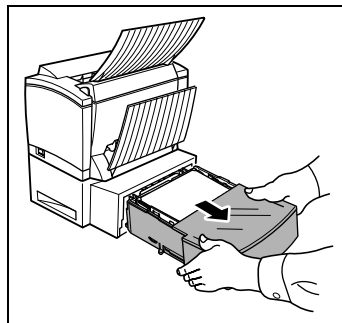
Clearing a media jam in the manual feed tray

- 1 Remove the Tray 1 cover and the plate at the inlet of the manual feed tray.
- 2 Remove the misfed media.
- 3 Reinstall the plate at the inlet of the manual feed tray and the Tray 1 cover.

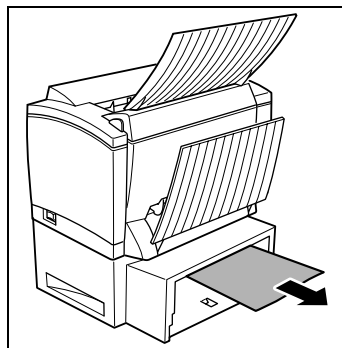


Clearing a media jam in the lower feeder unit (Tray 2)

- 1 Slide the tray out of the lower feeder unit.



- 2 Remove any folded or misfed media from the inside of the lower feeder unit.

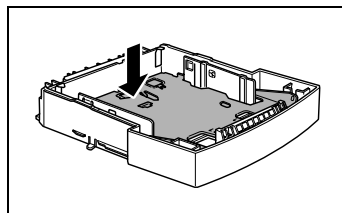


- 3 Remove the tray cover and any media in the tray.

- 4 Carefully pull the misfed media out of the tray.

- 5 Reload the media in the tray.

- Make sure the paper is evenly aligned and that the top sheet is below the maximum paper mark.
- Do not reload curled or wrinkled media.



- 6 Replace the tray cover and insert the tray into the lower feeder unit.

- 7 Open the printer's top cover and close it again in order to reset the printer.

- Printing automatically restarts from the page that was misfed.

9.2 General printing problems

Problem	Possible cause	Action
No output	The printer is not connected to the power supply, or the cable is not connected to the printer.	Check the power connection and the interface connection to the printer.
	The printer is not turned on.	Turn on the printer.
	You are using the wrong type of interface cable.	Check whether the interface cable type conforms to the specifications (see chapter 10).
	The computers communication port settings are not correct for your printer.	Check the computer's communication port settings. Refer to the documentation that comes with your computer and check if its current communication port settings are correct.
	The parallel port on your computer is also being used for other equipment (for example, a scanner, ZIP drive).	Disconnect the other equipment and operate the printer via this port.



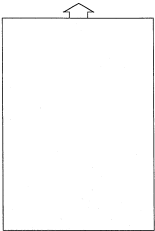
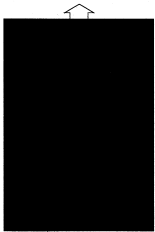
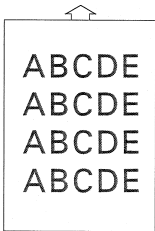
For further information and assistance...

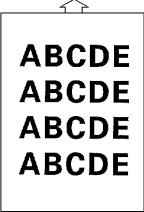
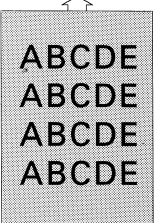
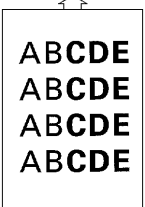
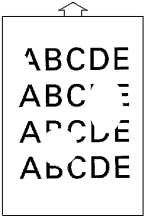
can be found in the Internet at www.minolta-qms.com/support

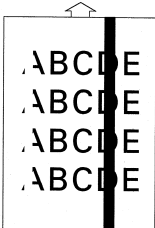
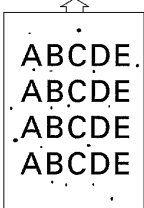
9.3 Print quality problems

If you are having problems with print quality, follow these steps:

- Remove the toner cartridge and gently shake it back and forth to distribute the remaining toner evenly.
- Remove the toner cartridge and check for damage. If necessary, replace with a new cartridge. See page 8-2.
- Remove the drum cartridge and check for damage. If necessary, replace with a new cartridge. See page 8-6.
- Clean the inside of the printer. See page 8-10.
- Deactivate the Toner Save feature in the print menu and try another sample printout. See page 4-6.

Problem	Possible cause	Action
<p>Blank pages</p> 	<p>The toner cartridge is empty or damaged.</p>	<p>Remove the toner cartridge and check for damage. If necessary, replace the toner cartridge. (See page 8-2.)</p>
<p>Black pages</p> 	<p>The toner cartridge is damaged.</p>	<p>Remove the toner cartridge and check for damage. If necessary, replace the toner cartridge. (See page 8-2.)</p>
<p>Pages are too light</p> 	<p>The Toner Save mode has been activated.</p>	<p>Check the setting in the printer driver. Change the setting and try printing again. (See chapter 4.)</p>
	<p>The toner density is not set correctly in the printer driver.</p>	<p>Set the toner density to the desired level and try printing again. (See chapter 8.)</p>
	<p>The toner cartridge may be running out of toner.</p>	<p>Remove the toner cartridge and rock it in order to improve the distribution of the remaining toner. If the problem persists, replace the toner cartridge. (See chapter 8.)</p>
	<p>The toner cartridge is damaged.</p>	<p>Remove the toner cartridge and check it for damage. If necessary, replace the toner cartridge. (See chapter 8.)</p>

Problem	Possible cause	Action
<p data-bbox="197 165 364 188">Pages are too dark</p> 	<p data-bbox="393 165 654 188">The toner cartridge is damaged.</p>	<p data-bbox="679 165 944 252">Remove the toner cartridge and check it for damage. If necessary, replace the toner cartridge. (See chapter 8.)</p>
	<p data-bbox="393 266 631 312">The toner density is not set correctly in the printer driver.</p>	<p data-bbox="679 266 930 312">Set the toner density to the desired level. (See chapter 4.)</p>
<p data-bbox="197 469 364 507">Blurred background on the printout</p> 	<p data-bbox="393 469 654 491">The toner cartridge is damaged.</p>	<p data-bbox="679 469 944 555">Remove the toner cartridge and check for damage. If necessary, replace the toner cartridge. (See page 8-2.)</p>
<p data-bbox="197 788 375 810">Uneven toner density</p> 	<p data-bbox="393 788 654 810">The toner cartridge is damaged.</p>	<p data-bbox="679 788 944 874">Remove the toner cartridge and check for damage. If necessary, replace the toner cartridge. (See page 8-2.)</p>
	<p data-bbox="393 888 654 911">The drum cartridge is damaged.</p>	<p data-bbox="679 888 944 975">Remove the drum cartridge and check for damage. If necessary, replace the drum cartridge. (See page 8-6.)</p>
	<p data-bbox="393 989 620 1059">The toner may be unevenly distributed inside the toner cartridge.</p>	<p data-bbox="679 989 944 1123">Remove the toner cartridge and gently rock in order to improve the distribution of the remaining toner. If the problem persists, replace the toner cartridge. (See page 8-2.)</p>
<p data-bbox="197 1139 337 1177">Blank spots, text missing</p> 	<p data-bbox="393 1139 642 1209">The paper is moist because of high humidity in the air or from being splashed with water.</p>	<p data-bbox="679 1139 944 1209">Replace the paper you are using with dry paper and try printing again.</p>

Problem	Possible cause	Action
	The toner cartridge is damaged (white lines).	Remove the toner cartridge and check for damage. If necessary, replace the toner cartridge. (See page 8-2.)
	The drum cartridge is damaged (black lines).	Remove the drum cartridge and check for damage. If necessary, replace the drum cartridge. (See page 8-6.)
<p>Toner smudges</p> 	The toner cartridge is damaged.	Remove the toner cartridge and check for damage. If necessary, replace the toner cartridge. (See page 8-2.)
	The toner may be unevenly distributed inside the toner cartridge.	Remove the toner cartridge and gently rock in order to improve the distribution of the remaining toner. If the problem persists, replace the toner cartridge. (See page 8-2.)
	The paper feed roller is dirty.	Clean the paper feed roller. (See page 8-11.)

9.4 Printer messages

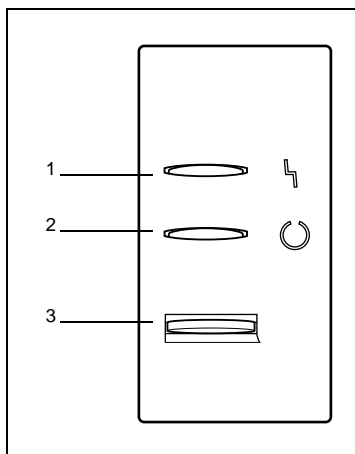
Indicator functions

The control panel has two indicators and one button. The control panel indicators provide information on the status of the printer.

No.	Description
1	Error indicator (orange)
2	Ready indicator (green)
3	Panel button

The indicators have five types of signals:

- Off
- On
- Slow blinking—1 blink every 2 seconds
- Blinking—1 blink per second
- Rapid blinking—2 blinks per second



Status message

Status messages indicate the current condition of the printer.

Ready indicator (green)	Error indicator (orange)	Condition	Action
Off	Off	Off	None
On	Off	Ready to print	None
Rapid blinking	Off	Warming up	None
Blinking	Off	Receiving data	None
		Processing data	
		Printing	
On	On	Initializing	None
		Cancelling a print job	
		Resetting a counter	
Slow blinking	Off	Power save mode	None
Rapid blinking	Rapid blinking	Reset mode	None

Error messages

These messages indicate errors which you must correct before a print job can continue or the printer status returned to “Ready.”

Ready indicator (green)	Error indicator (orange)	Condition	Action
Blinking	Blinking	Memory overflow or print job is too complex. If the “Auto Continue” function has been activated in the printer tools, the sheet already fed in is automatically ejected after a predetermined time. (See chapter 6.)	Reduce the size of the print job.
Rapid blinking alternately		No media in the tray specified in the printer driver.	Load media into the appropriate tray.
		Media size error	Load the appropriate size media into the tray.
Off	Slow blinking	Tray empty	Load media into the appropriate tray.
Off	Blinking	Media jam	Clear the jam and then continue with the print job.
Off	On	Top cover is open	Close the top cover

Service message

This message indicates a more serious fault that can only be corrected by a customer service engineer. If this message is signalled, turn the printer off, then on again. If the problem persists, contact your vendor or authorized service provider.

Ready indicator (green)	Error indicator (orange)	Condition	Action
Off	Rapid blinking	Fatal error	Turn the printer off, then on again. If the problem persists, contact vendor or authorized service provider.

10 Appendix

10.1 Safety specifications

Printer	
Safety standards	U.S. model: UL 60950, CSA C22.2 No. 60950 European model: EU Directive 73/23/EEC EU Directive 93/68/EEC EN 60950 (IEC 60950) China model: GB 4943
EMC standards	U.S. model: FCC part 15 subpart B class B ICES-003 European model: EU Directive 89/336/EEC EN 55022 (CISPR Pub. 22) class B EN 61000-3-2 EN 61000-3-3 China model: GB 9254 class B Australian model: AS/NZS 3548 class B

10.2 Technical specifications



To check on the availability of third-party options, such as an Ethernet network adapter...

go to www.minolta-qms.com/products

Printer

Type	Desktop laser beam printer
Print system	Electrostatic dry powder imaging system
Exposure system	Laser diode + polygon mirror scanning
Developing system	Electrophotographic printing system
Resolution	1200 dpi × 1200 dpi (at half speed), 600 dpi × 600 dpi
Print speed	12 pages per minute (Letter/A4)
First print	600 dpi: Within 15 seconds (Letter/A4) 1200 dpi: Within 24 seconds (Letter/A4)
Warm-up time	21 seconds or less at startup; 7 seconds from Power Save mode
Media sizes	<ul style="list-style-type: none"> Paper—Letter, Legal, Executive, Half Letter, A4, A5, B5 JIS, Chinese 16K, Chinese 32K, custom paper sizes Envelopes—Commercial 10, Monarch, DL, C5, C6, B5, Choukei-3Gou and Choukei-4Gou Postcard

Paper/Media	<ul style="list-style-type: none"> • Plain paper (16 to 24 lbs.; 60 to 90 g/m²) • Transparencies • Envelopes • Thick paper (24 to 43 lbs.; 90 to 163 g/m²) • Postcard
Paper feeding	<ul style="list-style-type: none"> • Tray 1 (Universal tray) • Manual feed tray • Lower feeder unit (Tray 2) (Option)
Input capacity	<ul style="list-style-type: none"> • Tray 1 (Universal tray): 150 sheets • Manual feed tray: 1 sheet • Lower feeder unit (Option): 500 sheets
Output capacity	<ul style="list-style-type: none"> • Face-down tray: 100 sheets • Face-up tray (Option): 20 sheets
Operating temperature	50° to 95°F (10° to 35°C) (with fluctuation of 18°F (10°C) per hour)
Operating humidity	15 to 85 % (with fluctuation of 20% per hour)
Drum cartridge	20,000 Letter/A4 size prints with a black-to-white ratio of 5% or more.
Toner cartridge	6,000 (type 1) or 3,000 (type 2) Letter/A4-size prints with a black-to-white ratio of 5% or more. The enclosed cartridge is for 1,500 prints.
Power supply	110-127V, 50-60Hz 220-240V, 50-60Hz
Power consumption	120V: 840W or less 220-240V: 850W or less
Amperage	120V: 7.2A or less 220-240V: 3.8A or less
Acoustic Noise	Printing: 49 dB or less (62 dB or less by Blue Angel Mark) Standby: 30 dB or less
External dimensions (with Tray 1 and the face-down tray closed)	Height: 9.9 in. (252 mm) Width: 15.3 in. (389 mm) Depth: 10.0 in. (253 mm)
Weight	Printer: approximately 3.2 lbs. (7 kg) Drum cartridge: approximately 0.1 lbs. (0.3 kg) Toner cartridge: approximately 0.2 lbs. (0.5 kg)
Interface	IEEE 1284 compliant type B (Compatible/Nibble/ECP) USB Revision 1.1 compliant
CPU	Naltec N1 chip
Standard memory	8 MB
Options	<ul style="list-style-type: none"> • Lower feeder unit (Tray 2) • Legal and executive/B5 JIS trays for the lower feeder unit • Face-up tray

Lower feeder unit (option)

Paper tray	Standard tray: Letter or A4 Optional trays: Legal and executive/B5 JIS
Paper/Media	Plain paper (16–24 lbs; 60–90 g/m ²)
Capacity	Up to 500 sheets
External dimensions (without paper cassette)	Height: 5.2" (132 mm) Width: 15.0" (382 mm) Depth: 12.0" (305 mm)
Weight	Approximately 1.8 lbs (4 kg)

Parallel interface connectors and cable

Connectors	Printer: Parallel 36-pin connector Computer: EIA 25-pin connector
Cable type	Shielded Each signal and earth pair should be twisted
Pin assignments	IEEE 1284 compliant type B connector

USB interface connectors and cable

Connectors	Printer: Series B plug Computer: Series A plug
Cable type	Require twisted data conductors or a shielded
Pin assignments	1: V _{BUS} 2: D+ 3: D- 4: GND Shell: Shield

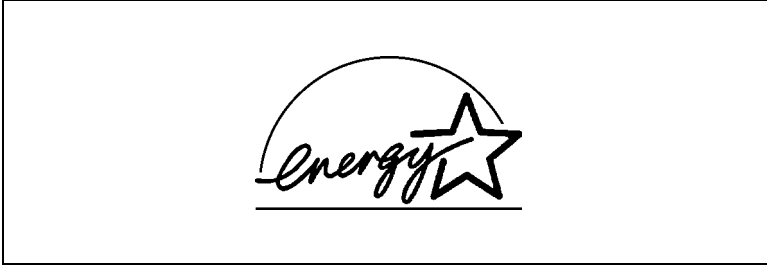


CAUTION

Danger of fire from cable!

- MINOLTA-QMS undertakes no guarantee for any specific cable. The user is responsible for the quality and performance of the cable.

10.3 Our concern for environmental protection



As an ENERGY STAR Partner, we have determined that this machine meets the ENERGY STAR Guidelines for energy efficiency.

What is an ENERGY STAR product?

An ENERGY STAR product has a special feature that allows it to automatically switch to a “low-power mode” after a period of inactivity. An ENERGY STAR product uses energy more efficiently, saves you money on utility bills and helps protect the environment.

10.4 CE Marking (Declaration of Conformity)

For European users

This product complies with the following EU directives: 89/336/EEC, 73/23/EEC, and 93/68/EEC directives.

This declaration is valid for the area of the European Union (EU) only.

This device must be used with a shielded parallel interface cable and shielded USB interface cable. The use of non-shielded cables is likely to result in interference with radio communications and is prohibited under 89/336/EEC rules.

10.5 CISPR 22 and local rules

This device must be used with a shielded parallel interface cable and shielded USB interface cable.

The use of non-shielded cables is likely to result in interference with radio communications and is prohibited under CISPR 22 and local rules.

10.6 Acoustic Noise

Machine Noise Regulation 3 GSGV, 18.01.1991: The sound pressure level at the operator position according to EN27779 is equal to or less than 70dB (A).

10.7 Safety Information



This section contains detailed instructions on the operation and maintenance of this machine. To achieve optimum utility of this device, all operators should carefully read and follow the instructions in this manual. Please keep this manual in a handy place near the machine.

Please read the next section before using this device. It contains important information related to user safety and preventing equipment problems.

Make sure you observe all of the precautions listed in this manual.

* Note that some parts of the contents of this section may not correspond with the purchased product.

Warning and precaution symbols

 WARNING	Ignoring this warning could cause serious injury or even death.
 CAUTION	Ignoring this caution could cause injury or damage to property.

Meaning of symbols



A triangle indicates a danger against which you should take precaution.



This symbol warns against cause burn.



A diagonal line indicates a prohibited course of action.



This symbol warns against dismantling the device.












A black circle indicates an imperative course of action.



This symbol indicates you must unplug the device.

⚠ WARNING

	<ul style="list-style-type: none"> • Do not modify this product, as a fire, electrical shock, or breakdown could result. If the product employs a laser, the laser beam source could cause blindness. • Do not attempt to remove the covers and panels which have been fixed to the product. Some products have a high-voltage part or a laser beam source inside that could cause an electrical shock or blindness.
	<ul style="list-style-type: none"> • Only use the power cord supplied in the package. Failure to use this cord could result in a fire or electrical shock. • Use only the specified power source voltage. Failure to do that could result in a fire or electrical shock. • Do not use a multiple outlet adapter to connect any other appliances or machines. Use of a power outlet for more than the marked current value could result in a fire or electrical shock.
	<ul style="list-style-type: none"> • Do not unplug and plug in the power cord with a wet hand, as an electrical shock could result.
	<ul style="list-style-type: none"> • Plug the power cord all the way into the power outlet. Failure to do this could result in a fire or electrical shock.
	<ul style="list-style-type: none"> • Do not scratch, abrade, place a heavy object on, heat, twist, bend, pull on, or damage the power cord. Use of a damaged power cord (exposed core wire, broken wire, etc.) could result in a fire or breakdown. Should any of these conditions be found, immediately turn OFF the power switch, unplug the power cord from the power outlet, and then call your authorized service representative. • In principle, do not use an extension cord. Use of an extension cord could cause a fire or electrical shock. Contact your authorized service representative if an extension cord is required.
	<ul style="list-style-type: none"> • Do not place a flower vase or other container that contains water, or metal clips or other small metallic objects on this product. Spilled water or metallic objects dropped inside the product could result in a fire, electrical shock, or break-down. • Should a piece of metal, water, or any other similar foreign matter get inside the product, immediately turn OFF the power switch, unplug the power cord from the power outlet, and then call your authorized service representative.
	<ul style="list-style-type: none"> • If this product becomes inordinately hot or emits smoke, or unusual odor or noise, immediately turn OFF the power switch, unplug the power cord from the power outlet, and then call your authorized service representative. If you keep on using it as is, a fire or electrical shock could result. • If this product has been dropped or its cover damaged, immediately turn OFF the power switch, unplug the power cord from the power outlet, and then call your authorized service representative. If you keep on using it as is, a fire or electrical shock could result.
	<ul style="list-style-type: none"> • Do not throw the toner cartridge or toner into an open flame. The hot toner may scatter and cause burns or other damage.
	<ul style="list-style-type: none"> • Connect the power cord to an electrical outlet that is equipped with a grounding terminal.

⚠ CAUTION

- Do not use flammable sprays, liquids, or gases near this product, as a fire could result.
- Do not leave a toner unit or drum unit in a place within easy reach of children. Licking or ingesting any of these things could injure your health.
- Do not let any object plug the ventilation holes of this product. Heat could accumulate inside the product, resulting in a fire or malfunction.
- Do not install this product at a site that is exposed to direct sunlight, or near an air conditioner or heating apparatus. The resultant temperature changes inside the product could cause a malfunction, fire, or electrical shock.
- Do not place the product in a dusty place, or a site exposed to soot or steam, near a kitchen table, bath, or a humidifier. A fire, electrical shock, or breakdown could result.
- Do not place this product on an unstable or tilted bench, or in a location subject to a lot of vibration and shock. It could drop or fall, causing personal injury or mechanical breakdown.
- After installing this product, mount it on a secure base. If the unit moves or falls, it may cause personal injury.
- Do not store toner units and PC drum units near a floppy disk or watch that are susceptible to magnetism. They could cause these products to malfunction.
- Do not place any objects around the power plug as the power plug may be difficult to pull out when an emergency occurs.
- Do not touch the electrical contacts that are located inside the top cover and underneath the cartridge as an electrostatic discharge may damage the printer.



- The inside of this product has areas subject to high temperature, which may cause burns. When checking the inside of the unit for malfunctions such as a paper misfeed, do not touch the locations (around the fusing unit, etc.) which are indicated by a "Caution! High Temperature!" warning label.



- The socket-outlet shall be installed near the machine and shall be easily accessible as the power plug may be difficult to pull out when an emergency occurs.
- Always use this product in a well ventilated location. Operating the product in a poorly ventilated room for an extended period of time could injure your health. Ventilate the room at regular intervals.
- Whenever moving this product, be sure to disconnect the power cord and other cables. Failure to do this could damage the cord or cable, resulting in a fire, electrical shock, or breakdown.
- When moving this product, always hold it by the locations specified in the user manual or other documents. If the unit falls it may cause severe personal injury. The product may also be damaged or malfunction.
- Remove the power plug from the outlet more than one time a year and clean the area between the plug terminals. Dust that accumulates between the plug terminals may cause a fire.
- When unplugging the power cord, be sure to hold onto the plug. Pulling on the power cord could damage the cord, resulting in a fire or electrical shock.

10.8 Working safely with your laser printer

Notes on your safety and operating safety

Working improperly with the printer can result in health hazards, electric shocks and even fires. Before you unpack the laser printer, you should make yourself familiar with this information on your safety and operating safety.



CAUTION

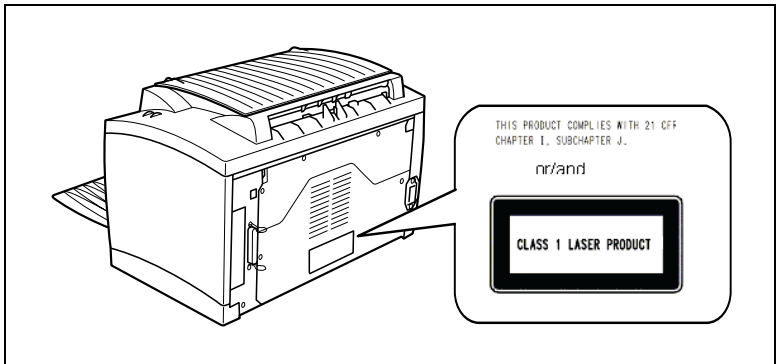
Observe the following information:

- Make sure that the power cord is correctly plugged into the socket and that the socket is at all times visible and readily accessible.
- Do not pull on the cord to pull the power plug out of the socket as this may damage the cord. The result could be an electric shock or a fire.
- Remove the power plug from the socket if the machine will not be in use for an extended period of time.
- Do not remove the power cord from the socket with wet hands as this may result in an electric shock.
- Do not move the unit unless the power cord has been removed from the socket. Otherwise you may damage the cord. The result could be a short-circuit or a fire.
- Do not place any heavy objects on the power cord. Do not pull or kink the cord as this can result in damage to the cord. The result could be an electric shock or a fire.
- Make sure that the machine is not standing on a cord to another machine as this can result in damage to that cord. The result could be a fire or improper functioning of the unit in question.
- Make sure that the power supply to the unit has the correct voltage. Otherwise the result could be a fire or an electric shock.
- Switch off the unit immediately and unplug the power cord if the power supply cord is damaged. Failure to do so could result in a fire or an electric shock. Inform your customer support technical specialist.
- Use only extension cords that are designed for at least the maximum power rating of the machine. Extension cords with lower ratings can result in the unit overheating and can even lead to a fire.
- Perform only the procedures that are described in this manual. Using the machine improperly can result in a fire or an electric shock.

- Do not place any heavy objects on the machine.
 - Do not open any covers on the machine while printing is in progress.
 - Do not switch off the unit while printing is in progress.
 - Do not place any magnetic objects near the machine.
 - Do not use any flammable sprays, liquids or gases in the vicinity of the machine.
 - Do not remove any safety devices and do not alter the construction of the machine. The unit is equipped with high-voltage components. Using the machine improperly can result in a fire or an electric shock.
 - Do not insert any paper clips, staples or other small metal objects into openings on the machine. The result could be an electric shock or a fire. If metal pieces are fed into the machine, switch it off immediately, disconnect the power cord and inform your customer support technical specialist.
 - Do not place coffee cups, drink bottles, or other containers with liquids in them on the machine. If liquid enters the machine, the result could be an electric shock or a fire. If liquid does get into the machine, switch it off immediately, disconnect the power cord and inform your customer support technical specialist.
 - If the machine becomes unusually hot, or if you notice smoke or an unusual odor coming from the machine, switch it off immediately and remove the power cord from the socket. Inform your customer support technical specialist.
-

Laser safety label

A laser safety label is attached to the outside of the machine as shown below.



For United States users

CDRH Regulations

This machine is certified as a Class 1 Laser product under the Radiation Performance Standard according to the Food, Drug and Cosmetic Act of 1990. Compliance is mandatory for Laser products marketed in the United States and is reported to the Center for Devices and Radiological Health (CDRH) of the US Food and Drug Administration of the US Department of Health and Human Services (DHHS). This means that this device does not produce hazardous laser radiation. The label shown above indicates compliance with the CDRH regulations and must be attached to laser products marketed in the United States.

CAUTION

Use of controls, adjustments or performance of procedures other than those specified in this manual may result in hazardous radiation exposure.

This is a semiconductor laser. The maximum power of the laser diode is 5 mW and the wavelength is 770-810 nm.

For users in all countries**CAUTION**

Use of controls, adjustments or performance of procedures other than those specified in this manual may result in hazardous radiation exposure.

This machine is certified as a Class 1 laser product. This means that the machine does not produce hazardous laser radiation.

This is a semiconductor laser. The maximum power of the laser diode is 5 mW and the wavelength is 770-810 nm.

For Denmark users**ADVARSEL**

Usynlig laserstråling ved åbning, når sikkerhedsafbrydere er ude af funktion. Undgå udsættelse for stråling.

Klasse 1 laser produkt der opfylder IEC60825 sikkerheds kravene.

Dansk: Dette er en halvlederlaser. Laserdiodens højeste styrke er 5 mW og bølgelængden er 770-810 nm.

For Norway users**ADVERSEL**

Dersom apparatet brukes på annen måte enn spesifisert i denne bruksanvisning, kan brukeren utsettes for usynlig laserstråling som overskrider grensen for laser klass 1.

Dette en halvleder laser. Maksimal effekt till laserdiode er 5 mW og bølgelengde er 770-810 nm.

For Finland, Sweden users

LOUKAN 1 LASERLAITE
KLASS 1 LASER APPARAT

VAROITUS!

Laitteen käyttäminen muulla kuin tässä käyttöohjeessa mainitulla tavalla saattaa altistaa käyttäjän turvallisuusluokan 1 ylittävälle näkymättömälle lasersäteilylle.

Tämä on puolijohdelaser. Laserdiodin suurin teho on 5 mW ja aallonpituus on 770 – 810 nm.

WARNING!

Om apparaten används på annat sätt än i denna bruksanvisning specificerats, kan användaren utsättas för osynlig laserstrålning, som överskrider gränsen för laserklass 1.

Det här är en halvledarlaser. Den maximala effekten för laserdioden är 5 mW och våglängden är 770 – 810 nm.

VARO!

Avattaessa ja suojalukitus ohitettaessa oletPP alttiina näkymättömälle lasersäteilylle. Älä katso säteeseen.

WARNING!

Osynlig laserstrålning när denna del är öppnad och spärren är urkopplad. Betrakta ej strålen.

Ozone release

During printer operation, a small quantity of ozone is released. This amount is not large enough to harm anyone adversely. However, be sure the room where the machine is being used has adequate ventilation, especially if you are printing a high volume of materials, or if the machine is being used continuously over a long period.

Dégagement d'ozone

L'imprimante dégage une faible quantité d'ozone durant son utilisation. Cette quantité n'est pas suffisamment importante pour être dangereuse. Cependant, veillez à ce que la pièce dans laquelle la machine soit adéquatement ventilée, surtout en cas d'impression de gros volumes ou en cas d'utilisation continue pendant un laps de temps très long.

11 Index

A

Accessories

see Optional accessories7-1

Add Printer3-2

B

Button

see Panel button6-4

C

Cleaning the printer8-10

paper feed roller8-11

Connecting the printer2-12

Consumables

storage2-5

Control panel button

see Panel button6-4

Control panel indicators

Error6-4

Ready6-4

E

Envelopes6-1

Error indicator6-4

Error messages9-12

F

Face-down output6-7

Face-down tray2-1, 6-7

Face-up output6-7

Face-up tray6-7

I

- Installing 3-21
- Installing the printer 2-5

J

- Jam
 - see Media jam 9-7

L

- Loading envelopes 6-1
- Loading paper 6-1
 - lower feeder unit 6-6
 - manual feed tray 2-8, 6-6
 - Tray 1 2-7, 6-5
 - Tray 2 6-6

M

- Maintenance 8-1
- Media jam
 - inside of the printer 9-1
 - lower feeder unit 9-7
 - manual feed tray 9-6
 - output tray 9-4
- Media type list 6-3
- Messages
 - error messages 9-12
 - service 9-13
 - status 9-12

O

- Optional accessories
 - face-up tray 7-3
 - Lower feeder unit 7-1
 - storage 2-5
- Output
 - face-down 6-7
 - face-up 6-7
- Overview of printer 2-1
 - control panel 2-4

external features	2-1
internal features	2-2
optional accessories	2-3

P

Panel button	6-4
functions	6-4
Paper jam	
see Media jam	9-7
Paper sizes	6-2
Place of installation	2-5
Power cord	2-10
Power switch	2-11
Print quality problems	9-8
Printable area	6-3
Printer control panel	
see also Control panel	2-4
Printer driver	
installation	3-1
notes on installation	3-1
uninstallation	3-31
Printer driver settings	
Device Options Setting tab	4-7
N-up	4-5
Paper tab	4-5
Quality tab	4-6
Setup tab	4-4
Windows 95/98/Me	4-1
Windows NT 4.0/2000	4-3
Windows XP	4-1
Printer driver under Windows 2000	3-6, 3-18
Printer driver under Windows 95	3-26, 3-27
Printer driver under Windows 98	3-24
Printer driver under Windows Me	3-13
Printer driver under Windows NT 4.0	3-29
Printer driver under Windows XP	3-6
Printer messages	9-11
error messages	9-12
indicator functions	9-11
service message	9-13
status messages	9-12

R

Ready indicator	6-4
Replacing drum cartridge	8-6
Replacing the toner cartridge	8-2

S

Service messages	9-13
Setting up the printer	2-7
ambient conditions	2-6
connecting the printer to a computer	2-12
manual feed tray	2-8
Space required	2-6
Status Display	
closing	5-3
environment	5-1
using	5-4
Status messages	9-12
Storage of accessories	2-5
Storage of consumables	2-5

T

Technical specification	10-1
interface cable	10-3
interface connector	10-3
lower feeder unit	10-3
Toner cartridge counter reset	8-5
Tray 2	
see lower feeder unit	6-6
Troubleshooting	9-1

U

USB device driver	
installing under Windows 2000	3-15
installing under Windows 98	3-21
installing under Windows Me	3-11
installing under Windows XP	3-2