

PagePro™ 1250W

User's Guide

1800701-001A

Trademarks

The following are registered trademarks of MINOLTA-QMS, Inc.: QMS and the MINOLTA-QMS logo. Minolta, Fine-ART, and PagePro are trademarks of Minolta Co., Ltd. Other product names mentioned in this guide may also be trademarks or registered trademarks of their respective owners.

Proprietary Statement

The digitally encoded software included with your printer is Copyrighted © 2002 by MINOLTA-QMS, Inc. All Rights Reserved. This software may not be reproduced, modified, displayed, transferred, or copied in any form or in any manner or on any media, in whole or in part, without the express written permission of MINOLTA-QMS, Inc.

Copyright Notice

This manual is Copyrighted © 2002 by MINOLTA-QMS, Inc., One Magnum Pass, Mobile, AL 36618. All Rights Reserved. This document may not be copied, in whole or part, nor transferred to any other media or language, without written permission of MINOLTA-QMS, Inc.

Manual Notice

MINOLTA-QMS, Inc. reserves the right to make changes to this manual and to the equipment described herein without notice. Considerable effort has been made to ensure that this manual is free of inaccuracies and omissions. However, MINOLTA-QMS, Inc. makes no warranty of any kind including, but not limited to, any implied warranties of merchantability and fitness for a particular purpose with regard to this manual. MINOLTA-QMS, Inc. assumes no responsibility for, or liability for, errors contained in this manual or for incidental, special, or consequential damages arising out of the furnishing of this manual, or the use of this manual in operating the equipment, or in connection with the performance of the equipment when so operated.

Contents

1 Introduction

1.1	Welcome	1-1
1.2	Roadmap of this manual	1-2
	Brief explanation of special type styles and method of presentation	1-3

2 Installing and setting up the printer

2.1	Overview of the printer	2-1
	External features	2-1
	Inside the printer	2-2
	Optional accessories	2-3
	Printer control panel	2-4
2.2	Installing your laser printer	2-5
	Place of installation	2-5
	Storage of consumables and accessories	2-5
	Ambient conditions	2-5
	Space requirements	2-6
2.3	Setting up your laser printer	2-7
	Turning the printer on and off	2-11
	Connecting the printer to a computer	2-12

3 Installing the printer driver

3.1	Minimum system requirements	3-1
3.2	Notes on installing the printer driver	3-1
	General information on the printer driver	3-1
	Information on installation using "Add Printer"	3-2
3.3	Installing the USB device driver and printer driver under Windows XP	3-2
3.4	Installing the USB device driver and printer driver under Windows Me	3-6
3.5	Installing the USB device driver and printer driver under Windows 2000	3-9
3.6	Installing the USB device driver and printer driver under Windows 98	3-13
3.7	Installing the printer driver under Windows 95	3-16

3.8	Installing the printer driver under Windows NT 4.0	3-18
3.9	Uninstalling the printer driver and USB device driver	3-20
4	Working with the printer driver	
4.1	Displaying printer driver settings	4-1
4.2	Setup tab	4-2
4.3	Paper tab	4-3
4.4	Quality tab	4-4
4.5	Device Options Setting tab	4-5
5	Working with the Status Display	
5.1	Environment	5-1
5.2	Opening the Status Display	5-1
5.3	Using the Status Display	5-2
5.4	Closing the Status Display	5-2
6	Working with the printer	
6.1	Please note the following points:	6-1
	What should I watch out for when loading paper?	6-1
	What should I watch out for when loading envelopes?	6-1
	Which sizes of paper can I use?	6-2
	What types of paper can I use?	6-3
	Printable area	6-3
6.2	Using the panel button	6-4
6.3	Loading media	6-5
6.4	Determining the direction printed sheets	6-7
7	Installing printer options	
7.1	Installing the lower feeder unit (Tray 2)	7-1
7.2	Installing the face-up tray	7-3
8	Maintaining the printer	
8.1	Replacing the toner cartridge	8-2
8.2	Replacing the drum cartridge	8-6
8.3	Cleaning the printer	8-9

9 Troubleshooting

9.1	Clearing media jams	9-1
9.2	General printing problems	9-7
9.3	Print quality problems	9-7
9.4	Printer messages	9-10
	Indicator functions	9-10
	Status message	9-11
	Error messages.....	9-11
	Service message.....	9-12

10 Appendix

10.1	Safety specifications	10-1
10.2	Technical specifications	10-1
	Printer.....	10-1
	Lower feeder unit (option)	10-3
	Parallel interface connectors and cable	10-3
	USB interface connectors and cable.....	10-3
10.3	Our concern for environmental protection	10-4
	What is an ENERGY STAR product?	10-4
10.4	CE Marking (Declaration of Conformity)	10-4
	For European users	10-4
10.5	CISPR 22 and local rules	10-4
10.6	Acoustic Noise	10-4
10.7	Safety Information	10-5
	Warning and precaution symbols.....	10-5
	Meaning of symbols	10-5
10.8	Working safely with your laser printer	10-8
	Notes on your safety and operating safety.....	10-8
	Laser safety.....	10-10
	Internal laser radiation.....	10-10
	Laser caution label.....	10-10
	Laser safety label	10-11
	For United States users	10-11
	For users in all countries	10-12
	For Denmark users	10-12
	For Norway users.....	10-12
	For Finland, Sweden ssers	10-12
	Ozone release.....	10-13
	Dégagement d'ozone	10-13

11 Index

1 Introduction

1.1 Welcome

Thank you for purchasing a PagePro 1250W.

So you can use your new laser printer effectively and achieve the best possible results, this manual provides you with information on the following topics:

- Installing the printer driver
- Working with the printer driver and Status Display
- Working with the printer
- Caring for and maintaining the printer
- Troubleshooting

Read this manual carefully before operating your printer for the first time, and always keep the manual within easy reach.

1.2 Roadmap of this manual

The following table is designed to help you find the information you need. Alternatively, to find information on a specific problem quickly and precisely, refer to the index at the end of this manual.

No.	Title of chapter	Content of chapter
1	Introduction	Overview of this manual.
2	Setting up the printer	Information on how to set up the printer as well as an introduction to its features.
3	Installing a printer driver	A step-by-step explanation of the procedure for installing a printer driver.
4	Working with the printer driver	Overview of the Windows printer drivers.
5	Working with the Status Display	Details of how to use the Status Display.
6	Working with the printer	General information on how to use your printer, including supported media sizes and types, loading media, monitoring print jobs, and canceling print jobs.
7	Installing printer options	Detailed instructions on installing printer options: lower feeder unit and face-up tray.
8	Maintaining the printer	Information on how to replace consumables and clean the printer.
9	Troubleshooting	Information on identifying and solving printer problems.
10	Specifications	Technical specifications, safety information, and regulatory information.
	Index	Index of the contents of this manual.

Brief explanation of special type styles and method of presentation

Special type styles and methods of presentation are used in this manual to highlight various circumstances. The following examples will help you recognize and deal with the most important of these.



CAUTION OR WARNING

This is a caution or warning!

A caution alerts you to damage that could result to the printer by treating it improperly while a warning alerts you to the potential for bodily harm.

- The arrow refers you to safety measures that must be taken to prevent the hazard.



If you're using the Acrobat PDF version of this guide, click this icon to play a QuickTime video clip of the procedure described in the text. Acrobat Reader and a download link to QuickTime are provided on the *Utilities and Documentation* CD-ROM.

[MENU] button on the printer driver with the description "Menu"

- Single action to be performed (there are no other steps)

1 Step 1 of a series of actions

2 Step 2 of a series of actions.

? *Help is available here.*

- The approach that is suggested here is sure to get you to your desired result.



This is a helpful tip

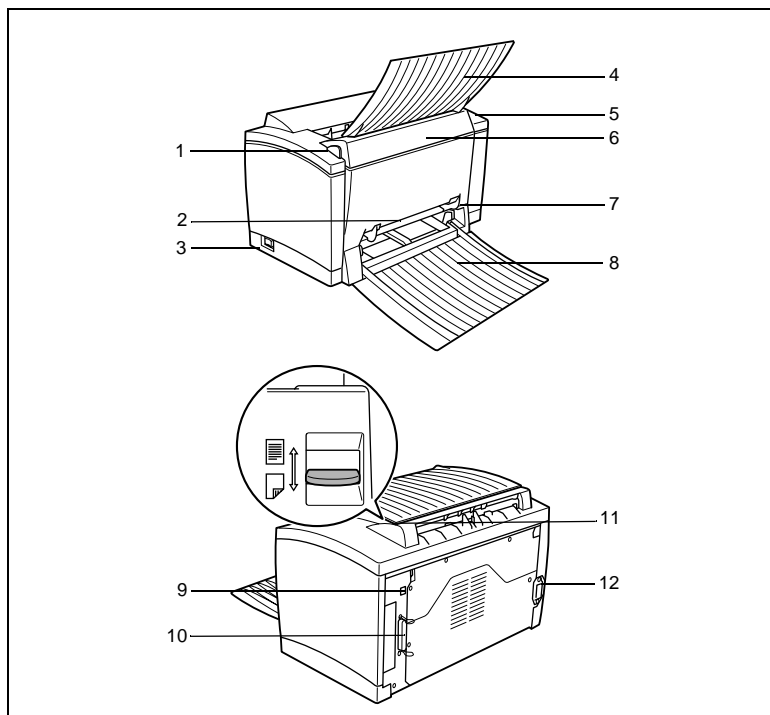
Text passages that are identified in this manner provide you with tips and tricks that make it even easier to work with the printer.

Here you can see what has to be done.

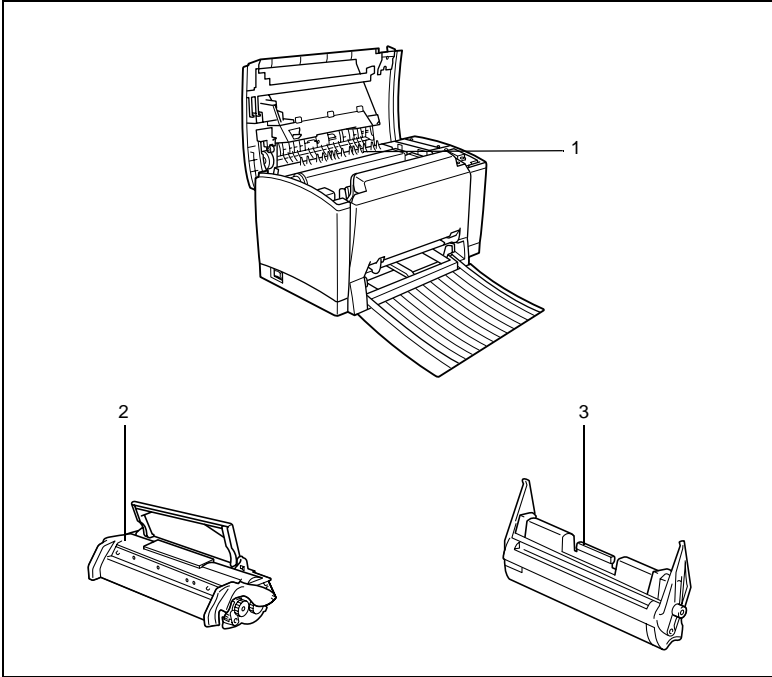
2 Installing and setting up the printer

2.1 Overview of the printer

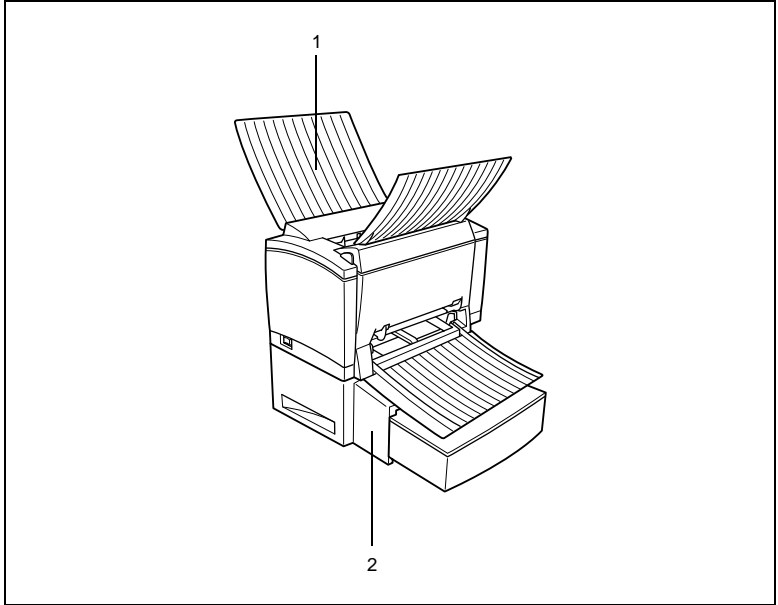
External features



No.	Description	No.	Description
1	Top cover release button	7	Paper guides for manual feed tray
2	Manual feed tray	8	Tray1 (multipurpose tray)
3	Power switch (ON/OFF)	9	USB interface connector
4	Face-down tray (printed side down)	10	Parallel interface connector
5	Control panel	11	Face-up/face-down selection switch (printed side up/down)
6	Top cover	12	Power cord socket

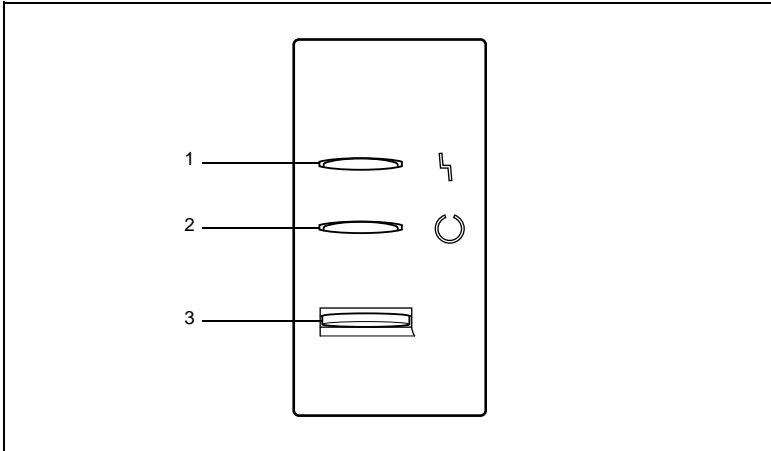
Inside the printer

No.	Description	No.	Description
1	Fusing unit	3	Drum cartridge
2	Toner cartridge		

Optional accessories

No.	Description	No.	Description
1	Face-up tray (printed side up)	2	Lower feeder unit (Tray 2) (500-sheet capacity)

Printer control panel



The control panel has two indicators and one button.

No.	Description
1	Error indicator (orange)
2	Ready indicator (green)
3	Panel button

For further information on the control panel, see chapter 6.

2.2 Installing your laser printer

Place of installation

Set up the printer in a place that is

- dry and free from dust
- on a stable surface
- well ventilated
- near an easily accessible power socket
- away from objects which might obstruct the printer's ventilation grille
- away from highly flammable items (such as curtains)
- away from splashing liquids
- away from organic gases (such as ammonia)
- away from direct sunlight
- away from severe temperature fluctuations
- away from exhaust-air from heating, ventilation, and air-conditioning systems

Storage of consumables and accessories

Printing consumables and accessories should be kept

- sealed in their original packaging
- protected from direct sunlight or heat
- protected from fluorescent light
- in a cool, dry, and dust-free place
- out of reach of children



WARNING

Toner poses a health hazard!

Toner is harmful if swallowed.

- If you swallow toner, consult a doctor immediately.
 - If you get toner on your hands, wash them immediately with cold water and soap.
-

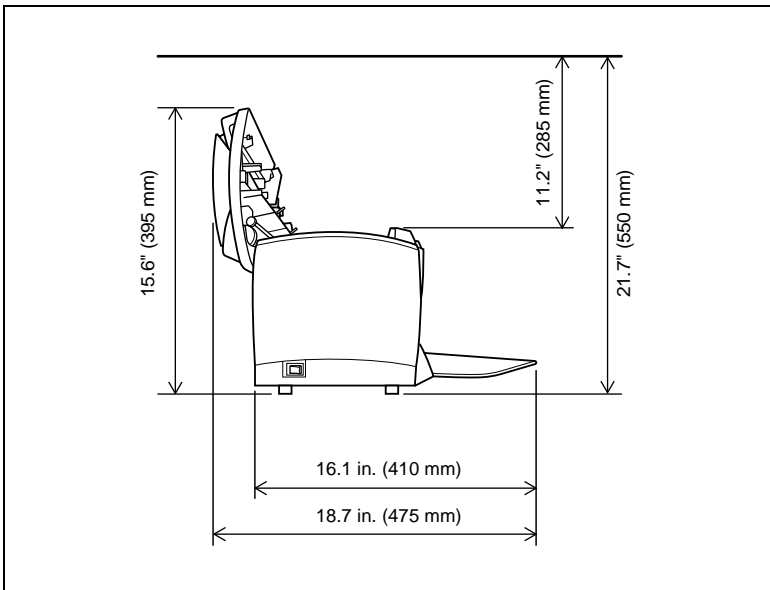
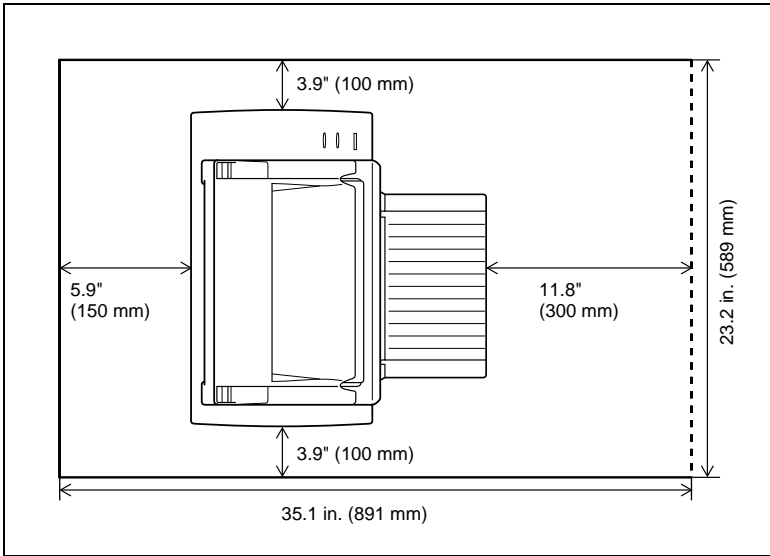
Ambient conditions

The optimum ambient conditions for your printer are as follows:

- Temperature range: 50°F–95°F/10°C–35°C with maximum fluctuations of 18°F/10°C per hour
- Humidity range: 15%–85% with maximum fluctuations of 20% per hour

Space requirements

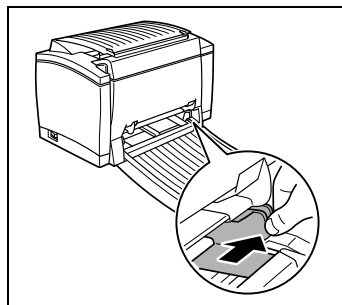
Be sure to provide enough space around the printer to ensure easy printer operation, paper and toner replacement, and maintenance.



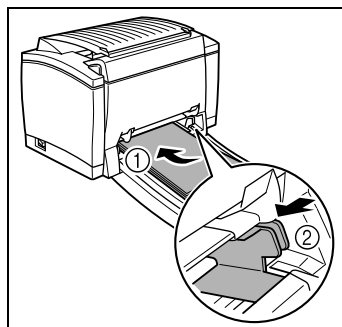
2.3 Setting up your laser printer

Loading paper in Tray 1

- 1 Lay Tray1 down flat.
- 2 Squeeze the right paper guide and open the media guides.

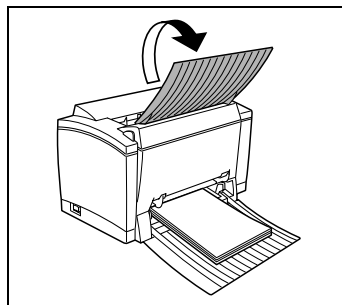


- 3 Place a stack of paper in the tray.
? *How many sheets may I place in the tray?*
→ Tray 1 has a capacity of 150 sheets of plain paper. The stack of paper should not rise above the media limit mark.

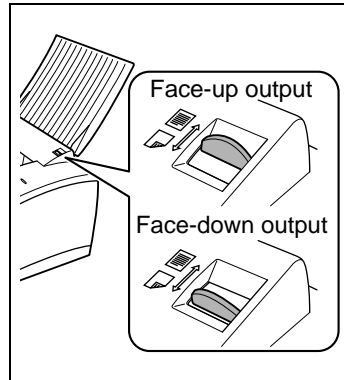


- 4 Squeeze the right paper guide and adjust the media guides so that both the left and right sides of the paper stack are secure.

- 5 Open the face-down tray.

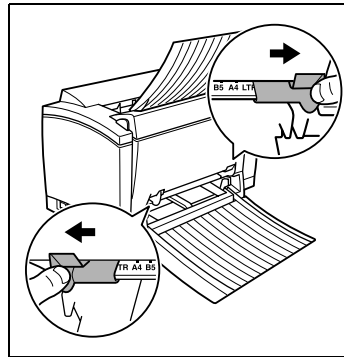


- If you installed an optional face-up tray and you want the sheets to come out face up, then open the face-up tray instead of the face-down tray, and set the face-up/face-down selection switch as shown.

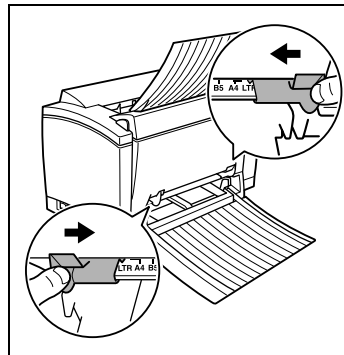


Loading media in the manual feed tray

- 1 Open the media guides.



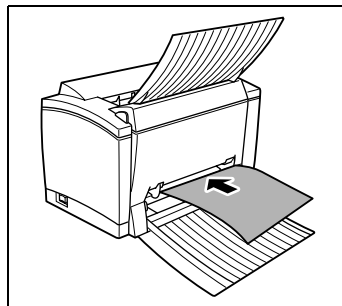
- 2 Move each media guide to the mark identifying the size of the media to be loaded. The illustration shows the media guide positions for letter-size media.



- 3 Insert a sheet of media as far as possible into the manual feed tray with the side to be printed facing up.

? *How many sheets may I place in the tray?*

- Load only one sheet of media at a time.



Connecting the power cord



WARNING

Use only the power cord shipped with the printer. Using the wrong power cord may lead to a short-circuit!

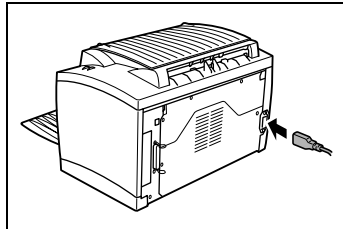
The use of a power cord of inadequate cross-section can lead to a short-circuit.

- Only use an extension cable which has a higher rating than the current consumption of the printer.
- Only use grounded cords.
- Always observe the relevant local regulations regarding the connection of electrical equipment to the main network.

The laser printer requires a non-fluctuating power supply. If necessary, ask an electrician for advice.

- ✓ Voltage: 110V - 10%, 127V + 6%, or 220-240V \pm 10%
- ✓ Frequency: 50-60Hz \pm 3Hz

- 1 Make sure that the printer's power switch is in the "O" (OFF) position.
- 2 Connect one end of the power cord to the power cord socket on the back of the printer, and plug the other end into a power outlet.



Turning the printer on and off



Note

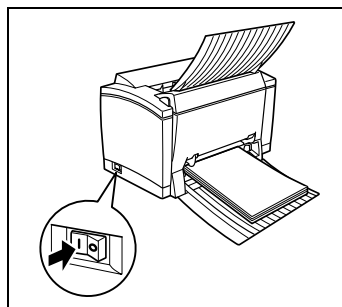
Improper handling may damage the printer!

- Never turn off the printer while a print job is in progress, the printer is receiving data from the computer (blinking green "Ready" indicator on control panel), or the printer is being reset.

- Set the power switch to the "I" (ON) position to turn on the printer.

The printer is ready to use in approximately 20 seconds. The green "Ready" indicator should be on (but not blinking) and the orange "Error" indicator off.

- Set the power switch to the "O" (OFF) position to turn off the printer.



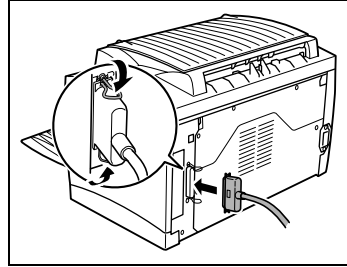
Saving energy is sensible!

When the printer has been inactive for 15 minutes, it automatically switches to the POWER SAVE mode. When the printer receives a new print job while in POWER SAVE mode, it automatically switches to the warmup phase and is ready to print within approximately 7 seconds.

Connecting the printer to a computer

Parallel interface

- 1 Turn off both the printer and the PC.
- 2 Connect one end of the interface cable to the parallel port on the PC.
- 3 Connect the other end of the interface cable to the parallel interface connector on the back of the printer. Secure the interface cable using the two clips.
- 4 Turn on the printer and then, when it's ready, turn on the PC.



? *Does the Windows operating system detect the new device?*

- If you are using Windows XP/Me/2000/98, plug-and-play printer driver installation should start automatically. Follow the instructions on the screen. See chapter 3 for more information.
- If you're using Windows XP/Me/2000/98 and plug-and-play driver installation doesn't start automatically, leave the printer on, unplug both ends of the interface cable, and then reconnect the cable. If this does not work, use the instructions in chapter 3 to install the printer driver manually.
- If you're using Windows 95/NT 4.0, use the instructions in chapter 3 to install the printer driver manually.

For technical specifications of the cable, see chapter 10.



Note

Using the wrong type of cable can damage the socket on the printer.

- Use only an IEEE 1284 type B shielded interface cable.

USB interface



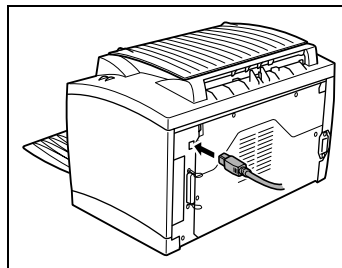
Note

Windows 95/NT4.0 do not support USB connections.

- 1 Turn off both the PC and the printer.
- 2 Turn on the PC.
- 3 Turn on the printer.
- 4 When Windows and the printer are both ready, connect one end of the interface cable to the PC's USB port .
- 5 Connect the other end of the interface cable to the USB interface connector on the back of the printer.

? *Does the Windows operating system detect the new device?*

- Plug-and-play driver installation should start automatically. Follow the instructions on the screen. See chapter 3 for more information.
- If plug-and-play driver installation doesn't start automatically, leave the printer on, unplug both ends of the interface cable, and the re-connect the cable. If this does not work, use the instructions in chapter 3 to install the printer driver manually.



For technical specifications of the cable, see chapter 10.



Note

Using the wrong type of cable can damage the socket on the printer.

- Use only a USB Revision 1.1 compliant cable for connecting the printer to your computer.

3 Installing the printer driver

3.1 Minimum system requirements

- IBM-compatible PC with a Pentium/Celeron series, AMD K6/Athlon/Duron family or compatible 200 MHz processor (300 MHz recommended)
- Windows XP/Me/2000/98/95/NT 4.0
- 16 MB RAM (Windows 98/95/NT 4.0), 32 MB RAM (Windows Me), 64 MB RAM (Windows 2000), or 128 MB RAM (Windows XP)
- 36 MB free hard disk space (20 MB for printer driver and status display, 16 MB for image processing)
- IEEE 1284 Type B parallel port or USB Revision 1.1 port
- CD-ROM drive

3.2 Notes on installing the printer driver

The installation program is designed so that even people not accustomed to working with computers can easily install a printer driver. You will be led step-by-step through the installation process. All you need to do is follow the installation program.

Before you begin the installation, you should know the following information:

- What operating system is running on your computer (for example, Windows XP)?
- What is the letter of your CD-ROM drive (for example, D)?
- Which optional accessories are installed on your printer (for example, a lower feeder unit)?
- Is your printer connected directly to your computer via a parallel interface cable or a USB cable?

General information on the printer driver

The printer driver is delivered on a CD-ROM along with the printer.



No CD-ROM drive?

You can download the printer driver from the Internet. You can find the latest version of the printer driver at <http://www.minolta-qms.com> (choose "Online Help & Drivers").

Information on installation using “Add Printer”

We strongly recommend that you install the printer driver using the Installer (“setup.exe” file). However, if you do install the printer driver using the Add Printer wizard, note the following points:

- The dialog box for installing options is not displayed. Adjust the additional options after you have completed the installation in the printer driver.
- The Status Display and printer uninstaller utility will not be installed.
- A folder for storing the form overlay data is not created.

3.3 Installing the USB device driver and printer driver under Windows XP

When connecting the printer to your PC with a USB cable, install the USB device driver according to the following instructions before installing the printer driver.

If you have connected the printer to your PC with a parallel cable, skip to the following section, “To install the printer driver using the Installer under Windows XP,” on page 3-3.

To install the USB Device Driver under Windows XP

- 1 Turn on your PC.
- 2 Turn on the printer.
- 3 When Windows and the printer are both ready, insert the CD-ROM that came with your printer into your PC’s CD-ROM drive.
- 4 Connect the printer to the PC with the USB cable (see chapter 2) to display the Found New Hardware Wizard dialog box.
- 5 Choose [Cancel] to close the Found New Hardware Wizard dialog box.
- 6 Choose [start], and then choose “My Computer.”
- 7 In the System Tasks list choose “View system information.”
- 8 Choose the “Hardware” tab of the System Properties dialog, and then choose the [Device Manager...] button.
- 9 Under “Universal Serial Bus controllers” double-click “USB Printing Support.” The USB Printing Support Properties dialog box displays.

- 10 Choose the “Driver” tab of the USB Printing Support Properties dialog box, and then choose [Update Driver...].
- 11 Choose the “Install from a list or specific location (Advanced)” option button, and then choose [Next].
- 12 When the next dialog box appears, check the “Don’t search. I will choose the driver to install” box, and then choose [Next].
- 13 Choose [Have Disk...].
- 14 Choose [Browse...].
- 15 Browse the CD-ROM and navigate to “Win98USB.” Then, choose [Open].
- 16 Choose [OK], and then choose [Next].
- 17 Follow the instructions on the screen to complete the installation.
- 18 Choose [Finish] to finish the installation.

This completes the installation of the USB device driver for the PagePro 1250W printer. Now go on to the following section to install the printer driver.

To install the printer driver using the Installer under Windows XP

The CD-ROM that came with your printer starts automatically after being loaded into the CD-ROM drive of your PC. You are guided step-by-step through the installation procedure.

- 1 With Windows running, insert the CD-ROM in the CD-ROM drive of your PC.

The installation program starts automatically.

? *What if the installation program does not start up automatically?*

→ Browse to the CD-ROM directory. Then double-click “setup.exe” to start the installation program.
- 2 Follow the instructions for the installation program.

Once the printer driver has been successfully installed, the “MINOLTA-QMS PagePro 1250W” printer icon displays in the Printers dialog box.
- 3 Remove the CD-ROM from your PC’s CD-ROM drive. This completes the installation of the printer driver.

To install the printer driver using Plug-and-Play under Windows XP

For a simple way of installing the printer driver, we recommend using the Installer (see the previous section). However, there are other ways of installing the printer driver without using the installer. This section describes Plug-and-Play installation.

Parallel

1 After connecting the printer to your PC with the parallel cable, turn on the printer.

2 Turn on the PC. After Windows starts, the Found New Hardware Wizard dialog displays.

3 Insert the CD-ROM that came with your printer into your PC's CD-ROM drive, and then choose [Next]. Check the "Install from a list or specific location (Advanced)" option button, and then click [Next].

4 Check the "Don't search, I will choose the driver to install" option button, and then choose [Next].

5 Select "Printers" in the Common hardware types list, and then choose [Next].

6 Choose [Have Disk], and then choose [Browse].

7 Browse the CD-ROM and navigate to "Win2000."

8 Choose [Open].

9 Choose [OK], and then choose [Next].

10 Follow the instructions on the screen to complete the installation.

11 Check that the "MINOLTA-QMS PagePro 1250W" printer icon is displayed in the Printers dialog box.

12 Remove the CD-ROM from your PC's CD-ROM drive. This completes the installation of the printer driver.

USB

1 Turn on the PC, and then turn on the printer.

2 When Windows and the printer are both ready, connect the printer to the PC with the USB cable (see chapter 2). The Found New Hardware Wizard dialog box displays.

To install the printer driver using the Add Printer Wizard under Windows XP

- 1 Turn on the PC.
- 2 After Windows starts, insert the CD-ROM that came with your printer into your PC's CD-ROM drive.
- 3 Choose [start], and then choose "Control Panel."
- 4 In "Pick a category" choose "Printers and Other Hardware."
- 5 In "Pick a task" choose [Add a printer].
- 6 Choose [Next].
- 7 Select "Local printer attached to this computer."
 - o Do not check the "Automatically detect and install my Plug and Play printer" box.
- 8 Choose [Next].
- 9 Choose the "Use the following port:" button, select the port you want to use, and then choose [Next].
If you are using a parallel connection, select "LPTx:" (x=1, 2, etc.).
If you are using a USB connection, select "USB001."
- 10 Choose [Have Disk], and then choose [Browse].
- 11 Browse the CD-ROM and navigate to "Win2000."
- 12 Choose [Open].
- 13 Choose [OK], and then choose [Next].
- 14 Follow the instructions on the screen to complete the installation.
- 15 Check that the "MINOLTA-QMS PagePro 1250W" printer icon is displayed in the Printers dialog box.
- 16 Remove the CD-ROM from your PC's CD-ROM drive. This completes the installation of the printer driver.

3.4 Installing the USB device driver and printer driver under Windows Me

When connecting the printer to your PC with a USB cable, install the USB device driver according to the following instructions before installing the printer driver.

If you have connected the printer to your PC with a parallel cable, skip to the following section, "To install the printer driver using the Installer under Windows Me," on page 3-7.

To install the USB device driver under Windows Me

- 1 Turn on your PC.
- 2 Turn on the printer.
- 3 When Windows and the printer are both ready, insert the CD-ROM that came with your printer into your PC's CD-ROM drive.
- 4 Connect the printer to the PC with the USB cable (see chapter 2) to display the Add New Hardware Wizard dialog box.
- 5 Check the "Specify the location of the driver (Advanced)" option button, and then choose [Next].
- 6 Check the "Search for the best driver for your device. (Recommended)." option button, check the "Specify a location" box, and then choose [Browse...].
- 7 Browse the CD-ROM and navigate to "Win98USB."
- 8 Choose [OK].
- 9 Follow the instructions that appear on the screen to complete the installation.
- 10 Choose [Finish] to finish the installation.
- 11 This completes the installation of the USB device driver for the MINOLTA-QMS PagePro 1250W printer. Now go to the following section to install the printer driver.

To install the printer driver using the Installer under Windows Me

The CD-ROM that came with your printer starts automatically after being loaded into the CD-ROM drive of your PC. You are guided step-by-step through the installation procedure.

- 1 With Windows running, insert the CD-ROM that came with your printer into your PC's CD-ROM drive.

The installation program starts automatically.

? *What if the installation program does not start up automatically?*

→ Browse the CD-ROM and double-click "setup.exe" to start the installation program.

- 2 Follow the instructions for the installation program.

Once the printer driver has been successfully installed, the "MINOLTA-QMS PagePro 1250W" printer icon displays in the Printers dialog box.

- 3 Remove the CD-ROM from your PC's CD-ROM drive. This completes the installation of the printer driver.

To install the printer driver using Plug-and-Play under Windows Me

For a simple way of installing the printer driver, we recommend using the Installer (see the previous section). However, there are other ways of installing the printer driver without using the installer.

This section describes Plug-and-Play installation with a parallel connection.

- 1 After connecting the printer to your PC with the parallel cable, turn on the printer.
- 2 Turn on the PC. After Windows starts, the Add New Hardware Wizard dialog displays.
- 3 Insert the CD-ROM that came with your printer into your PC's CD-ROM drive, click the "Specify the location of the driver (Advanced)" button, and then choose [Next].
- 4 Choose the "Search for the best driver for your device. (Recommended)." option button, check the "Specify a location:" box, and then choose [Browse].
- 5 Browse the CD-ROM and navigate to "Win9x."
- 6 Choose [OK], and then choose [Next] twice.

- 7 Follow the instructions on the screen to complete the installation.
- 8 Check that the "MINOLTA-QMS PagePro 1250W" printer icon is displayed in the Printers dialog box.
- 9 Remove the CD-ROM from your PC's CD-ROM drive. This completes the installation of the printer driver.

To install the printer driver using the Add Printer Wizard under Windows Me

- 1 Turn on the PC.
- 2 After Windows starts, insert the CD-ROM that came with your printer into your PC's CD-ROM drive.
- 3 Choose [Start], point to "Settings," and then choose "Printers."
- 4 Double-click the "Add Printer" icon.
- 5 Choose [Next].
- 6 Select "Local Printer."
- 7 Choose [Next].
- 8 Choose [Have Disk], and then choose [Browse].
- 9 Browse the CD-ROM and navigate to "Win9x."
- 10 Choose [OK].
- 11 Choose [OK], and then choose [Next].
- 12 Select the appropriate port, and then choose Next.
If you are using a parallel connection, select "LPTx:" (x=1, 2, etc.).
If you are using a USB connection, select "USB001:"
- 13 Follow the instructions on the screen to complete the installation.
- 14 Check that the "MINOLTA-QMS PagePro 1250W" printer icon is displayed in the Printers dialog box.
- 15 Remove the CD-ROM from your PC's CD-ROM drive. This completes the installation of the printer driver.

3.5 Installing the USB device driver and printer driver under Windows 2000

When connecting the printer to your PC with a USB cable, install the USB device driver according to the following instructions before installing the printer driver.

If you have connected the printer to your PC with a parallel cable, skip to the following section, "To install the printer driver using the Installer under Windows 2000," on page 3-10.

To install the USB device driver under Windows 2000

If the printer is connected to the computer using a USB cable, USB Printing Support may automatically be incorporated, depending on the operating system. In order to activate all functions of the PagePro 1250W, the USB device driver for PagePro 1250W must be installed.

Install the USB device driver for PagePro 1250W according to the following procedure.

- 1 Turn on your PC.
- 2 Turn on the printer.
- 3 When Windows and the printer are both ready, insert the CD-ROM that came with your printer into your PC's CD-ROM drive.
- 4 Connect the printer to the PC with the USB cable (see chapter 2) to display the Found New Hardware Wizard dialog box.
- 5 Choose [Cancel] to close the Found New Hardware Wizard dialog box.
- 6 Right-click the "My Computer" icon on the desktop, and then choose "Properties" in the shortcut menu that appears. The System Properties dialog box displays.
- 7 Choose the "Hardware" tab of the System Properties dialog, and then choose the [Device Manager...] button.
- 8 Under "Universal Serial Bus controllers" double-click "USB Printing Support." The USB Printing Support Properties dialog box displays.
- 9 Choose the "Driver" tab of the USB Printing Support Properties dialog box, and then choose [Update Driver...].
- 10 Choose [Next] to display the next dialog box.

- 11 Check the “Search a suitable driver for my device (recommended)” option button, and then choose [Next].
- 12 When the next dialog box displays, check the “Specify a location” box, and then choose [Next].
- 13 Choose [Browse...].
- 14 Browse the CD-ROM and navigate to “Win98USB.”
- 15 Choose [Open].
- 16 Choose [OK], and then choose [Next].
- 17 Follow the instructions on the screen to complete the installation.
- 18 Choose [Finish] to finish the installation.

This completes the installation of the USB device driver for the PagePro 1250W printer. Now go on to the following section to install the printer driver.

To install the printer driver using the Installer under Windows 2000

The CD-ROM that came with your printer starts automatically after being loaded into the CD-ROM drive of your PC. You are guided step-by-step through the installation procedure.

- 1 With Windows running, insert the CD-ROM that came with your printer into your PC’s CD-ROM drive.
The installation program starts automatically.
? *What if the installation program does not start up automatically?*
→ Browse to the CD-ROM directory. Then double-click “setup.exe” to start the installation program.
- 2 Follow the instructions for the installation program.
Once the printer driver has been successfully installed, the “MINOLTA-QMS PagePro 1250W” printer icon displays in the Printers dialog box.
- 3 Remove the CD-ROM from your PC’s CD-ROM drive. This completes the installation of the printer driver.

To install the printer driver using Plug-and-Play under Windows 2000

For a simple way of installing the printer driver, we recommend using the Installer (see the previous section). However, there are other ways of installing the printer driver without using the installer. This section describes Plug-and-Play installation.

Parallel

1 After connecting the printer to your PC with the parallel cable, turn on the printer.

2 Turn on the PC. After Windows starts, the Found New Hardware Wizard dialog displays.

3 Insert the CD-ROM that came with your printer into your PC's CD-ROM drive, and then choose [Next].

4 Check the "Display a list of the known drivers for this device so that I can choose a specific driver" option button, and then choose [Next].

5 Choose "Printers," and then choose [Next].

6 Choose [Have Disk...], and then choose [Browse...].

7 Browse the CD-ROM and navigate to "Win2000."

8 Choose [Open].

9 Choose [OK], and then choose [Next].

10 Follow the instructions on the screen to complete the installation.

11 Check that the "MINOLTA-QMS PagePro 1250W" printer icon is displayed in the Printers dialog box.

12 Remove the CD-ROM from your PC's CD-ROM drive. This completes the installation of the printer driver.

USB

1 Turn on the PC, and then turn on the printer.

2 When Windows and the printer are both ready, connect the printer to the PC with the USB cable (see chapter 2). The Found New Hardware Wizard dialog box displays.

To install the printer driver using the Add Printer Wizard under Windows 2000

- 1 Turn on the PC
- 2 After Windows starts, insert the CD-ROM that came with your printer into your PC's CD-ROM drive.
- 3 Choose [Start], point to "Settings," and then choose "Printers."
- 4 Double-click the "Add Printer" icon.
- 5 Click [Next].
- 6 Select "Local Printer."
 - Do not check the "Automatically detect and install my Plug and Play printer" box.
- 7 Choose [Next].
- 8 Choose the "Use the following port:" button, select the port you want to use, and then choose [Next].
If you are using a parallel connection, select "LPTx:" (x=1, 2, etc.).
If you are using a USB connection, select "USB001."
- 9 Choose [Have Disk], and then choose [Browse].
- 10 Browse the CD-ROM and navigate to "Win2000."
- 11 Choose [Open].
- 12 Choose [OK], and then choose [Next].
- 13 Follow the instructions on the screen to complete the installation.
- 14 Check that the "MINOLTA-QMS PagePro 1250W" printer icon is displayed in the Printers dialog box.
- 15 Remove the CD-ROM from your PC's CD-ROM drive. This completes the installation of the printer driver.

3.6 Installing the USB device driver and printer driver under Windows 98

When connecting the printer to your PC with a USB cable, install the USB device driver according to the following instructions before installing the printer driver.

If you have connected the printer to your PC with a parallel cable, skip to the following section, "To install the printer driver using the Installer under Windows 98," on page 3-14.

To install the USB device driver under Windows 98

- 1 Turn on your PC.
- 2 Turn on the printer.
- 3 When Windows and the printer are both ready, insert the CD-ROM that came with your printer into your PC's CD-ROM drive.
- 4 Connect the printer to the PC with the USB cable (see chapter 2) to display the Add New Hardware Wizard dialog box.
- 5 Choose [Next] to display the next dialog box.
- 6 Check the "Search for the best driver for your device. (Recommended)." option button, and then choose [Next].
- 7 When the next dialog box appears, check the "Specify a location" box, and then choose [Browse...].
- 8 Browse the CD-ROM and navigate to "Win98USB."
- 9 Choose [OK].
- 10 Follow the instructions on the screen to complete the installation.
- 11 Choose [Finish] to finish the installation.
- 12 This completes the installation of the USB device driver for the PagePro 1250W printer. Now go to the following section to install the printer driver.

To install the printer driver using the Installer under Windows 98

The CD-ROM that came with your printer starts automatically after being loaded into the CD-ROM drive of your PC. You are guided step-by-step through the installation procedure.

- 1 With Windows running, insert the CD-ROM in the CD-ROM drive of your PC.

The installation program starts automatically.

? *What if the installation program does not start up automatically?*

→ In Windows Explorer browse to the CD-ROM directory. Then double-click "setup.exe" to start the installation program.

- 2 Follow the instructions for the installation program.

Once the printer driver has been successfully installed, the "MINOLTA-QMS PagePro 1250W" printer icon displays in the Printers dialog box.

- 3 Remove the CD-ROM from your PC's CD-ROM drive. This completes the installation of the printer driver.

To install the printer driver using Plug-and-Play under Windows 98

For a simple way of installing the printer driver, we recommend using the Installer (see the previous section). However, there are other ways of installing the printer driver without using the Installer.

This section describes Plug-and-Play installation with a parallel connection.

- 1 After connecting the printer to your PC with the parallel cable, turn on the printer.
- 2 Turn on the PC. After Windows starts, the Add New Hardware Wizard dialog box displays.
- 3 Insert the CD-ROM that came with your printer into your PC's CD-ROM drive, and then choose [Next].
- 4 Choose the "Search for the best driver for your device. (Recommended)." button, and then choose [Next].
- 5 Check the "Specify a location:" box, and then choose [Browse...].
- 6 Browse the CD-ROM and navigate to "Win9x."

- 7 Choose [OK], and then choose [Next] twice.
- 8 Follow the instructions on the screen to complete the installation.
- 9 Check that the “MINOLTA-QMS PagePro 1250W” printer icon is displayed in the Printers dialog box. To display the Printers dialog box, choose [Start], point to [Settings], and then choose [Printers].
- 10 Remove the CD-ROM from your PC’s CD-ROM drive. This completes the installation of the printer driver.

To install the printer driver using the Add Printer Wizard under Windows 98

- 1 Turn on the PC
- 2 After Windows starts, insert the CD-ROM that came with your printer into your PC’s CD-ROM drive.
- 3 Choose [Start], point to “Settings,” and then choose “Printers.”
- 4 Double-click the “Add Printer” icon.
- 5 Click [Next].
- 6 Select “Local Printer.”
- 7 Choose [Next].
- 8 Choose [Have Disk], and then choose [Browse].
- 9 Browse the CD-ROM and navigate to “Win9x.”
- 10 Choose [OK].
- 11 Choose [OK], and then choose [Next].
- 12 Select the appropriate port, and then choose [OK].
If you are using a parallel connection, select “LPTx:” (x=1, 2, etc.).
If you are using a USB connection, select “USB001.”
- 13 Follow the instructions on the screen to complete the installation.
- 14 Check that the “MINOLTA-QMS PagePro 1250W” printer icon is displayed in the Printers dialog box.
- 15 Remove the CD-ROM from your PC’s CD-ROM drive. This completes the installation of the printer driver.

3.7 Installing the printer driver under Windows 95

To install the printer driver using the Installer under Windows 95

The CD-ROM that came with your printer starts automatically after being loaded into the CD-ROM drive of your PC. You are guided step-by-step through the installation procedure.

- 1 With Windows running, insert the CD-ROM in the CD-ROM drive of your PC.

The installation program starts automatically.

? *What if the installation program does not start up automatically?*

- In Windows Explorer browse to the CD-ROM directory. Then double-click "setup.exe" to start the installation program.

- 2 Follow the instructions for the installation program.

Once the printer driver has been successfully installed, the "MINOLTA-QMS PagePro 1250W" printer icon displays in the Printers dialog box.

- 3 Remove the CD-ROM from your PC's CD-ROM drive. This completes the installation of the printer driver.

To install the printer driver using Plug-and-Play under Windows 95

For a simple way of installing the printer driver, we recommend using the Installer (see the previous section). However, there are other ways of installing the printer driver without using the Installer.

This section describes Plug-and-Play installation with a parallel connection. Windows 95 does not support USB connections.

- 1 After connecting the printer to your PC with the parallel cable, turn on the printer.
- 2 Turn on the PC. After Windows starts, the Update Device Driver Wizard dialog box displays.
- 3 Insert the CD-ROM that came with your printer into your PC's CD-ROM drive, and then choose [Next].
- 4 Choose [Other Locations], and then choose [Browse].
- 5 Browse the CD-ROM and navigate to "Win9x."
- 6 Choose [OK].

- 7 Follow the instructions on the screen to complete the installation.
- 8 Check that the “MINOLTA-QMS PagePro 1250W” printer icon is displayed in the Printers dialog box.
- 9 Remove the CD-ROM from your PC’s CD-ROM drive. This completes the installation of the printer driver.

To install the printer driver using the Add Printer Wizard under Windows 95

- 1 Turn on the PC.
- 2 After Windows starts, insert the CD-ROM that came with your printer into your PC’s CD-ROM drive.
- 3 Choose [Start], point to “Settings,” and then choose “Printers.”
- 4 Double-click the “Add Printer” icon.
- 5 Choose [Next].
- 6 Select “Local Printer.”
- 7 Choose [Next].
- 8 Choose [Have Disk], and then choose [Browse].
- 9 Browse the CD-ROM and navigate to “Win9x.”
- 10 Choose [OK] twice, and then choose [Next].
- 11 Follow the instructions on the screen to complete the installation
- 12 Check that the “MINOLTA-QMS PagePro 1250W” printer icon is displayed in the Printers dialog box.
- 13 Remove the CD-ROM from your PC’s CD-ROM drive. This completes the installation of the printer driver.

3.8 Installing the printer driver under Windows NT 4.0

To install the printer driver using the Installer under Windows NT 4.0

The CD-ROM that came with your printer starts automatically after being loaded into the CD-ROM drive of your PC. You are guided step-by-step through the installation procedure.

- 1 With Windows running, insert the CD-ROM in the CD-ROM drive of your PC.

The installation program starts automatically.

? *What if the installation program does not start up automatically?*

- In Windows Explorer browse to the CD-ROM directory. Then double-click "setup.exe" to start the installation program.

- 2 Follow the instructions for the installation program.

Once the printer driver has been successfully installed, the "MINOLTA-QMS PagePro 1250W" printer icon displays in the Printers dialog box.

- 3 Remove the CD-ROM from your PC's CD-ROM drive. This completes the installation of the printer driver.

To install the printer driver using the Add Printer Wizard under Windows NT 4.0

For a simple way of installing the printer driver, we recommend using the Installer (see the previous section). However, there are other ways of installing the printer driver without using the Installer.

This section describes Plug-and-Play installation with a parallel connection. Windows NT 4.0 does not support USB connections.

- 1 Turn on the PC.
- 2 After Windows starts, insert the CD-ROM that came with your printer into your PC's CD-ROM drive.
- 3 Choose [Start], point to "Settings," and then choose "Printers."
- 4 Double-click the "Add Printer" icon.
- 5 Select "My Computer."
- 6 Choose [Next].

- 7 Select the appropriate port and then choose [Next].
- 8 Choose [Have Disk...], and then choose [Browse...].
- 9 Browse the CD-ROM and navigate to "WinNT4."
- 10 Choose [Open].
- 11 Choose [OK], and then choose [Next].
- 12 Follow the instructions on the screen to complete the installation.
- 13 Check that the "MINOLTA-QMS PagePro 1250W" printer icon is displayed in the Printers dialog box.
- 14 Remove the CD-ROM from your PC's CD-ROM drive. This completes the installation of the printer driver.

3.9 Uninstalling the printer driver and USB device driver

This section describes how to uninstall the PagePro 1250W printer driver when necessary.

**Note**

If the uninstallation program is used to remove the printer driver, the USB device driver is also removed.

**Note**

If you used Add Printer to install the printer driver, there is no uninstaller utility. To remove the printer, select it and delete it in the Printers folder.

**Note**

The screen images that appear in this section show the examples of uninstallation under Windows 98. Your screen may differ slightly.

To uninstall the printer driver under Windows XP

- 1 Choose the [Start] button, and then choose “Control Panel.”
- 2 In “Pick a category” choose “Add or remove Programs” to open the Add or Remove Programs dialog box.
- 3 Select “MINOLTA-QMS PagePro 1250W,” and then choose [Change/Remove] to uninstall the printer driver.
- 4 Select “MINOLTA-QMS PagePro 1250W” in the Uninstall dialog box.
- 5 Choose [Uninstall] to proceed with the uninstallation or [Cancel] to abort.
- 6 Choose [Yes] to restart the PC.

**Note**

If is recommended that you restart your computer after uninstallation.

To uninstall the printer driver under Windows Me/2000/98/95/NT 4.0

- 1 Choose the [Start] button, point to [Settings], and then choose [Control Panel].
- 2 Double-click the “Add/Remove Programs” icon in the Control Panel dialog box to open the Add/Remove Programs Properties dialog box.
- 3 For Windows Me/98/95/NT 4.0, select “MINOLTA-QMS PagePro 1250W,” and then choose [Add/Remove] to uninstall the printer driver. For Windows 2000, select “MINOLTA-QMS PagePro 1250W,” and then choose [Change/Remove] to uninstall the printer driver.
- 4 Select “MINOLTA-QMS PagePro 1250W” in the Uninstall dialog.
- 5 Choose [Uninstall] to proceed with the uninstallation or [Cancel] to abort.
- 6 After the PagePro 1250W printer driver has been removed, choose [OK].
- 7 Choose [Yes] to close the window.

**Note**

It is recommended that you restart your computer after uninstallation.

4 Working with the printer driver

4.1 Displaying printer driver settings

Displaying settings under Windows XP

- 1 From the Start menu, choose Control Panel.
- 2 In Pick a Category choose Printers and Other Hardware.
- 3 In Pick a task choose View installed printers or fax printers.
- 4 In the Printers and Faxes dialog box, select the MINOLTA-QMS PagePro 1250W printer icon.
- 5 To display the printer driver settings, from the File menu choose Printing Preferences...

Displaying settings in Windows Me/98/95

- 1 From the Start menu, choose Settings and then Printers to display the Printers directory.
- 2 Select the MINOLTA-QMS PagePro 1250W printer icon.
- 3 Display the printer driver settings:
 - **Windows Me/98/95**—From the File menu choose Properties, and then choose the --> 32-bit Driver Setup tab.

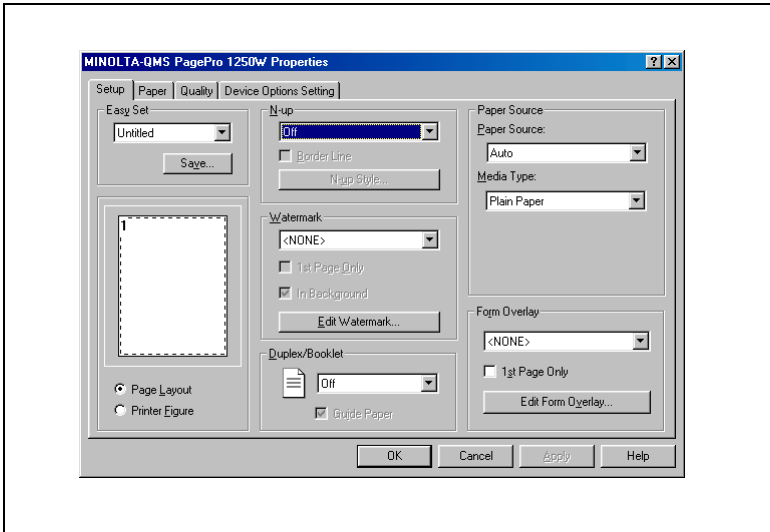


The operating system also uses tabs!

The “General” and “Details” tabs are automatically determined by the operating system and are therefore not described in this manual.

- **Windows 2000**—From the File menu choose Printing Preferences.
- **Windows NT 4.0**—From the File menu choose Document Defaults. A window similar to the Windows 2000 window displays.

4.2 Setup tab



The Setup tab allows you to

- Print several pages of a document on the same page (n-up printing)
- Provide a watermark on printed documents
- Design custom watermarks
- Specify manual duplex printing
- Specify paper feed from different trays
- Define the type of paper/media
- Print using a form overlay
- Create/edit a form overlay

Refer to the printer driver's online help for information on all of these functions.

