

FEATURES

The horizontal and vertical scale bars marked on the table area are calibrated in centimetres (4). The angular and photographic formats printed on the table are meant as a guideline only (5). The machines are provided with a pressed steel blade and a guard (1). The adjustable backstop (6) can be moved along the paper stop (8) and used as a help to square up the material before cutting. To move the backstop, depress the red button (7) and slide it along the scale bar. Release the red button to lock it into place.

The 533 / 534 is able to cut up to 15 sheets of 70gsm paper (equivalent to 13 sheets of A4 copy paper), card and other materials in one pass. The maximum capacity is 1.5mm.

Do not attempt to exceed this capacity as damage to the machine may result. The capacity indicated is meant as a guideline only and may be affected by the quality or consistency of items being cut. Please contact your Dahle service department for advice if you have any doubts concerning the ability of the machine to cut any particular material.

OPERATING INSTRUCTIONS FOR DAHLE 533 / 534 OFFICE GUILLOTINE

SAFETY

All Dahle guillotines are individually checked for correct operation before distributed.

When using the guillotine, please obey all regulations governing the operation of guillotines and ensure that all safety features are working correctly. Before use, always test that the safety guard is firmly in place and operates satisfactorily, and that the blade will not fall under its own weight.

THE GUARD PROVIDED WITH THIS MACHINE MUST BE FITTED BEFORE OPERATION.

It is an offence under the Offices, Shops and Railways Premises Act to use, or to allow the use of a guillotine, which does not have its guard in place.

On condition that the guard included is fitted accordingly to the instructions below, the machine will meet the requirements of BS 5498:1977.

DO NOT TOUCH THE EDGE OF THE BLADE WITH YOUR HAND UNDER ANY CIRCUMSTANCES!

FITTING THE GUARD

Before mounting the guard, the blade must be placed in the closed position.

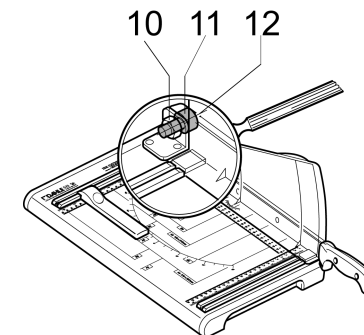
Now attach the guard (1) by fitting the snap lugs (2) simultaneously into the cut-outs of the table (3).

NEVER USE THE GUILLOTINE WHEN THE GUARD IS NOT IN PLACE.

OPERATING THE GUILLOTINE

Raise the blade to the top of the guard and insert the material to be cut underneath the guard (1). Push the material through till the line that you wish to cut is aligned with the cutting edge of the table area. Use the scale bar and backstop as a guide to ensure that the material is set square to the blade before cutting. Press down firmly on the guard (1) to ensure the material is held securely in position. For a good quality cut, even with the thinnest material it is advisable to lower the blade gently and evenly. The scale bars and table markings can be used to help to achieve an accurate cut.

CAUTION



The guillotine blade should never descend by itself. If it moves too easily, it can be adjusted with the bolt assembly located at the fulcrum (12). In order to do so, remove the cover (9) by pulling it forward. Then tighten the hex nut (10) and the screw (11) in a counter-action, thus adjusting the pressure of the upper blade against the lower one. After that put the cover (9) back in place.

For technical advice concerning this product or information concerning service please contact the Dahle customer service department:

BDS Supreme
Ford Airfield Industrial Estate
Ford, Arundel
West Sussex
United Kingdom
BN18 OHY

www.bdssupreme.com
sales@bdssupreme.com
Tel: +44 (0) 1903 73 10 40
Fax: +44 (0) 1903 73 10 80

www.dahle.de
dahle@dahle.de
Tel: +49 (0)9561 27 80
Fax: +49 (0)9561 27 83 33